

# Submittal Data Sheet

## 1.3 RT (H,Y)IFC015B21S

## Floor Concealed

Job Name:		Location:	
Purchaser:		Order No:	
Engineer:			
Submitted To:		Approval:	Construction:
Submitted By:		Date:	
Unit Designation:		Schedule No:	Model No:



### FEATURES

- 8.7 in (220mm) depth preserves room space
- 24.8 in height leaves ample window space
- Ideal for perimeter zone air

Model		(H,Y)IFC015B21S	
Indoor Unit Power Supply		AC 1Phase, 208/230V, 60Hz	
Nominal Cooling Capacity *1	Btu/h (kW)	15,000 (4.4)	
Nominal Heating Capacity *1	Btu/h (kW)	17,000 (5.0)	
Sound Pressure Level (Overall A Scale)	dB	48-43-36	
Outer Dimensions			
Height	in. (mm)	24-7/16 (620)	
Width	in. (mm)	48-1/8 (1223)	
Depth	in. (mm)	8-11/16 (220)	
Net Weight	lbs (kg)	68 (31)	
Refrigerant		R410A	
Indoor Fan			
Air Flow Rate (Hi-Me-Lo)	cfm (m <sup>3</sup> /min)	565-494-388 (16-14-11)	
External Pressure			
	in.W.G (Pa)	0.0 (0)	
Motor Nominal Output	W	45	
Min Circuit Amps	A	0.9	
Maximum Fuse Amps	A	15	
Connections			
Refrigerant Piping		Flare-Nut Connection (with Flare Nuts)	
Liquid Line	in. (mm)	1/4 (6.35)	
Gas Line	in. (mm)	1/2 (12.70)	
Condensate Drain			
OD	in. (mm)	1-1/4 (32)	
ID	in. (mm)	31/32 (25)	

#### NOTES:

\*1. Nominal capacity is based on combinations within the VRF system under the following conditions:

##### Cooling Operation Conditions

Indoor Air Inlet Temperature: 80°F DB (26.7°C DB)  
67°F WB (19.4°C WB)  
Outdoor Air Inlet Temperature: 95°F DB (35.0°C DB)

##### Heating Operation Conditions

Indoor Air Inlet Temperature: 70°F DB (21.1°C DB)  
Outdoor Air Inlet Temperature: 47°F DB (8.3°C DB)  
43°F WB (6.1°C WB)

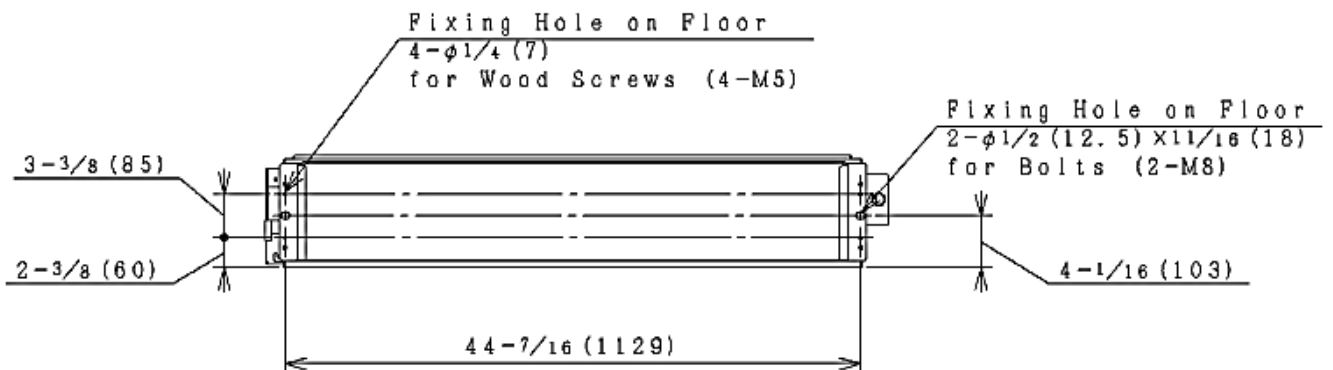
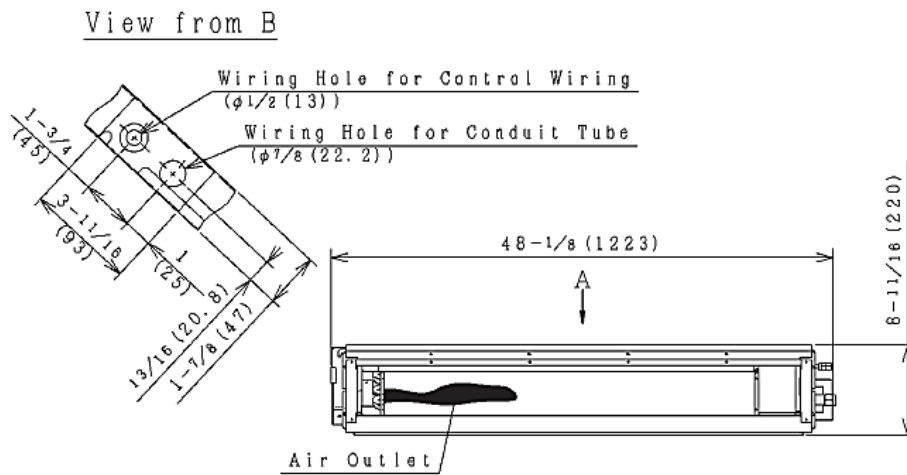
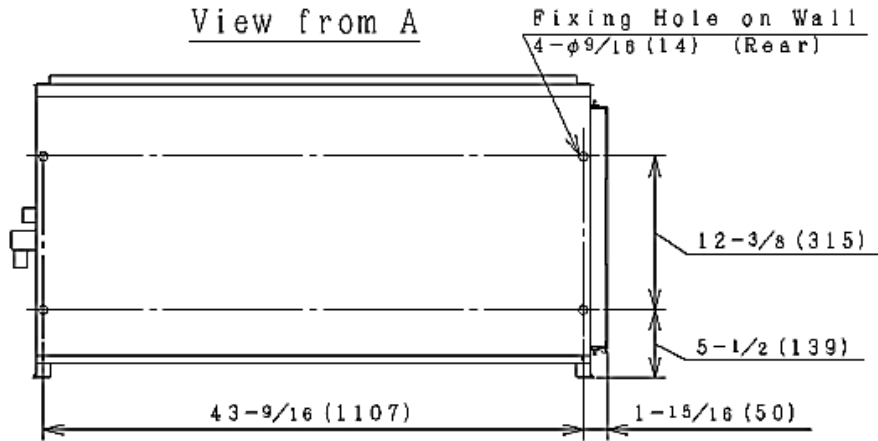
Piping Length: 24 ft. 7-3/16 in. (7.5m)      Piping Lift: 0ft. (0m)

# System Dimensions

Floor Concealed

Model: (H,Y)IFC015B21S

inch (mm)



inch (mm)

