

ACCESSORY KIT INSTALLATION INSTRUCTIONS

Phase Monitor Accessory

MODEL 2PM04700124



WARNING: Cancer and Reproductive Harm –
www.P65Warnings.ca.gov.

General

This accessory is intended to provide protection against phase reversal, phase loss, and phase unbalance. The switch automatically shuts off power to the unit's control circuit if one of the above conditions is detected. It automatically resets when the problem is corrected. The control has a visual LED indication of its operational status. Wire leads are provided in the accessory for wiring to the monitor, refer to the unit wiring diagram. The following table lists the compatible units.

Table 1: Compatible units

Unit type	Model number
Air-cooled split system air conditioners	YC090/120/150/180/240/300, YE090 YH-07/-10/-12/-15/-20/-25, YK-07 J07/10/12/15/20/25YC, J07YE YHT07/T10/T15/T20/T25, YKT07 YD120/150/180/240/360/480/600 YJ-10/-12/-15/-20/-30/-40/-50 J10/12/15/20/30/40/50YD
Air-cooled split system heat pumps	PC090/120/180/240, PE090 PH-07/-10/-15/-20, PK-07 J07/10/15/20PC, J07PE PHT07/T10/T15/T20 and PKT07 PD180/240 PJ-15/-20 J15/20PD
Air-cooled packaged units	T2, T3, T4 Z2, Z3, Z4 X2, X3, X4 V2, V3, V4 YPAL-050/051/060/061

Kit contents

Table 1 lists the kit contents. Verify the contents of the kit before you begin installation.

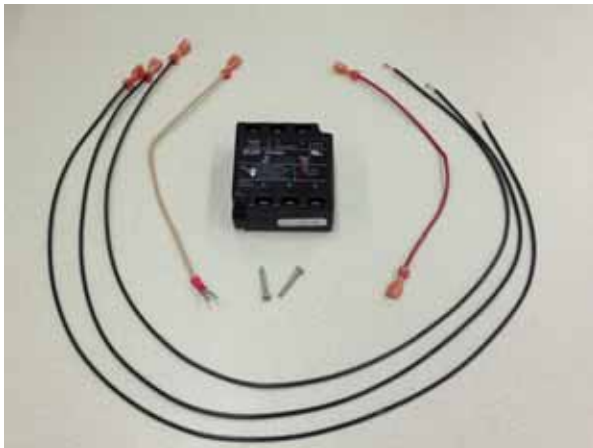


Figure 1 - Kit contents

Item	Qty	Description
1	1 ea.	Power monitor
2	2 ea.	Screw, PNH, #6-20 1.0
3	3 ea.	Black power wire
4	1 ea.	Brown control wire
5	1 ea.	Red control wire

Installing the phase monitor

WARNING

Improper installation, adjustment, service or maintenance can cause injury or property damage. Therefore, only a qualified installer or qualified service personnel should perform this conversion.

WARNING

If the unit is connected to power sources, make sure that all electrical power to the unit is disconnected prior to servicing.

1. Disconnect electrical power to the unit.
2. Remove the unit control box access panel.
3. Install the phase monitor in the unit control box. Mounting holes are pre-punched in the control panel at the position marked PHS as shown on the unit-connection diagram.
4. Wire the phase monitor according to the diagram provided with the condensing unit.

CAUTION

Scroll compressors require proper rotation to operate correctly. Units are properly phased at the factory. Do not change internal wiring to make the blower, condenser fans, or compressor rotate correctly.

5. Verify proper unit operation.
 - If power is applied and the unit operates properly, proceed to step 6.
 - If power is applied and the red fault LED comes on, change the incoming line connection phasing to obtain proper rotation. Proceed to step 6.
6. Replace the previously removed panels.

Contact Ducted Systems Technical Service for questions regarding the installation.

General description

- Low cost 3-phase protection for single side
- Monitors for phase reversal
- Monitors for phase loss
- Monitors for phase unbalance % as a function of input voltage
- Bright LED indicators for ON and FAULT
- Highly reliable passive electronics
- IEEE587 transient-tested
- Conformally coated for added protection

Input

- Voltage: 190-600 VAC
- Frequency: 50/60 Hz
- Cut Wire: 50 Hz
- Control: 18-30 VAC

Output

- Ratings:

Type: Relay

Form: SPDT

N.O.: 10 amps

Specifications

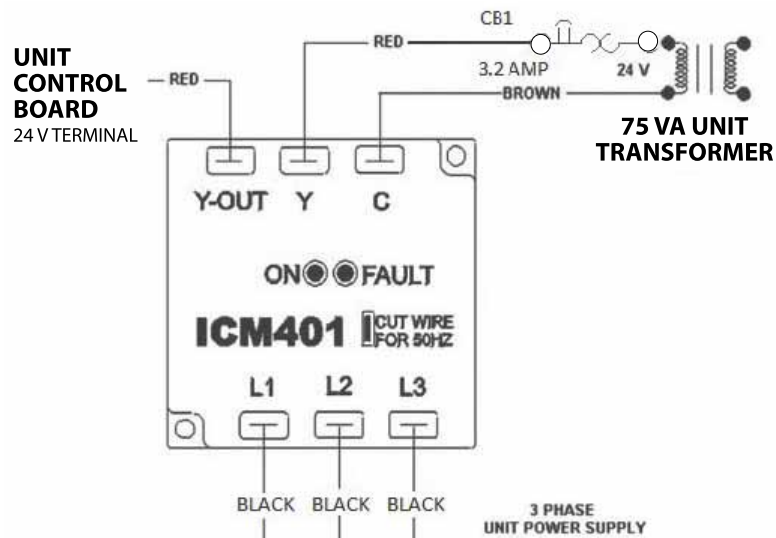


Figure 2 - Simplified wiring diagram