



TECHNICAL GUIDE

**HORIZONTAL DISCHARGE
SPLIT SYSTEM AIR CONDITIONERS
13 SEER - R-410A - 3 PHASE
2.5 TO 5 NOMINAL TON
MODELS: TCHD30 TO 60 (3 ϕ)**



Due to continuous product improvement, specifications are subject to change without notice.

Visit us on the web at

www.simplygettingthejobdone.com and
www.colemanac.com

Additional rating information can be found at
www.ahridirectory.org

WARRANTY SUMMARY*

Standard 1-year limited parts warranty.

Standard 5-year limited compressor warranty.

*Does not apply to R-22 models or Internet sales.

See the limited warranty certificate in the *User's Information Manual* for details.

DESCRIPTION

The 13 SEER Series condensing unit is the outdoor part of a versatile system of air conditioning. It is designed to be custom-matched with one of our complete line of evaporator sections, with each serving a specific function. Matching air handlers are available for upflow, downflow, or horizontal applications to provide a complete system. Electric heat kits are available, if required. Add-on coils are available for use with upflow, downflow, or horizontal furnaces and air handlers.

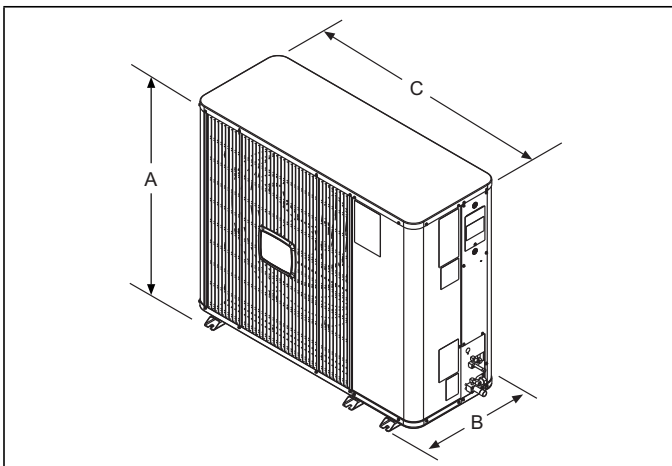
FEATURES

- **Performance** - Efficiency levels from 13.0 SEER/11.0 EER with a loose coil up to 16.0 SEER/14.0 EER (some models) when coupled with an ECM indoor blower.
- **Small Footprint** - Compact slimline design allows for easy installation in tight spaces. Units can be stacked two-high with approved stacking kit.
- **WhisperDrive™ System** - The combination of a swept-wing fan, rigid base pan, isolated compressor compartment, and quiet scroll compressor keep sound as low as 70 dBA.
- **Low Operating Sound Levels** - The swept-wing condenser fan in blow-through configuration provides for whisper-quiet operation by allowing air to flow smoothly and efficiently across the fan tips.
- **Quality Condenser Coils** - The coil is constructed of aluminum microchannel tubing and enhanced aluminum fins for compact size and increased efficiency.
- **Environmentally Friendly Refrigerant** - The next generation refrigerant R-410A delivers environmentally friendly performance with zero ozone depletion.
- **Durable Cabinet** - Heavy-gage steel cabinet and tubular base rails provide added support.
- **Aesthetic** - Powder paint "Champagne" color provides an attractive retail finish.
- **Other Features:**
 - Factory-supplied filter drier
 - High pressure switch, low pressure switch
 - Accumulator and crankcase heater in all sizes
 - Up to 200-ft line set out of the box
 - Zero lot line - only 6-in. minimum clearance from structure
- **Agency Listed** - Safety certified by CSA to UL 1995/CSA 22.2. Performance certified to ANSI/AHRI Standard 210/240 in accordance with the Unitary Small Equipment certification program.

PHYSICAL AND ELECTRICAL DATA

MODEL		TCHD30 S43S3	TCHD36 S43S3	TCHD48 S43S3	TCHD60 S43S3	TCHD30 S44S3	TCHD36 S44S3	TCHD48 S44S3	TCHD60 S44S3
Unit Supply Voltage		208-230 V, 3 ϕ , 60 Hz				460 V, 3 ϕ , 60 Hz			
Normal Voltage Range ¹		187 to 252				432 to 504			
Minimum Circuit Ampacity		11.9	17.5	21.5	21.0	7.2	8.8	10.4	10.5
Maximum Overcurrent Device (A) ²		20	30	35	35	15	15	15	15
Minimum Overcurrent Device (A) ³		15	20	25	25	15	15	15	15
Compressor (A)	Type	Scroll	Scroll	Scroll	Scroll	Scroll	Scroll	Scroll	Scroll
	Rated Load	8.4	12.8	16.0	15.7	5.2	6.4	7.7	7.8
	Locked Rotor	58.0	95.0	115.0	110.0	28.0	45.0	50.0	52.0
Crankcase Heater		Yes	Yes	Yes	Yes	Yes	Yes	Yes	Yes
Factory External Discharge Muffler		No	No	No	No	No	No	No	No
Factory External Check Valve		No	No	No	No	No	No	No	No
Fan Diameter (in.)		23	23	23	23	23	23	23	23
Fan Motor	Rated HP	1 / 4	1 / 4	1 / 4	1 / 4	1 / 4	1 / 4	1 / 4	1 / 4
	Rated Load (A)	1.5	1.5	1.5	1.5	0.8	0.8	0.8	0.8
	Nominal RPM	850	850	850	850	850	850	850	850
	Nominal CFM	3200	3200	3050	3050	3200	3200	3050	3050
Coil	Face Area (ft ²)	11.96	11.96	13.96	13.96	11.96	11.96	13.96	13.96
	Rows Deep	1	1	1	1	1	1	1	1
	Fins per Inch	23	23	23	23	23	23	23	23
Refrigerant Lines ⁴	Maximum Length	200	200	200	200	200	200	200	200
	Maximum Lift	65	65	65	65	65	65	65	65
	Maximum Drop	150	150	150	150	150	150	150	150
	Liquid Line Set OD (Field Installed)	3/8	3/8	3/8	3/8	3/8	3/8	3/8	3/8
	Vapor Line Set OD (Field Installed)	3/4	3/4	7/8	7/8	3/4	3/4	7/8	7/8
Unit Charge (lb - oz) ⁵		4 - 0	4 - 8	5 - 5	5 - 6	4 - 0	4 - 8	5 - 5	5 - 6
Charge (oz/ft)		0.62	0.62	0.67	0.67	0.62	0.62	0.67	0.67
Operating Weight (lb)		180	200	225	235	180	200	225	235

1. Rated in accordance with AHRI Standard 110-2012, utilization range "A".
2. Dual element fuses or HACR circuit breaker. Maximum allowable overcurrent protection.
3. Dual element fuses or HACR circuit breaker. Minimum recommended overcurrent protection.
4. When more than 50 ft of interconnecting tubing and more than 30 ft of vertical lift is used, refer to the *Piping Application Data Sheet* (part number 247077). For long-line applications, interconnecting lines over 100 ft must be installed with liquid line solenoid.
5. The unit charge is correct for the outdoor unit, smallest matched indoor unit, and 15 ft of refrigerant tubing. For tubing lengths other than 15 ft, add or subtract the amount of refrigerant, using the difference in length multiplied by the per foot value.



Unit Model	Dimensions (in.)			Refrigerant Connection Service Valve Size	
	A	B	C	Liquid	Vapor
TCHD30S4(3,4)S3	37 1/4	20	45	3/8	3/4
TCHD36S4(3,4)S3	37 1/4	20	45		
TCHD48S4(3,4)S3	43 1/4	20	45		7/8
TCHD60S4(3,4)S3	43 1/4	20	45		

All dimensions are in inches and are subject to change without notice.
 Overall height is from bottom of mounting feet to top of unit.
 Overall length and width include mounting feet and screw heads.

SYSTEM CHARGE FOR VARIOUS COPPER MATCHED SYSTEMS

Outdoor Unit	TCHD30S4(3,4)S3	TCHD36S4(3,4)S3	TCHD48S4(3,4)S3	TCHD60S4(3,4)S3
Required TXV ^{1,2}	4G1	4G1	4J1	4K1
Indoor Unit ^{3,4,5}	Additional Charge (oz)			
AHE30B	10	–	–	–
AHE36C	16	12	–	–
AHE42D	27	22	–	–
AHE48D	–	–	11	–
AHE60D	–	–	16	13
AHR30B	10	–	–	–
AHR36B	16	12	–	–
AHR42C	–	22	–	–
AHR48D	–	–	11	–
AHR60D	–	–	16	–
AHV30B	0	–	–	–
AHV36C	7	0	–	–
AHV42D	18	11	–	–
AHV48D	–	10	0	–
AHV60D	–	–	4	0
FC/MC/PC32	10	6	–	–
FC/MC/PC35	10	6	–	–
FC/MC/PC37	16	12	–	–
FC/MC/PC43	16	0	–	–
FC/MC/PC48	27	22	0	–
FC/MC/PC60	–	–	10	–
FC/MC62	–	–	16	0
FC64	–	–	25	11
HD36	14	11	–	–
HD48	–	33	24	–
HD60	–	–	30	22
UC48	21	17	6	–
UC60	–	–	11	–

Some of the combinations shown in this table require Advanced Main Air Circulating Fan indoor product. For approved coil only matches, see the *COOLING CAPACITY - Upflow, Downflow, and Horizontal Furnaces and Coils (Coil Only Ratings)* table.

1. For applications requiring a TXV, use S1-1TVM*** series kit.
2. A TXV kit must be used with these indoor units to obtain system performance.
3. Systems matched with furnaces or air handlers not equipped with blower-off delays may require a 60-s time delay.
4. PC coils cannot be used in downflow or horizontal applications. FC coils cannot be used in horizontal applications.
5. Charge adders shown above do not indicate that coils are rated for every application. See the performance data tables for actual performance for specified system matches. Obtain certified system ratings from www.ahridirectory.org.

CHARGING PROCEDURES

1. Check the Factory Unit Charge listed on the unit nameplate to verify the refrigerant charge for the outdoor unit, the smallest matched indoor unit, and the 15 ft of interconnecting lineset.
2. Verify the indoor metering device and additional charge required for the specific matched indoor unit in the system using the above table.
3. Add additional charge for the amount of interconnecting lineset greater than 15 ft at the rate specified in the *PHYSICAL AND ELECTRICAL DATA* table.
4. For installations requiring additional charge, weigh in refrigerant for the specific matching indoor unit and actual lineset length.
5. When the charge adders for the matched indoor unit and lineset have been weighed in, verify the system operation against the temperatures and pressures in the Charging Chart for the outdoor unit. Locate the Charging Charts on the outdoor unit and also in the *Service Data Application Guide* on www.simplygettingthejobdone.com. Follow the Subcool or Superheat charging procedure in the *Installation Manual* according to the type of indoor metering device in the system, and allow 10 min after each charge adjustment for the system operation to stabilize. Record the charge adjustment made to match the Charging Chart.
6. Permanently stamp the unit data plate with the TOTAL SYSTEM CHARGE defined as follows: TOTAL SYSTEM CHARGE = base charge (as shipped) + charge adder for matched indoor unit + charge adder for actual lineset length + charge adjustments to match the Charging Chart.

SYSTEM CHARGE FOR VARIOUS ALUMINUM MATCHED SYSTEMS

Outdoor Unit	TCHD30S4(3,4)S3	TCHD36S4(3,4)S3	TCHD48S4(3,4)S3	TCHD60S4(3,4)S3
Required TXV ^{1,2}	BA1	BC1	BC1	BD1
Indoor Unit ^{3,4,5}	Additional Charge (oz)			
AP18B	–	–	–	–
AP24B	–	–	–	–
AP30B	14	–	–	–
AP36B	–	14	–	–
AP36C	–	14	–	–
AP37C	22	18	–	–
AP42C	–	–	–	–
AP48C	–	18	7	–
AP48D	–	–	7	0
AP60C	–	–	9	–
AP60D	–	–	9	2
AE18B	–	–	–	–
AE24B	–	–	–	–
AE30B	12	–	–	–
AE36(B,C)	14	14	–	–
AE42C	22	18	–	–
AE48(C,D)	22	18	7	–
AE60C	–	22	9	–
AE60D	–	42	29	22
AVC18B	–	–	–	–
AVC24B	–	–	–	–
AVC30B	12	–	–	–
AVC36(B,C)	14	12	–	–
AVC42C	22	18	–	–
AVC48(C,D)	22	18	7	–
AVC60C	–	22	9	–
AVC60D	–	42	29	22
CF/CM/CU18(A,B)	–	–	–	–
CF/CM/CU24(A,B)	–	–	–	–
CF/CM/CU30(A,B,C)	12	–	–	–
CF/CM/CU36(A,B,C,D)	14	–	–	–
CF/CM/CU42(B,C,D)	18	14	–	–
CF/CM/CU48(C,D)	22	18	7	–
CF/CM/CU60(C,D)	–	22	9	2
CF/CM/CU50C	–	26	–	–
CF/CM/CU61D	–	26	–	–
CF/CM64D	–	42	29	22

Some of the combinations shown in the this table require Advanced Main Air Circulating Fan indoor product. For approved coil only matches, see the *COOLING CAPACITY - Upflow, Downflow, and Horizontal Furnaces and Coils (Coil Only Ratings)* table.

- For applications requiring a TXV, use S1-1TVM*** series kit.
- A TXV kit must be used with these indoor units to obtain system performance.
- Systems matched with furnaces or air handlers not equipped with blower-off delays may require 60-s time delay.
- PC coils cannot be used in downflow or horizontal applications. FC coils cannot be used in horizontal applications.
- Charge adders shown above do not indicate that coils are rated for every application. See the performance data tables for actual performance for specified system matches. Obtain certified system ratings from www.ahridirectory.org.

CHARGING PROCEDURES

- Check the Factory Unit Charge listed on the unit nameplate to verify the refrigerant charge for the outdoor unit, the smallest matched indoor unit, and the 15 ft of interconnecting lineset.
- Verify the indoor metering device and additional charge required for the specific matched indoor unit in the system using the above table.
- Add additional charge for the amount of interconnecting lineset greater than 15 ft at the rate specified in the *PHYSICAL AND ELECTRICAL DATA* table.
- For installations requiring additional charge, weigh in refrigerant for the specific matching indoor unit and actual lineset length.
- When the charge adders for the matched indoor unit and lineset have been weighed in, verify the system operation against the temperatures and pressures in the Charging Chart for the outdoor unit. Locate the Charging Charts on the outdoor unit and also in the *Service Data Application Guide* on www.simplygettingthejobdone.com. Follow the Subcool or Superheat charging procedure in the *Installation Manual* according to the type of indoor metering device in the system, and allow 10 min after each charge adjustment for the system operation to stabilize. Record the charge adjustment made to match the Charging Chart.
- Permanently stamp the unit data plate with the TOTAL SYSTEM CHARGE defined as follows: TOTAL SYSTEM CHARGE = base charge (as shipped) + charge adder for matched indoor unit + charge adder for actual lineset length + charge adjustments to match the Charging Chart.

COOLING CAPACITY - With Air Handler Coils

UNIT MODEL	AIR HANDLER		COIL MODEL ¹	COOLING				
	MODEL	WIDTH		RATED CFM	NET MBH		SEER	EER
					TOTAL	SENS.		
TCHD30S4(3,4)S3	AE30BX21	17.5	–	1075	30.00	24.40	14.00	12.25
TCHD30S4(3,4)S3	AE36BX21	17.5	–	1000	30.00	23.60	14.00	12.25
TCHD30S4(3,4)S3	AE36CX21	21.0	–	1025	30.00	24.20	14.00	12.25
TCHD30S4(3,4)S3	AE42CX21	21.0	–	1000	30.00	23.80	14.25	12.50
TCHD30S4(3,4)S3	AE48CX21	21.0	–	1050	30.00	25.20	15.00	12.50
TCHD30S4(3,4)S3	AE48DX21	24.5	–	1050	30.00	25.20	15.00	12.50
TCHD30S4(3,4)S3	AP30BX21	17.5	–	850	29.20	21.80	14.25	12.25
TCHD30S4(3,4)S3	AP36BX21	17.5	–	1150	29.00	25.30	13.25	11.50
TCHD30S4(3,4)S3	AP36CX21	21.0	–	1125	29.00	25.40	13.25	11.50
TCHD30S4(3,4)S3	AP37CX21	21.0	–	1150	30.60	25.70	14.25	12.50
TCHD30S4(3,4)S3	AVC30BX21	17.5	–	1075	30.00	24.40	14.00	12.25
TCHD30S4(3,4)S3	AVC36BX21	17.5	–	1000	30.00	23.60	14.00	12.25
TCHD30S4(3,4)S3	AVC36CX21	21.0	–	825	29.40	21.30	14.25	12.50
TCHD30S4(3,4)S3	AVC42CX21	21.0	–	1050	30.00	24.10	14.25	12.50
TCHD30S4(3,4)S3	AVC48CX21	21.0	–	1075	30.00	24.60	14.25	12.50
TCHD30S4(3,4)S3	AVC48DX21	24.5	–	875	29.80	22.20	14.25	12.50
TCHD30S4(3,4)S3	ME08BN21	17.5	CF/CM30B	875	29.80	22.30	15.00	12.50
TCHD30S4(3,4)S3	ME08BN21	17.5	CF/CM36B	900	30.00	22.80	15.00	12.50
TCHD30S4(3,4)S3	ME08BN21	17.5	CF42B	875	30.00	22.70	15.00	12.50
TCHD30S4(3,4)S3	ME12BN21	17.5	CF/CM30B	1050	30.00	23.90	14.00	12.25
TCHD30S4(3,4)S3	ME12BN21	17.5	CF/CM36B	850	29.20	21.80	14.25	12.25
TCHD30S4(3,4)S3	ME12BN21	17.5	CF42B	850	29.60	21.80	14.25	12.50
TCHD30S4(3,4)S3	ME12CN21	21.0	CF/CM30C	825	29.00	21.30	14.00	12.25
TCHD30S4(3,4)S3	ME12CN21	21.0	CF/CM36C	1000	30.00	24.20	15.00	12.50
TCHD30S4(3,4)S3	ME12CN21	21.0	CF/CM42C	1000	30.00	24.20	15.00	12.50
TCHD30S4(3,4)S3	ME12CN21	21.0	CF/CM48C	1000	30.00	24.50	15.00	12.50
TCHD30S4(3,4)S3	ME14DN21	24.5	CF/CM36D	1025	30.00	24.40	15.00	12.50
TCHD30S4(3,4)S3	ME14DN21	24.5	CF/CM42D	1025	30.00	24.00	14.25	12.50
TCHD30S4(3,4)S3	ME14DN21	24.5	CF/CM48D	1025	30.00	24.00	14.25	12.50
TCHD30S4(3,4)S3	ME16CN21	21.0	CF/CM30C	1100	30.00	24.50	14.00	12.25
TCHD30S4(3,4)S3	ME16CN21	21.0	CF/CM36C	900	29.60	22.20	14.25	12.50
TCHD30S4(3,4)S3	ME16CN21	21.0	CF/CM42C	900	29.80	22.40	14.25	12.50
TCHD30S4(3,4)S3	ME16CN21	21.0	CF/CM48C	925	30.00	22.90	14.25	12.50
TCHD30S44S3	ME12BN41	17.5	CF/CM30B	850	29.80	22.00	15.00	12.50
TCHD30S44S3	ME12BN41	17.5	CF/CM36B	850	30.00	22.20	15.00	12.50
TCHD30S44S3	ME12BN41	17.5	CF42B	850	30.00	22.20	15.00	12.50
TCHD30S44S3	ME12CN41	21.0	CF/CM30C	1000	30.00	24.00	15.00	12.50
TCHD30S44S3	ME12CN41	21.0	CF/CM36C	1000	30.00	24.20	15.00	12.50
TCHD30S44S3	ME12CN41	21.0	CF/CM42C	1000	30.00	24.20	15.00	12.50
TCHD30S44S3	ME12CN41	21.0	CF/CM48C	1000	30.00	24.40	15.00	12.50
TCHD30S44S3	ME14DN41	24.5	CF/CM36D	1025	30.00	24.40	15.00	12.50
TCHD30S44S3	ME14DN41	24.5	CF/CM42D	1025	30.00	24.60	15.00	12.50
TCHD30S44S3	ME14DN41	24.5	CF/CM48D	1025	30.00	24.80	15.00	12.50
TCHD30S44S3	ME16CN41	21.0	CF/CM30C	1100	30.00	25.20	15.00	12.50
TCHD30S44S3	ME16CN41	21.0	CF/CM36C	1100	30.00	25.20	15.00	12.50
TCHD30S44S3	ME16CN41	21.0	CF/CM42C	1100	30.00	25.60	15.00	12.50
TCHD30S44S3	ME16CN41	21.0	CF/CM48C	1100	30.00	25.40	15.00	12.50
TCHD30S4(3,4)S3	MVC08BN21	17.5	CF/CM30B	825	29.60	21.70	15.00	12.50
TCHD30S4(3,4)S3	MVC08BN21	17.5	CF/CM36B	825	29.80	22.00	15.00	12.50
TCHD30S4(3,4)S3	MVC08BN21	17.5	CF42B	850	30.00	22.30	15.00	12.50
TCHD30S4(3,4)S3	MVC12BN21	17.5	CF/CM30B	1075	30.00	24.40	14.00	12.25
TCHD30S4(3,4)S3	MVC12BN21	17.5	CF/CM36B	1075	30.00	24.20	14.00	12.25

COOLING CAPACITY - With Air Handler Coils (Continued)

UNIT MODEL	AIR HANDLER		COIL MODEL ¹	COOLING				
	MODEL	WIDTH		RATED CFM	NET MBH		SEER	EER
					TOTAL	SENS.		
TCHD30S4(3,4)S3	MVC12BN21	17.5	CF42B	1075	30.00	24.50	14.00	12.50
TCHD30S4(3,4)S3	MVC12CN21	21.0	CF/CM30C	1000	29.80	23.50	14.00	12.25
TCHD30S4(3,4)S3	MVC12CN21	21.0	CF/CM36C	1000	30.00	23.60	14.00	12.25
TCHD30S4(3,4)S3	MVC12CN21	21.0	CF/CM42C	875	29.60	22.00	14.25	12.50
TCHD30S4(3,4)S3	MVC12CN21	21.0	CF/CM48C	875	29.80	22.20	14.25	12.50
TCHD30S4(3,4)S3	MVC14DN21	24.5	CF/CM36D	1100	30.00	25.50	15.00	12.50
TCHD30S4(3,4)S3	MVC14DN21	24.5	CF/CM42D	1100	30.00	25.60	15.00	12.50
TCHD30S4(3,4)S3	MVC14DN21	24.5	CF/CM48D	1100	30.00	25.70	15.00	12.50
TCHD30S4(3,4)S3	MVC16CN21	21.0	CF/CM30C	1025	29.80	23.80	14.00	12.25
TCHD30S4(3,4)S3	MVC16CN21	21.0	CF/CM36C	1025	30.00	24.20	14.00	12.25
TCHD30S4(3,4)S3	MVC16CN21	21.0	CF/CM42C	1025	30.00	24.00	14.25	12.50
TCHD30S4(3,4)S3	MVC16CN21	21.0	CF/CM48C	1025	30.00	24.00	14.25	12.50
TCHD30S4(3,4)S3	MVC20DN21	24.5	CF/CM36D	1175	30.00	26.40	15.00	12.50
TCHD30S4(3,4)S3	MVC20DN21	24.5	CF/CM42D	1175	30.00	26.60	15.00	12.50
TCHD30S4(3,4)S3	MVC20DN21	24.5	CF/CM48D	1175	30.00	26.80	15.00	12.50
TCHD30S4(3,4)S3	AHE30B	17.5	–	985	28.40	21.20	14.75	13.00
TCHD30S4(3,4)S3	AHE36C	21.0	–	1000	29.00	21.80	15.50	13.50
TCHD30S4(3,4)S3	AHE42D	24.5	–	1000	29.40	22.20	16.00	14.00
TCHD30S4(3,4)S3	AHR30B	17.5	–	1065	28.20	21.80	13.50	12.00
TCHD30S4(3,4)S3	AHR36B	17.5	–	1060	28.60	21.80	13.50	12.00
TCHD30S4(3,4)S3	AHV30B	17.5	–	1000	28.20	20.90	14.00	12.25
TCHD30S4(3,4)S3	AHV36C	21.0	–	895	28.60	20.70	15.00	13.00
TCHD30S4(3,4)S3	AHV42D	24.5	–	1080	29.60	22.90	15.50	13.25
TCHD30S4(3,4)S3	MV12B	17.5	FC/MC35B	1000	28.60	21.20	15.00	13.20
TCHD30S4(3,4)S3	MV12B	17.5	FC/MC43B	1000	29.00	21.60	15.15	13.35
TCHD30S4(3,4)S3	MV16C	21.0	FC/MC35C	1000	28.60	21.20	15.00	13.25
TCHD30S4(3,4)S3	MV16C	21.0	FC/MC43C	1000	29.00	21.60	15.35	13.50
TCHD30S4(3,4)S3	MV16C	21.0	FC/MC48C	1000	29.40	21.80	15.50	13.70
TCHD30S4(3,4)S3	MX12BN21	17.5	FC/MC35B	975	28.60	21.40	15.00	13.10
TCHD30S4(3,4)S3	MX12BN21	17.5	FC/MC43B	975	29.00	21.80	15.25	13.30
TCHD30S4(3,4)S3	MX12DN21	24.5	FC/MC48D	950	29.00	21.60	15.50	13.50
TCHD30S4(3,4)S3	MX16CN21	21.0	FC/MC35C	1000	28.60	21.40	15.00	13.05
TCHD30S4(3,4)S3	MX16CN21	21.0	FC/MC43C	950	28.80	21.40	15.75	13.60
TCHD30S4(3,4)S3	MX16CN21	21.0	FC/MC48C	950	29.00	21.60	15.85	13.75
TCHD30S4(3,4)S3	MX20DN21	24.5	FC/MC48D	1000	29.00	21.80	14.50	12.75
TCHD36S4(3,4)S3	AE36BX21	17.5	–	1100	35.40	27.00	13.50	11.25
TCHD36S4(3,4)S3	AE36CX21	21.0	–	1175	35.80	28.00	13.50	11.25
TCHD36S4(3,4)S3	AE42CX21	21.0	–	1150	35.80	28.00	13.75	11.25
TCHD36S4(3,4)S3	AE48CX21	21.0	–	1050	35.80	26.70	14.00	11.50
TCHD36S4(3,4)S3	AE48DX21	24.5	–	1050	35.80	26.70	14.00	11.50
TCHD36S4(3,4)S3	AE60CX21	21.0	–	1200	35.80	29.10	14.50	12.00
TCHD36S4(3,4)S3	AE60CX22	21.0	–	1200	35.80	28.00	14.50	12.00
TCHD36S4(3,4)S3	AE60DX21	24.5	–	1150	35.80	28.50	14.50	11.75
TCHD36S4(3,4)S3	AP36BX21	17.5	–	1150	35.20	27.40	13.75	11.75
TCHD36S4(3,4)S3	AP36CX21	21.0	–	1125	35.20	27.20	13.75	11.75
TCHD36S4(3,4)S3	AP37CX21	21.0	–	1125	35.20	27.10	13.75	11.75
TCHD36S4(3,4)S3	AP48CX21	21.0	–	1300	35.80	29.30	13.75	11.50
TCHD36S4(3,4)S3	AVC36BX21	17.5	–	1100	35.40	27.00	13.50	11.25
TCHD36S4(3,4)S3	AVC36CX21	21.0	–	1100	35.60	27.10	13.50	11.00
TCHD36S4(3,4)S3	AVC42CX21	21.0	–	1050	35.60	26.60	13.75	11.25
TCHD36S4(3,4)S3	AVC48CX21	21.0	–	1075	35.80	27.00	14.00	11.50
TCHD36S4(3,4)S3	AVC48DX21	24.5	–	1150	35.80	27.90	14.00	11.50
TCHD36S4(3,4)S3	AVC60CX22	21.0	–	1100	35.40	26.70	14.50	12.25

COOLING CAPACITY - With Air Handler Coils (Continued)

UNIT MODEL	AIR HANDLER		COIL MODEL ¹	COOLING				
	MODEL	WIDTH		RATED CFM	NET MBH		SEER	EER
					TOTAL	SENS.		
TCHD36S4(3,4)S3	AVC60DX21	24.5	–	1175	35.80	28.90	14.50	12.00
TCHD36S4(3,4)S3	ME12BN21	17.5	CF42B	1050	35.40	26.80	13.75	11.25
TCHD36S4(3,4)S3	ME12CN21	21.0	CF/CM42C	1225	35.80	28.90	13.75	11.25
TCHD36S4(3,4)S3	ME12CN21	21.0	CF/CM48C	1225	35.80	28.90	14.00	11.50
TCHD36S4(3,4)S3	ME12CN21	21.0	CF/CM50C	1200	35.00	28.30	14.25	11.75
TCHD36S4(3,4)S3	ME12CN21	21.0	CF/CM60C	1225	35.80	28.20	14.50	12.25
TCHD36S4(3,4)S3	ME14DN21	24.5	CF/CM42D	1200	35.80	28.50	13.75	11.25
TCHD36S4(3,4)S3	ME14DN21	24.5	CF/CM48D	1200	35.80	28.60	14.00	11.50
TCHD36S4(3,4)S3	ME14DN21	24.5	CF/CM61D	1175	35.00	28.00	14.75	12.25
TCHD36S4(3,4)S3	ME14DN21	24.5	CF/CM64D	1200	35.80	29.00	15.00	12.50
TCHD36S4(3,4)S3	ME16CN21	21.0	CF/CM42C	1100	35.60	27.40	13.75	11.25
TCHD36S4(3,4)S3	ME16CN21	21.0	CF/CM48C	1100	35.80	27.30	14.00	11.50
TCHD36S4(3,4)S3	ME16CN21	21.0	CF/CM50C	1075	34.60	26.60	14.25	11.75
TCHD36S4(3,4)S3	ME16CN21	21.0	CF/CM60C	1100	35.60	26.80	14.50	12.00
TCHD36S4(3,4)S3	ME20DN21	24.5	CF/CM42D	1275	35.80	29.70	13.75	11.25
TCHD36S4(3,4)S3	ME20DN21	24.5	CF/CM48D	1275	35.80	29.70	14.00	11.25
TCHD36S4(3,4)S3	ME20DN21	24.5	CF/CM61D	1250	35.20	29.00	14.75	12.25
TCHD36S4(3,4)S3	ME20DN21	24.5	CF/CM64D	1250	35.80	29.90	15.00	12.50
TCHD36S44S3	ME12CN41	21.0	CF/CM42C	1250	35.80	29.20	13.75	11.25
TCHD36S44S3	ME12CN41	21.0	CF/CM48C	1250	35.80	29.20	14.00	11.50
TCHD36S44S3	ME12CN41	21.0	CF/CM60C	1250	35.80	28.60	14.50	12.25
TCHD36S44S3	ME14DN41	24.5	CF/CM42D	1200	35.80	28.40	13.75	11.25
TCHD36S44S3	ME14DN41	24.5	CF/CM48D	1200	35.80	28.60	14.00	11.50
TCHD36S44S3	ME14DN41	24.5	CF/CM60D	1200	35.80	29.00	14.75	12.25
TCHD36S44S3	ME14DN41	24.5	CF/CM64D	1175	35.80	28.80	15.00	12.50
TCHD36S44S3	ME16CN41	21.0	CF/CM42C	1100	35.60	27.40	13.75	11.25
TCHD36S44S3	ME16CN41	21.0	CF/CM48C	1100	35.80	27.20	14.00	11.50
TCHD36S44S3	ME16CN41	21.0	CF/CM60C	1100	35.60	26.80	14.50	12.00
TCHD36S44S3	ME20DN41	24.5	CF/CM42D	1250	35.80	29.20	13.75	11.25
TCHD36S44S3	ME20DN41	24.5	CF/CM48D	1250	35.80	29.20	14.00	11.25
TCHD36S44S3	ME20DN41	24.5	CF/CM60D	1250	35.80	29.60	14.75	12.25
TCHD36S44S3	ME20DN41	24.5	CF/CM64D	1250	35.80	29.80	15.00	12.50
TCHD36S4(3,4)S3	MVC12BN21	17.5	CF42B	1125	35.60	27.50	13.75	11.50
TCHD36S4(3,4)S3	MVC12CN21	21.0	CF/CM42C	1050	35.60	27.00	13.75	11.25
TCHD36S4(3,4)S3	MVC12CN21	21.0	CF/CM48C	1125	35.80	27.70	14.00	11.50
TCHD36S4(3,4)S3	MVC12CN21	21.0	CF/CM50C	1150	35.00	27.70	14.25	11.75
TCHD36S4(3,4)S3	MVC12CN21	21.0	CF/CM60C	1050	35.40	26.20	14.50	12.00
TCHD36S4(3,4)S3	MVC14DN21	24.5	CF/CM42D	1250	35.80	29.40	13.75	11.00
TCHD36S4(3,4)S3	MVC14DN21	24.5	CF/CM48D	1175	35.80	28.40	14.00	11.25
TCHD36S4(3,4)S3	MVC14DN21	24.5	CF/CM61D	1200	35.20	28.50	14.75	12.25
TCHD36S4(3,4)S3	MVC14DN21	24.5	CF/CM64D	1100	35.80	28.00	15.00	12.25
TCHD36S4(3,4)S3	MVC16CN21	21.0	CF/CM42C	1125	35.80	27.70	13.75	11.25
TCHD36S4(3,4)S3	MVC16CN21	21.0	CF/CM48C	1125	35.80	27.70	14.00	11.50
TCHD36S4(3,4)S3	MVC16CN21	21.0	CF/CM50C	1125	35.00	27.50	14.25	11.75
TCHD36S4(3,4)S3	MVC16CN21	21.0	CF/CM60C	1125	35.40	27.00	14.50	12.00
TCHD36S4(3,4)S3	MVC20DN21	24.5	CF/CM42D	1175	35.80	28.20	13.75	11.00
TCHD36S4(3,4)S3	MVC20DN21	24.5	CF/CM48D	1275	35.80	29.70	14.00	11.50
TCHD36S4(3,4)S3	MVC20DN21	24.5	CF/CM61D	1175	35.20	28.20	14.75	12.25
TCHD36S4(3,4)S3	MVC20DN21	24.5	CF/CM64D	1175	35.80	29.10	15.00	12.25
TCHD36S4(3,4)S3	AHE36C	21.0	–	1190	34.40	25.40	14.75	12.75
TCHD36S4(3,4)S3	AHE42D	24.5	–	1180	35.00	25.80	15.50	13.25
TCHD36S4(3,4)S3	AHR36B	17.5	–	1245	33.80	24.60	13.25	11.50
TCHD36S4(3,4)S3	AHR42C	21.0	–	1230	34.60	25.60	13.75	12.00

COOLING CAPACITY - With Air Handler Coils (Continued)

UNIT MODEL	AIR HANDLER		COIL MODEL ¹	COOLING				
	MODEL	WIDTH		RATED CFM	NET MBH		SEER	EER
					TOTAL	SENS.		
TCHD36S4(3,4)S3	AHV36C	21.0	--	1215	34.40	25.60	14.50	12.00
TCHD36S4(3,4)S3	AHV42D	24.5	--	1180	35.00	25.80	15.00	12.75
TCHD36S4(3,4)S3	AHV48D	24.5	--	1155	34.40	25.20	15.00	12.50
TCHD36S4(3,4)S3	MV12B	17.5	FC/MC43B	1200	34.40	25.20	14.50	12.50
TCHD36S4(3,4)S3	MV12D	24.5	FC/MC48D	1150	34.60	25.20	15.00	13.00
TCHD36S4(3,4)S3	MV16C	21.0	FC/MC43C	1200	34.60	25.40	15.00	13.00
TCHD36S4(3,4)S3	MV16C	21.0	FC/MC48C	1200	35.00	25.60	15.25	13.10
TCHD36S4(3,4)S3	MX12BN21	17.5	FC/MC35B	1125	33.40	24.10	14.00	11.75
TCHD36S4(3,4)S3	MX12BN21	17.5	FC/MC43B	1125	33.80	24.50	14.50	12.35
TCHD36S4(3,4)S3	MX12DN21	24.5	FC/MC48D	1125	34.20	25.10	15.25	13.00
TCHD36S4(3,4)S3	MX16CN21	21.0	FC/MC35C	1200	33.60	24.70	13.75	11.75
TCHD36S4(3,4)S3	MX16CN21	21.0	FC/MC43C	1200	34.20	25.30	14.60	12.50
TCHD36S4(3,4)S3	MX16CN21	21.0	FC/MC48C	1200	34.40	25.70	14.65	12.50
TCHD36S4(3,4)S3	MX20DN21	24.5	FC/MC48D	1200	34.80	25.90	15.25	12.75
TCHD48S4(3,4)S3	AE48CX21	21.0	--	1600	48.00	35.50	13.50	11.00
TCHD48S4(3,4)S3	AE48DX21	24.5	--	1450	48.00	36.50	14.75	12.00
TCHD48S4(3,4)S3	AE60CX21	21.0	--	1400	48.00	36.40	14.25	11.50
TCHD48S4(3,4)S3	AE60CX22	21.0	--	1600	48.00	37.30	13.75	11.25
TCHD48S4(3,4)S3	AE60DX21	24.5	--	1550	48.00	38.50	14.75	11.75
TCHD48S4(3,4)S3	AP48CX21	21.0	--	1475	48.00	36.10	13.50	11.00
TCHD48S4(3,4)S3	AP48DX21	24.5	--	1450	48.00	36.20	13.50	11.00
TCHD48S4(3,4)S3	AVC48DX21	24.5	--	1425	48.00	36.30	14.50	11.75
TCHD48S4(3,4)S3	AVC60CX22	21.0	--	1450	48.00	36.00	13.50	11.50
TCHD48S4(3,4)S3	AVC60DX21	24.5	--	1425	48.00	37.10	14.50	11.75
TCHD48S4(3,4)S3	ME14DN21	24.5	CF/CM48D	1500	48.00	36.90	14.25	11.75
TCHD48S4(3,4)S3	ME14DN21	24.5	CF/CM60D	1500	48.00	36.80	14.25	11.50
TCHD48S4(3,4)S3	ME14DN21	24.5	CF/CM64D	1450	48.00	37.40	14.50	11.75
TCHD48S4(3,4)S3	ME16CN21	21.0	CF/CM60C	1575	48.00	37.10	13.75	11.25
TCHD48S4(3,4)S3	ME20DN21	24.5	CF/CM48D	1500	48.00	37.40	14.75	12.00
TCHD48S4(3,4)S3	ME20DN21	24.5	CF/CM64D	1475	48.00	37.90	15.00	12.00
TCHD48S44S3	ME14DN41	24.5	CF/CM48D	1500	48.00	37.00	14.25	11.75
TCHD48S44S3	ME14DN41	24.5	CF/CM60D	1500	48.00	37.60	14.25	11.50
TCHD48S44S3	ME14DN41	24.5	CF/CM64D	1475	48.00	37.40	14.50	11.75
TCHD48S44S3	ME16CN41	21.0	CF/CM60C	1525	48.00	36.60	13.75	11.25
TCHD48S44S3	ME20DN41	24.5	CF/CM48D	1425	48.00	36.20	14.75	12.00
TCHD48S44S3	ME20DN41	24.5	CF/CM60D	1425	48.00	36.60	14.75	11.75
TCHD48S44S3	ME20DN41	24.5	CF/CM64D	1425	48.00	37.00	15.00	12.00
TCHD48S4(3,4)S3	MVC14DN21	24.5	CF/CM48D	1450	48.00	36.50	14.50	11.75
TCHD48S4(3,4)S3	MVC14DN21	24.5	CF/CM60D	1450	48.00	36.30	14.50	11.75
TCHD48S4(3,4)S3	MVC14DN21	24.5	CF/CM64D	1450	48.00	37.80	15.00	12.00
TCHD48S4(3,4)S3	MVC16CN21	21.0	CF/CM60C	1500	48.00	36.80	14.25	11.50
TCHD48S4(3,4)S3	MVC20DN21	24.5	CF/CM48D	1425	48.00	36.30	14.75	12.00
TCHD48S4(3,4)S3	MVC20DN21	24.5	CF/CM64D	1550	48.00	38.50	15.00	12.00
TCHD48S4(3,4)S3	AHE48D	24.5	--	1600	47.00	34.00	14.00	12.00
TCHD48S4(3,4)S3	AHE60D	24.5	--	1565	48.00	34.40	14.25	12.25
TCHD48S4(3,4)S3	AHR48D	24.5	--	1610	47.00	34.00	13.00	11.50
TCHD48S4(3,4)S3	AHR60D	24.5	--	1620	47.50	34.40	13.25	11.50
TCHD48S4(3,4)S3	AHV48D	24.5	--	1585	46.50	33.20	13.50	11.50
TCHD48S4(3,4)S3	AHV60D	24.5	--	1570	47.00	34.00	13.75	11.75
TCHD48S4(3,4)S3	MV16C	21.0	FC/MC48C	1600	47.50	34.20	14.00	12.10
TCHD48S4(3,4)S3	MV16C	21.0	FC60C	1625	47.00	33.60	13.75	11.75
TCHD48S4(3,4)S3	MV20D	24.5	FC/MC48D	1600	47.50	34.20	14.00	12.00
TCHD48S4(3,4)S3	MV20D	24.5	FC/MC60D	1600	45.50	33.00	13.50	11.60

COOLING CAPACITY - With Air Handler Coils (Continued)

UNIT MODEL	AIR HANDLER		COIL MODEL ¹	COOLING				
	MODEL	WIDTH		RATED CFM	NET MBH		SEER	EER
					TOTAL	SENS.		
TCHD48S4(3,4)S3	MV20D	24.5	FC/MC62D	1600	48.00	34.60	14.25	12.25
TCHD48S4(3,4)S3	MV20D	24.5	FC64D	1630	49.50	36.00	14.50	12.50
TCHD48S4(3,4)S3	MX16CN21	21.0	FC/MC48C	1600	46.50	33.50	13.80	11.90
TCHD48S4(3,4)S3	MX16CN21	21.0	FC60C	1600	46.50	33.30	13.85	11.95
TCHD48S4(3,4)S3	MX20DN21	24.5	FC/MC48D	1525	46.50	33.10	14.25	12.25
TCHD48S4(3,4)S3	MX20DN21	24.5	FC/MC60D	1525	47.00	33.50	14.50	12.25
TCHD48S4(3,4)S3	MX20DN21	24.5	FC/MC62D	1525	47.00	33.70	14.40	12.45
TCHD48S4(3,4)S3	MX20DN21	24.5	FC64D	1525	48.50	34.70	14.85	12.80
TCHD60S4(3,4)S3	AE60DX21	24.5	—	1725	58.50	44.90	13.25	11.25
TCHD60S4(3,4)S3	AP60DX22	24.5	—	1675	58.50	42.90	13.00	11.00
TCHD60S4(3,4)S3	AVC60DX21	24.5	—	1600	58.50	42.90	13.25	11.00
TCHD60S4(3,4)S3	ME20DN21	24.5	CF/CM64D	1675	58.50	44.40	13.25	11.25
TCHD60S4(3,4)S3	MVC20DN21	24.5	CF/CM64D	1775	58.50	45.80	13.25	11.25
TCHD60S4(3,4)S3	AHE60D	24.5	—	1835	57.50	40.50	13.50	11.50
TCHD60S4(3,4)S3	AHV60D	24.5	—	1635	56.50	38.30	13.25	11.00
TCHD60S4(3,4)S3	MV20D	24.5	FC/MC62D	1800	57.50	39.50	13.40	11.30
TCHD60S4(3,4)S3	MV20D	24.5	FC64D	1855	59.00	41.50	13.50	11.50
TCHD60S4(3,4)S3	MX20DN21	24.5	FC/MC62D	1750	57.00	39.20	13.75	11.60
TCHD60S4(3,4)S3	MX20DN21	24.5	FC64D	1750	58.00	40.60	14.00	11.75
TCHD60S44S3	ME20DN41	24.5	CF/CM60D	1650	58.50	42.00	13.25	11.25
TCHD60S44S3	ME20DN41	24.5	CF/CM64D	1625	58.50	43.00	13.25	11.25

Rated in accordance with DOE test procedures (Federal Register 12-27-79 and 3-18-88) and ANSI/AHRI Standard 210/240.

Cooling MBH based on 80°F entering air temperature, 50% RH (Relative Humidity), and rated air flow.

EER (Energy Efficiency Ratio) is the total cooling output in BTUs at 95°F outdoor ambient divided by the total electric power in watt-hours at those conditions.

SEER (Seasonal Energy Efficiency Ratio) is the total cooling output in BTUs during a normal annual usage period for cooling divided by the total electric power input in watt-hours during the same period.

1. MC coils available with a factory installed horizontal drain pan. Refer to the *Price Pages* for specific model number.

— = Not applicable.

MA Modular Air Handlers use Coil Only Ratings.

COOLING CAPACITY - Upflow, Downflow, and Horizontal Furnaces and Coils (Coil Only Ratings)

UNIT MODEL	COIL		CFM RANGE (MIN.-MAX.)	COOLING				
	MODEL	WIDTH		RATED CFM	NET MBH		SEER ¹	EER
					TOTAL	SENS.		
TCHD30S4(3,4)S3	CF/CM/CU30B	17.5	800-1200	1000	29.8	23.5	14.00	12.25
TCHD30S4(3,4)S3	CF/CM/CU36B	17.5	800-1200	1000	29.0	23.8	13.00	11.50
TCHD30S4(3,4)S3	CF/CM/CU36C	21	800-1200	1000	29	23.8	13	11.5
TCHD30S4(3,4)S3	CF/CM/CU42C	21	800-1200	1000	29.8	23.8	13.25	11.5
TCHD30S4(3,4)S3	CF/CM/CU48C	21	800-1200	1000	30	23.9	13.25	11.5
TCHD30S4(3,4)S3	CF/CM/CU48D	24.5	800-1200	1000	30	23.9	13.25	11.5
TCHD30S4(3,4)S3	CF/CM36D	24.5	800-1200	1000	29	23.8	13	11.5
TCHD30S4(3,4)S3	CF/CM42D	24.5	800-1200	1000	29.8	23.8	13.25	11.5
TCHD30S4(3,4)S3	CF42B	17.5	800-1200	1000	29.8	23.8	13.25	11.5
TCHD30S4(3,4)S3	FC/MC/PC32	14.5	800-1200	1000	28.0	20.8	13.50	12.00
TCHD30S4(3,4)S3	FC/MC/PC35	17.5,21.0	800-1200	1000	28.0	20.8	13.50	12.00
TCHD30S4(3,4)S3	FC/MC/PC37	14.5	800-1200	1000	28.4	21.2	13.70	12.20
TCHD30S4(3,4)S3	FC/MC/PC43	17.5,21.0	800-1200	1000	28.4	21.2	13.70	12.20
TCHD30S4(3,4)S3	FC/MC/PC48	21.0,24.5	800-1200	1000	28.6	21.4	13.75	12.25
TCHD30S4(3,4)S3	HD36	-	800-1200	1000	27.6	20.0	13.30	11.85
TCHD30S4(3,4)S3	UC48	21.0,24.5	800-1200	1000	26.8	20.0	13.00	11.50
TCHD36S4(3,4)S3	CF/CM/CU42C	21.0	1000-1400	1250	35.0	25.9	13.00	11.00
TCHD36S4(3,4)S3	FC/MC/PC37	14.5	1000-1400	1200	33.8	24.8	13.50	11.70
TCHD36S4(3,4)S3	FC/MC/PC43	17.5,21.0	1000-1400	1200	33.8	24.7	13.50	11.70
TCHD36S4(3,4)S3	FC/MC/PC48	21.0,24.5	1000-1400	1200	34.4	25.2	13.65	12.00
TCHD36S4(3,4)S3	HD48	-	1000-1400	1200	34.2	25.0	13.65	11.85
TCHD48S4(3,4)S3	CF/CM/CU48D	24.5	1400-1800	1600	47.0	35.1	13.00	11.00
TCHD48S4(3,4)S3	CF/CM/CU60C	21.0	1400-1800	1600	48.0	37.4	13.25	11.00
TCHD48S4(3,4)S3	CF/CM64D	24.5	1400-1800	1600	48.0	38.6	13.50	11.00
TCHD48S4(3,4)S3	FC/MC/PC48	21.0,24.5	1400-1800	1600	47.0	33.8	13.25	11.50
TCHD48S4(3,4)S3	FC/MC/PC60	21.0,24.5	1400-1800	1600	46.5	33.2	13.00	11.25
TCHD48S4(3,4)S3	FC/MC62	24.5	1400-1800	1600	47.5	34.2	13.35	11.60
TCHD48S4(3,4)S3	FC64	24.5	1400-1800	1600	48.5	35.4	13.50	11.75
TCHD60S4(3,4)S3	CF/CM64D	24.5	1520-1920	1700	58.5	39.2	13.00	11.00
TCHD60S4(3,4)S3	FC/MC62	24.5	1600-2000	1800	57.0	39.5	13.00	11.00
TCHD60S4(3,4)S3	FC64	24.5	1600-2000	1800	58.5	41.5	13.25	11.25

For rated condition information, see the *COOLING CAPACITY - With Air Handler Coils* table footnotes.

1. Systems matched with furnaces or air handlers not equipped with blower-off delays may require 60-s time delay.
MA Modular Air Handlers use Coil Only Ratings.
PSC furnaces, such as the TG8S, TGLS, and TG9S, use Coil Only Ratings.

COOLING CAPACITY - With High Efficiency Motor Furnaces

UNIT MODEL	FURNACE		COIL MODEL ¹	COOLING				
	MODEL	WIDTH		RATED CFM	Net MBH		SEER	EER
					TOTAL	SENS.		
TCHD30S4(3,4)S3	TM8E040A12MP11	14.5	CF/CM/CU30B	875	29.8	22.3	15.00	12.50
TCHD30S4(3,4)S3	TM8E040A12MP11	14.5	CF/CM/CU36B	875	30.0	22.5	15.00	12.50
TCHD30S4(3,4)S3	TM8E040A12MP11	14.5	CF42B	850	30.0	22.1	15.00	12.50
TCHD30S4(3,4)S3	TM8E060A12MP11	14.5	CF/CM/CU30B	875	29.8	22.3	15.00	12.50
TCHD30S4(3,4)S3	TM8E060A12MP11	14.5	CF/CM/CU36B	875	30.0	22.5	15.00	12.50
TCHD30S4(3,4)S3	TM8E060A12MP11	14.5	CF42B	800	29.6	21.4	15.00	12.50
TCHD30S4(3,4)S3	TM8E080B12MP11	17.5	CF/CM/CU30B	900	30.0	22.8	15.00	12.50
TCHD30S4(3,4)S3	TM8E080B12MP11	17.5	CF/CM/CU36B	875	30.0	22.5	15.00	12.50
TCHD30S4(3,4)S3	TM8E080B12MP11	17.5	CF/CM/CU36C	900	30.0	22.6	15.00	12.50
TCHD30S4(3,4)S3	TM8E080B12MP11	17.5	CF/CM/CU42C	900	30.0	22.7	15.00	12.50
TCHD30S4(3,4)S3	TM8E080B12MP11	17.5	CF/CM/CU48C	900	30.0	22.8	15.00	12.50
TCHD30S4(3,4)S3	TM8E080B12MP11	17.5	CF/CM30C	900	30.0	22.8	15.00	12.50
TCHD30S4(3,4)S3	TM8E080B12MP11	17.5	CF42B	875	30.0	22.8	15.00	12.50
TCHD30S4(3,4)S3	TM8E080C16MP11	21.0	CF/CM/CU36C	950	30.0	23.5	15.00	12.50
TCHD30S4(3,4)S3	TM8E080C16MP11	21.0	CF/CM/CU42C	950	30.0	23.6	15.00	12.50
TCHD30S4(3,4)S3	TM8E080C16MP11	21.0	CF/CM/CU48C	800	30.0	21.5	15.00	12.50
TCHD30S4(3,4)S3	TM8E080C16MP11	21.0	CF/CM/CU48D	950	30.0	23.6	15.00	12.50
TCHD30S4(3,4)S3	TM8E080C16MP11	21.0	CF/CM30C	950	30.0	23.4	15.00	12.50
TCHD30S4(3,4)S3	TM8E080C16MP11	21.0	CF/CM36D	950	30.0	23.5	15.00	12.50
TCHD30S4(3,4)S3	TM8E080C16MP11	21.0	CF/CM42D	950	30.0	23.6	15.00	12.50
TCHD30S4(3,4)S3	TM8E100B12MP11	17.5	CF/CM/CU30B	825	29.6	21.7	15.00	12.50
TCHD30S4(3,4)S3	TM8E100B12MP11	17.5	CF/CM/CU36B	825	29.8	22.0	15.00	12.50
TCHD30S4(3,4)S3	TM8E100B12MP11	17.5	CF/CM/CU36C	825	29.8	22.0	15.00	12.50
TCHD30S4(3,4)S3	TM8E100B12MP11	17.5	CF/CM/CU42C	850	30.0	22.3	15.00	12.50
TCHD30S4(3,4)S3	TM8E100B12MP11	17.5	CF/CM/CU48C	850	30.0	22.1	15.00	12.50
TCHD30S4(3,4)S3	TM8E100B12MP11	17.5	CF/CM30C	925	30.0	23.0	15.00	12.50
TCHD30S4(3,4)S3	TM8E100B12MP11	17.5	CF42B	800	29.6	21.4	15.00	12.50
TCHD30S4(3,4)S3	TM8E100C16MP11	21.0	CF/CM/CU36C	925	30.0	23.2	15.00	12.50
TCHD30S4(3,4)S3	TM8E100C16MP11	21.0	CF/CM/CU42C	925	30.0	23.2	15.00	12.50
TCHD30S4(3,4)S3	TM8E100C16MP11	21.0	CF/CM/CU48C	950	30.0	23.6	15.00	12.50
TCHD30S4(3,4)S3	TM8E100C16MP11	21.0	CF/CM/CU48D	950	30.0	23.6	15.00	12.50
TCHD30S4(3,4)S3	TM8E100C16MP11	21.0	CF/CM30C	925	30.0	23.2	15.00	12.50
TCHD30S4(3,4)S3	TM8E100C16MP11	21.0	CF/CM36D	950	30.0	23.5	15.00	12.50
TCHD30S4(3,4)S3	TM8E100C16MP11	21.0	CF/CM42D	950	30.0	23.6	15.00	12.50
TCHD30S4(3,4)S3	TM8E120C16MP11	21.0	CF/CM/CU36C	950	30.0	23.5	15.00	12.50
TCHD30S4(3,4)S3	TM8E120C16MP11	21.0	CF/CM/CU42C	950	30.0	23.6	15.00	12.50
TCHD30S4(3,4)S3	TM8E120C16MP11	21.0	CF/CM/CU48C	950	30.0	23.6	15.00	12.50
TCHD30S4(3,4)S3	TM8E120C16MP11	21.0	CF/CM/CU48D	950	30.0	23.6	15.00	12.50
TCHD30S4(3,4)S3	TM8E120C16MP11	21.0	CF/CM30C	950	30.0	23.4	15.00	12.50
TCHD30S4(3,4)S3	TM8E120C16MP11	21.0	CF/CM36D	950	30.0	23.5	15.00	12.50
TCHD30S4(3,4)S3	TM8E120C16MP11	21.0	CF/CM42D	950	30.0	23.6	15.00	12.50
TCHD30S4(3,4)S3	TM8V060A12MP12C	14.5	CF/CM/CU30B	875	29.2	22.0	14.00	12.25
TCHD30S4(3,4)S3	TM8V060A12MP12C	14.5	CF/CM/CU36B	1075	30.0	24.2	14.00	12.25
TCHD30S4(3,4)S3	TM8V060A12MP12C	14.5	CF/CM36A	900	29.6	22.2	14.25	12.50
TCHD30S4(3,4)S3	TM8V060A12MP12C	14.5	CF42B	1075	30.0	24.5	14.00	12.50
TCHD30S4(3,4)S3	TM8V080B12MP12C	17.5	CF/CM/CU30B	825	29.0	21.3	14.00	12.25
TCHD30S4(3,4)S3	TM8V080B12MP12C	17.5	CF/CM/CU36B	825	29.4	21.3	14.25	12.50
TCHD30S4(3,4)S3	TM8V080B12MP12C	17.5	CF/CM/CU36C	825	29.4	21.3	14.25	12.50
TCHD30S4(3,4)S3	TM8V080B12MP12C	17.5	CF/CM/CU42C	1000	30.0	23.6	14.25	12.50
TCHD30S4(3,4)S3	TM8V080B12MP12C	17.5	CF/CM/CU48C	1000	30.0	23.8	14.25	12.50
TCHD30S4(3,4)S3	TM8V080B12MP12C	17.5	CF/CM30C	1000	29.8	23.5	14.00	12.25
TCHD30S4(3,4)S3	TM8V080B12MP12C	17.5	CF42B	1000	30.0	23.6	14.25	12.50

COOLING CAPACITY - With High Efficiency Motor Furnaces (Continued)

UNIT MODEL	FURNACE		COIL MODEL ¹	COOLING				
	MODEL	WIDTH		RATED CFM	Net MBH		SEER	EER
					TOTAL	SENS.		
TCHD30S4(3,4)S3	TM8V080C16MP12C	21.0	CF/CM/CU36C	875	29.4	22.0	14.25	12.25
TCHD30S4(3,4)S3	TM8V080C16MP12C	21.0	CF/CM/CU42C	875	29.6	22.0	14.25	12.50
TCHD30S4(3,4)S3	TM8V080C16MP12C	21.0	CF/CM/CU48C	1050	30.0	24.1	14.25	12.50
TCHD30S4(3,4)S3	TM8V080C16MP12C	21.0	CF/CM/CU48D	875	30.0	22.9	15.00	12.50
TCHD30S4(3,4)S3	TM8V080C16MP12C	21.0	CF/CM30C	875	29.2	22.0	14.00	12.25
TCHD30S4(3,4)S3	TM8V080C16MP12C	21.0	CF/CM36D	875	29.4	22.0	14.25	12.25
TCHD30S4(3,4)S3	TM8V080C16MP12C	21.0	CF/CM42D	875	29.6	22.0	14.25	12.50
TCHD30S4(3,4)S3	TM8V100C16MP12C	21.0	CF/CM/CU36C	875	29.4	22.0	14.25	12.25
TCHD30S4(3,4)S3	TM8V100C16MP12C	21.0	CF/CM/CU42C	875	29.6	22.0	14.25	12.50
TCHD30S4(3,4)S3	TM8V100C16MP12C	21.0	CF/CM/CU48C	1050	30.0	24.1	14.25	12.50
TCHD30S4(3,4)S3	TM8V100C16MP12C	21.0	CF/CM/CU48D	875	30.0	22.9	15.00	12.50
TCHD30S4(3,4)S3	TM8V100C16MP12C	21.0	CF/CM30C	875	29.2	22.0	14.00	12.25
TCHD30S4(3,4)S3	TM8V100C16MP12C	21.0	CF/CM36D	875	29.4	22.0	14.25	12.25
TCHD30S4(3,4)S3	TM8V100C16MP12C	21.0	CF/CM42D	875	29.6	22.0	14.25	12.50
TCHD30S4(3,4)S3	TM8V100C20MP12C	21.0	CF/CM/CU36C	1150	30.0	25.8	15.00	12.50
TCHD30S4(3,4)S3	TM8V100C20MP12C	21.0	CF/CM/CU42C	1150	30.0	26.0	15.00	12.50
TCHD30S4(3,4)S3	TM8V100C20MP12C	21.0	CF/CM/CU48C	1150	30.0	26.2	15.00	12.50
TCHD30S4(3,4)S3	TM8V100C20MP12C	21.0	CF/CM/CU48D	1150	30.0	26.2	15.00	12.50
TCHD30S4(3,4)S3	TM8V100C20MP12C	21.0	CF/CM30C	1150	30.0	23.8	15.00	12.50
TCHD30S4(3,4)S3	TM8V100C20MP12C	21.0	CF/CM36D	1150	30.0	26.0	15.00	12.50
TCHD30S4(3,4)S3	TM8V100C20MP12C	21.0	CF/CM42D	1150	30.0	26.0	15.00	12.50
TCHD30S4(3,4)S3	TM8V120C20MP12C	21.0	CF/CM/CU36C	1150	30.0	25.8	15.00	12.50
TCHD30S4(3,4)S3	TM8V120C20MP12C	21.0	CF/CM/CU42C	1150	30.0	26.0	15.00	12.50
TCHD30S4(3,4)S3	TM8V120C20MP12C	21.0	CF/CM/CU48C	1150	30.0	26.2	15.00	12.50
TCHD30S4(3,4)S3	TM8V120C20MP12C	21.0	CF/CM/CU48D	1150	30.0	26.2	15.00	12.50
TCHD30S4(3,4)S3	TM8V120C20MP12C	21.0	CF/CM30C	1150	30.0	23.8	15.00	12.50
TCHD30S4(3,4)S3	TM8V120C20MP12C	21.0	CF/CM36D	1150	30.0	26.0	15.00	12.50
TCHD30S4(3,4)S3	TM8V120C20MP12C	21.0	CF/CM42D	1150	30.0	26.0	15.00	12.50
TCHD30S4(3,4)S3	TM8X060A12MP11	14.5	CF/CM/CU30B	925	30.0	23.1	15.00	12.50
TCHD30S4(3,4)S3	TM8X060A12MP11	14.5	CF/CM/CU36B	925	30.0	23.0	15.00	12.50
TCHD30S4(3,4)S3	TM8X060A12MP11	14.5	CF42B	925	30.0	23.1	15.00	12.50
TCHD30S4(3,4)S3	TM8X080B12MP11	17.5	CF/CM/CU30B	825	29.6	21.7	15.00	12.50
TCHD30S4(3,4)S3	TM8X080B12MP11	17.5	CF/CM/CU36B	825	29.8	22.0	15.00	12.50
TCHD30S4(3,4)S3	TM8X080B12MP11	17.5	CF/CM/CU36C	825	29.8	22.0	15.00	12.50
TCHD30S4(3,4)S3	TM8X080B12MP11	17.5	CF/CM/CU42C	825	30.0	21.9	15.00	12.50
TCHD30S4(3,4)S3	TM8X080B12MP11	17.5	CF/CM/CU48C	850	30.0	22.1	15.00	12.50
TCHD30S4(3,4)S3	TM8X080B12MP11	17.5	CF/CM30C	825	29.6	21.7	15.00	12.50
TCHD30S4(3,4)S3	TM8X080B12MP11	17.5	CF42B	800	29.6	21.4	15.00	12.50
TCHD30S4(3,4)S3	TM8X080C16MP11	21.0	CF/CM/CU36C	950	30.0	23.5	15.00	12.50
TCHD30S4(3,4)S3	TM8X080C16MP11	21.0	CF/CM/CU42C	950	30.0	23.6	15.00	12.50
TCHD30S4(3,4)S3	TM8X080C16MP11	21.0	CF/CM/CU48C	950	30.0	23.6	15.00	12.50
TCHD30S4(3,4)S3	TM8X080C16MP11	21.0	CF/CM/CU48D	975	30.0	24.1	15.00	12.50
TCHD30S4(3,4)S3	TM8X080C16MP11	21.0	CF/CM30C	950	30.0	23.4	15.00	12.50
TCHD30S4(3,4)S3	TM8X080C16MP11	21.0	CF/CM36D	975	30.0	23.6	15.00	12.50
TCHD30S4(3,4)S3	TM8X080C16MP11	21.0	CF/CM42D	975	30.0	24.0	15.00	12.50
TCHD30S4(3,4)S3	TM8X100C16MP11	21.0	CF/CM/CU36C	950	30.0	23.5	15.00	12.50
TCHD30S4(3,4)S3	TM8X100C16MP11	21.0	CF/CM/CU42C	950	30.0	23.6	15.00	12.50
TCHD30S4(3,4)S3	TM8X100C16MP11	21.0	CF/CM/CU48C	950	30.0	23.6	15.00	12.50
TCHD30S4(3,4)S3	TM8X100C16MP11	21.0	CF/CM/CU48D	975	30.0	24.1	15.00	12.50
TCHD30S4(3,4)S3	TM8X100C16MP11	21.0	CF/CM30C	950	30.0	23.4	15.00	12.50
TCHD30S4(3,4)S3	TM8X100C16MP11	21.0	CF/CM36D	975	30.0	23.6	15.00	12.50
TCHD30S4(3,4)S3	TM8X100C16MP11	21.0	CF/CM42D	975	30.0	24.0	15.00	12.50
TCHD30S4(3,4)S3	TM8X100C20MP11	21.0	CF/CM/CU36C	1000	30.0	24.2	15.00	12.50

COOLING CAPACITY - With High Efficiency Motor Furnaces (Continued)

UNIT MODEL	FURNACE		COIL MODEL ¹	COOLING				
	MODEL	WIDTH		RATED CFM	Net MBH		SEER	EER
					TOTAL	SENS.		
TCHD30S4(3,4)S3	TM8X100C20MP11	21.0	CF/CM/CU42C	1000	30.0	24.2	15.00	12.50
TCHD30S4(3,4)S3	TM8X100C20MP11	21.0	CF/CM/CU48C	1000	30.0	24.3	15.00	12.50
TCHD30S4(3,4)S3	TM8X100C20MP11	21.0	CF/CM/CU48D	1000	30.0	24.3	15.00	12.50
TCHD30S4(3,4)S3	TM8X100C20MP11	21.0	CF/CM30C	1000	30.0	24.0	15.00	12.50
TCHD30S4(3,4)S3	TM8X100C20MP11	21.0	CF/CM36D	1000	30.0	24.2	15.00	12.50
TCHD30S4(3,4)S3	TM8X100C20MP11	21.0	CF/CM42D	1000	30.0	24.2	15.00	12.50
TCHD30S4(3,4)S3	TM8X120C20MP11	21.0	CF/CM/CU36C	1000	30.0	24.2	15.00	12.50
TCHD30S4(3,4)S3	TM8X120C20MP11	21.0	CF/CM/CU42C	1000	30.0	24.2	15.00	12.50
TCHD30S4(3,4)S3	TM8X120C20MP11	21.0	CF/CM/CU48C	1000	30.0	24.3	15.00	12.50
TCHD30S4(3,4)S3	TM8X120C20MP11	21.0	CF/CM/CU48D	1000	30.0	24.3	15.00	12.50
TCHD30S4(3,4)S3	TM8X120C20MP11	21.0	CF/CM30C	1000	30.0	24.0	15.00	12.50
TCHD30S4(3,4)S3	TM8X120C20MP11	21.0	CF/CM36D	1000	30.0	24.2	15.00	12.50
TCHD30S4(3,4)S3	TM8X120C20MP11	21.0	CF/CM42D	1000	30.0	24.2	15.00	12.50
TCHD30S4(3,4)S3	TM8Y060A12MP11	14.5	CF/CM/CU30B	925	30.0	23.1	15.00	12.50
TCHD30S4(3,4)S3	TM8Y060A12MP11	14.5	CF/CM/CU36B	925	30.0	23.0	15.00	12.50
TCHD30S4(3,4)S3	TM8Y060A12MP11	14.5	CF42B	925	30.0	23.1	15.00	12.50
TCHD30S4(3,4)S3	TM8Y080B12MP11	17.5	CF/CM/CU30B	825	29.6	21.7	15.00	12.50
TCHD30S4(3,4)S3	TM8Y080B12MP11	17.5	CF/CM/CU36B	825	29.8	22.0	15.00	12.50
TCHD30S4(3,4)S3	TM8Y080B12MP11	17.5	CF/CM/CU36C	825	29.8	22.0	15.00	12.50
TCHD30S4(3,4)S3	TM8Y080B12MP11	17.5	CF/CM/CU42C	825	30.0	21.9	15.00	12.50
TCHD30S4(3,4)S3	TM8Y080B12MP11	17.5	CF/CM/CU48C	850	30.0	22.1	15.00	12.50
TCHD30S4(3,4)S3	TM8Y080B12MP11	17.5	CF/CM30C	825	29.6	21.7	15.00	12.50
TCHD30S4(3,4)S3	TM8Y080B12MP11	17.5	CF42B	800	29.6	21.4	15.00	12.50
TCHD30S4(3,4)S3	TM8Y080C16MP11	21.0	CF/CM/CU36C	950	30.0	23.5	15.00	12.50
TCHD30S4(3,4)S3	TM8Y080C16MP11	21.0	CF/CM/CU42C	950	30.0	23.6	15.00	12.50
TCHD30S4(3,4)S3	TM8Y080C16MP11	21.0	CF/CM/CU48C	950	30.0	23.6	15.00	12.50
TCHD30S4(3,4)S3	TM8Y080C16MP11	21.0	CF/CM/CU48D	975	30.0	24.1	15.00	12.50
TCHD30S4(3,4)S3	TM8Y080C16MP11	21.0	CF/CM30C	950	30.0	23.4	15.00	12.50
TCHD30S4(3,4)S3	TM8Y080C16MP11	21.0	CF/CM36D	975	30.0	23.6	15.00	12.50
TCHD30S4(3,4)S3	TM8Y080C16MP11	21.0	CF/CM42D	975	30.0	24.0	15.00	12.50
TCHD30S4(3,4)S3	TM8Y100C16MP11	21.0	CF/CM/CU36C	950	30.0	23.5	15.00	12.50
TCHD30S4(3,4)S3	TM8Y100C16MP11	21.0	CF/CM/CU42C	950	30.0	23.6	15.00	12.50
TCHD30S4(3,4)S3	TM8Y100C16MP11	21.0	CF/CM/CU48C	950	30.0	23.6	15.00	12.50
TCHD30S4(3,4)S3	TM8Y100C16MP11	21.0	CF/CM/CU48D	975	30.0	24.1	15.00	12.50
TCHD30S4(3,4)S3	TM8Y100C16MP11	21.0	CF/CM30C	950	30.0	23.4	15.00	12.50
TCHD30S4(3,4)S3	TM8Y100C16MP11	21.0	CF/CM36D	975	30.0	23.6	15.00	12.50
TCHD30S4(3,4)S3	TM8Y100C16MP11	21.0	CF/CM42D	975	30.0	24.0	15.00	12.50
TCHD30S4(3,4)S3	TM8Y100C20MP11	21.0	CF/CM/CU36C	1000	30.0	24.2	15.00	12.50
TCHD30S4(3,4)S3	TM8Y100C20MP11	21.0	CF/CM/CU42C	1000	30.0	24.2	15.00	12.50
TCHD30S4(3,4)S3	TM8Y100C20MP11	21.0	CF/CM/CU48C	1000	30.0	24.3	15.00	12.50
TCHD30S4(3,4)S3	TM8Y100C20MP11	21.0	CF/CM/CU48D	1000	30.0	24.3	15.00	12.50
TCHD30S4(3,4)S3	TM8Y100C20MP11	21.0	CF/CM30C	1000	30.0	24.0	15.00	12.50
TCHD30S4(3,4)S3	TM8Y100C20MP11	21.0	CF/CM36D	1000	30.0	24.2	15.00	12.50
TCHD30S4(3,4)S3	TM8Y100C20MP11	21.0	CF/CM42D	1000	30.0	24.2	15.00	12.50
TCHD30S4(3,4)S3	TM8Y120C20MP11	21.0	CF/CM/CU36C	1000	30.0	24.2	15.00	12.50
TCHD30S4(3,4)S3	TM8Y120C20MP11	21.0	CF/CM/CU42C	1000	30.0	24.2	15.00	12.50
TCHD30S4(3,4)S3	TM8Y120C20MP11	21.0	CF/CM/CU48C	1000	30.0	24.3	15.00	12.50
TCHD30S4(3,4)S3	TM8Y120C20MP11	21.0	CF/CM/CU48D	1000	30.0	24.3	15.00	12.50
TCHD30S4(3,4)S3	TM8Y120C20MP11	21.0	CF/CM30C	1000	30.0	24.0	15.00	12.50
TCHD30S4(3,4)S3	TM8Y120C20MP11	21.0	CF/CM36D	1000	30.0	24.2	15.00	12.50
TCHD30S4(3,4)S3	TM8Y120C20MP11	21.0	CF/CM42D	1000	30.0	24.2	15.00	12.50
TCHD30S4(3,4)S3	TM9E040A10MP11	14.5	CF/CM/CU30B	1025	29.8	23.8	14.00	12.25
TCHD30S4(3,4)S3	TM9E040A10MP11	14.5	CF/CM/CU36B	1025	30.0	24.2	14.00	12.25

COOLING CAPACITY - With High Efficiency Motor Furnaces (Continued)

UNIT MODEL	FURNACE		COIL MODEL ¹	COOLING				
	MODEL	WIDTH		RATED CFM	Net MBH		SEER	EER
					TOTAL	SENS.		
TCHD30S4(3,4)S3	TM9E040A10MP11	14.5	CF/CM36A	950	29.8	23.1	14.25	12.25
TCHD30S4(3,4)S3	TM9E040A10MP11	14.5	CF42B	1025	30.0	24.0	14.25	12.50
TCHD30S4(3,4)S3	TM9E040A10MP12	14.5	CF/CM/CU30B	800	29.2	21.1	14.50	12.50
TCHD30S4(3,4)S3	TM9E040A10MP12	14.5	CF/CM/CU36B	800	29.4	21.4	14.75	12.50
TCHD30S4(3,4)S3	TM9E040A10MP12	14.5	CF42B	800	29.4	21.3	14.75	12.50
TCHD30S4(3,4)S3	TM9E060A10MP12	14.5	CF/CM/CU30B	825	29.4	21.5	15.00	12.50
TCHD30S4(3,4)S3	TM9E060A10MP12	14.5	CF/CM/CU36B	825	29.6	21.8	15.00	12.50
TCHD30S4(3,4)S3	TM9E060A10MP12	14.5	CF42B	825	29.8	21.7	15.00	12.50
TCHD30S4(3,4)S3	TM9E060B12MP11	17.5	CF/CM/CU30B	850	29.6	21.9	15.00	12.50
TCHD30S4(3,4)S3	TM9E060B12MP11	17.5	CF/CM/CU36B	850	29.8	21.8	15.00	12.50
TCHD30S4(3,4)S3	TM9E060B12MP11	17.5	CF/CM/CU36C	875	30.0	22.5	15.00	12.50
TCHD30S4(3,4)S3	TM9E060B12MP11	17.5	CF/CM/CU42C	875	29.8	22.6	15.00	12.50
TCHD30S4(3,4)S3	TM9E060B12MP11	17.5	CF/CM/CU48C	875	30.0	22.7	15.00	12.50
TCHD30S4(3,4)S3	TM9E060B12MP11	17.5	CF/CM30C	875	29.8	22.3	15.00	12.50
TCHD30S4(3,4)S3	TM9E060B12MP11	17.5	CF42B	850	30.0	22.1	15.00	12.50
TCHD30S4(3,4)S3	TM9E060B12MP12	17.5	CF/CM/CU30B	925	29.8	22.9	14.75	12.50
TCHD30S4(3,4)S3	TM9E060B12MP12	17.5	CF/CM/CU36B	925	30.0	23.0	15.00	12.50
TCHD30S4(3,4)S3	TM9E060B12MP12	17.5	CF/CM/CU36C	950	30.0	23.4	15.00	12.50
TCHD30S4(3,4)S3	TM9E060B12MP12	17.5	CF/CM/CU42C	950	30.0	23.5	15.00	12.50
TCHD30S4(3,4)S3	TM9E060B12MP12	17.5	CF/CM/CU48C	950	30.0	23.5	15.00	12.50
TCHD30S4(3,4)S3	TM9E060B12MP12	17.5	CF/CM30C	950	30.0	23.3	15.00	12.50
TCHD30S4(3,4)S3	TM9E060B12MP12	17.5	CF42B	925	30.0	22.9	15.00	12.50
TCHD30S4(3,4)S3	TM9E080B12MP11	17.5	CF/CM/CU30B	875	29.2	22.0	14.00	12.25
TCHD30S4(3,4)S3	TM9E080B12MP11	17.5	CF/CM/CU36B	875	29.4	22.0	14.25	12.25
TCHD30S4(3,4)S3	TM9E080B12MP11	17.5	CF/CM/CU36C	1000	30.0	23.6	14.00	12.25
TCHD30S4(3,4)S3	TM9E080B12MP11	17.5	CF/CM/CU42C	1000	30.0	23.6	14.25	12.50
TCHD30S4(3,4)S3	TM9E080B12MP11	17.5	CF/CM/CU48C	1000	30.0	23.8	14.25	12.50
TCHD30S4(3,4)S3	TM9E080B12MP11	17.5	CF/CM30C	1000	29.8	23.5	14.00	12.25
TCHD30S4(3,4)S3	TM9E080B12MP11	17.5	CF42B	875	29.6	22.0	14.25	12.50
TCHD30S4(3,4)S3	TM9E080B12MP12	17.5	CF/CM/CU30B	925	30.0	23.1	15.00	12.50
TCHD30S4(3,4)S3	TM9E080B12MP12	17.5	CF/CM/CU36B	925	30.0	23.2	15.00	12.50
TCHD30S4(3,4)S3	TM9E080B12MP12	17.5	CF/CM/CU36C	800	29.6	21.5	15.00	12.50
TCHD30S4(3,4)S3	TM9E080B12MP12	17.5	CF/CM/CU42C	800	29.6	21.4	15.00	12.50
TCHD30S4(3,4)S3	TM9E080B12MP12	17.5	CF/CM/CU48C	800	29.8	21.3	15.00	12.50
TCHD30S4(3,4)S3	TM9E080B12MP12	17.5	CF/CM30C	800	29.4	21.3	15.00	12.50
TCHD30S4(3,4)S3	TM9E080B12MP12	17.5	CF42B	925	30.0	23.1	15.00	12.50
TCHD30S4(3,4)S3	TM9E080C16MP11	21.0	CF/CM/CU36C	975	30.0	23.6	15.00	12.50
TCHD30S4(3,4)S3	TM9E080C16MP11	21.0	CF/CM/CU42C	975	30.0	23.8	15.00	12.50
TCHD30S4(3,4)S3	TM9E080C16MP11	21.0	CF/CM/CU48C	975	30.0	24.1	15.00	12.50
TCHD30S4(3,4)S3	TM9E080C16MP11	21.0	CF/CM/CU48D	975	30.0	24.1	15.00	12.50
TCHD30S4(3,4)S3	TM9E080C16MP11	21.0	CF/CM30C	975	30.0	23.6	15.00	12.50
TCHD30S4(3,4)S3	TM9E080C16MP11	21.0	CF/CM36D	975	30.0	23.6	15.00	12.50
TCHD30S4(3,4)S3	TM9E080C16MP11	21.0	CF/CM42D	975	30.0	23.8	15.00	12.50
TCHD30S4(3,4)S3	TM9E080C16MP12	21.0	CF/CM/CU36C	875	30.0	22.5	15.00	12.50
TCHD30S4(3,4)S3	TM9E080C16MP12	21.0	CF/CM/CU42C	875	30.0	22.7	15.00	12.50
TCHD30S4(3,4)S3	TM9E080C16MP12	21.0	CF/CM/CU48C	900	30.0	23.0	15.00	12.50
TCHD30S4(3,4)S3	TM9E080C16MP12	21.0	CF/CM/CU48D	900	30.0	23.0	15.00	12.50
TCHD30S4(3,4)S3	TM9E080C16MP12	21.0	CF/CM30C	875	29.8	22.3	15.00	12.50
TCHD30S4(3,4)S3	TM9E080C16MP12	21.0	CF/CM36D	900	30.0	22.8	15.00	12.50
TCHD30S4(3,4)S3	TM9E080C16MP12	21.0	CF/CM42D	900	30.0	22.9	15.00	12.50
TCHD30S4(3,4)S3	TM9E100C16MP11	21.0	CF/CM/CU36C	975	29.8	23.2	14.25	12.25
TCHD30S4(3,4)S3	TM9E100C16MP11	21.0	CF/CM/CU42C	975	30.0	23.3	14.25	12.50
TCHD30S4(3,4)S3	TM9E100C16MP11	21.0	CF/CM/CU48C	1000	30.0	23.8	14.25	12.50

COOLING CAPACITY - With High Efficiency Motor Furnaces (Continued)

UNIT MODEL	FURNACE		COIL MODEL ¹	COOLING				
	MODEL	WIDTH		RATED CFM	Net MBH		SEER	EER
					TOTAL	SENS.		
TCHD30S4(3,4)S3	TM9E100C16MP11	21.0	CF/CM/CU48D	1000	30.0	24.4	15.00	12.50
TCHD30S4(3,4)S3	TM9E100C16MP11	21.0	CF/CM30C	975	29.8	23.2	14.00	12.25
TCHD30S4(3,4)S3	TM9E100C16MP11	21.0	CF/CM36D	1000	30.0	23.6	14.00	12.25
TCHD30S4(3,4)S3	TM9E100C16MP11	21.0	CF/CM42D	1000	30.0	23.6	14.25	12.50
TCHD30S4(3,4)S3	TM9E100C16MP12	21.0	CF/CM/CU36C	925	30.0	23.2	15.00	12.50
TCHD30S4(3,4)S3	TM9E100C16MP12	21.0	CF/CM/CU42C	925	30.0	23.2	15.00	12.50
TCHD30S4(3,4)S3	TM9E100C16MP12	21.0	CF/CM/CU48C	925	30.0	23.4	15.00	12.50
TCHD30S4(3,4)S3	TM9E100C16MP12	21.0	CF/CM/CU48D	950	30.0	23.6	15.00	12.50
TCHD30S4(3,4)S3	TM9E100C16MP12	21.0	CF/CM30C	925	30.0	23.2	15.00	12.50
TCHD30S4(3,4)S3	TM9E100C16MP12	21.0	CF/CM36D	950	30.0	23.5	15.00	12.50
TCHD30S4(3,4)S3	TM9E100C16MP12	21.0	CF/CM42D	950	30.0	23.6	15.00	12.50
TCHD30S4(3,4)S3	TM9E100C20MP11	21.0	CF/CM/CU36C	1175	30.0	26.1	15.00	12.50
TCHD30S4(3,4)S3	TM9E100C20MP11	21.0	CF/CM/CU42C	1175	30.0	26.2	15.00	12.50
TCHD30S4(3,4)S3	TM9E100C20MP11	21.0	CF/CM/CU48C	1175	30.0	26.5	15.00	12.50
TCHD30S4(3,4)S3	TM9E100C20MP11	21.0	CF/CM/CU48D	1200	30.0	26.4	15.00	12.50
TCHD30S4(3,4)S3	TM9E100C20MP11	21.0	CF/CM30C	1175	30.0	24.2	14.75	12.50
TCHD30S4(3,4)S3	TM9E100C20MP11	21.0	CF/CM36D	1200	30.0	26.3	15.00	12.50
TCHD30S4(3,4)S3	TM9E100C20MP11	21.0	CF/CM42D	1200	30.0	26.4	15.00	12.50
TCHD30S4(3,4)S3	TM9E100C20MP12	21.0	CF/CM/CU36C	1200	30.0	26.3	15.00	12.50
TCHD30S4(3,4)S3	TM9E100C20MP12	21.0	CF/CM30C	1200	30.0	24.4	15.00	12.50
TCHD30S4(3,4)S3	TM9E120D20MP11	24.5	CF/CM/CU48D	950	30.0	23.8	15.00	12.50
TCHD30S4(3,4)S3	TM9E120D20MP11	24.5	CF/CM36D	950	29.8	23.1	14.25	12.25
TCHD30S4(3,4)S3	TM9E120D20MP11	24.5	CF/CM42D	950	29.8	22.9	14.25	12.50
TCHD30S4(3,4)S3	TM9V040A10MP12C	14.5	CF/CM/CU30B	800	29.2	21.1	14.50	12.50
TCHD30S4(3,4)S3	TM9V040A10MP12C	14.5	CF/CM/CU36B	800	29.4	21.4	14.75	12.50
TCHD30S4(3,4)S3	TM9V040A10MP12C	14.5	CF42B	800	29.4	21.3	14.75	12.50
TCHD30S4(3,4)S3	TM9V060B12MP12C	17.5	CF/CM/CU30B	875	29.2	22.0	14.00	12.25
TCHD30S4(3,4)S3	TM9V060B12MP12C	17.5	CF/CM/CU36B	875	29.4	22.0	14.25	12.25
TCHD30S4(3,4)S3	TM9V060B12MP12C	17.5	CF/CM/CU36C	875	29.4	22.0	14.25	12.25
TCHD30S4(3,4)S3	TM9V060B12MP12C	17.5	CF/CM/CU42C	1000	30.0	23.6	14.25	12.50
TCHD30S4(3,4)S3	TM9V060B12MP12C	17.5	CF/CM/CU48C	1000	30.0	23.8	14.25	12.50
TCHD30S4(3,4)S3	TM9V060B12MP12C	17.5	CF/CM30C	875	29.2	22.0	14.00	12.25
TCHD30S4(3,4)S3	TM9V060B12MP12C	17.5	CF42B	875	29.6	22.0	14.25	12.50
TCHD30S4(3,4)S3	TM9V080B12MP12C	17.5	CF/CM/CU30B	1075	30.0	24.4	14.00	12.25
TCHD30S4(3,4)S3	TM9V080B12MP12C	17.5	CF/CM/CU36B	1075	30.0	24.2	14.00	12.25
TCHD30S4(3,4)S3	TM9V080B12MP12C	17.5	CF/CM/CU36C	800	29.0	20.9	14.25	12.25
TCHD30S4(3,4)S3	TM9V080B12MP12C	17.5	CF/CM/CU42C	800	29.2	21.0	14.25	12.50
TCHD30S4(3,4)S3	TM9V080B12MP12C	17.5	CF/CM/CU48C	800	29.4	21.1	14.25	12.50
TCHD30S4(3,4)S3	TM9V080B12MP12C	17.5	CF/CM30C	875	29.2	22.0	14.00	12.25
TCHD30S4(3,4)S3	TM9V080B12MP12C	17.5	CF42B	1075	30.0	24.5	14.00	12.50
TCHD30S4(3,4)S3	TM9V080C16MP12C	21.0	CF/CM/CU36C	1025	30.0	24.2	14.00	12.25
TCHD30S4(3,4)S3	TM9V080C16MP12C	21.0	CF/CM/CU42C	1025	30.0	24.0	14.25	12.50
TCHD30S4(3,4)S3	TM9V080C16MP12C	21.0	CF/CM/CU48C	1025	30.0	24.0	14.25	12.50
TCHD30S4(3,4)S3	TM9V080C16MP12C	21.0	CF/CM/CU48D	950	30.0	23.6	15.00	12.50
TCHD30S4(3,4)S3	TM9V080C16MP12C	21.0	CF/CM30C	1025	29.8	23.8	14.00	12.25
TCHD30S4(3,4)S3	TM9V080C16MP12C	21.0	CF/CM36D	1025	30.0	24.2	14.00	12.25
TCHD30S4(3,4)S3	TM9V080C16MP12C	21.0	CF/CM42D	1025	30.0	24.0	14.25	12.50
TCHD30S4(3,4)S3	TM9V100C16MP12C	21.0	CF/CM/CU36C	1000	30.0	23.6	14.00	12.25
TCHD30S4(3,4)S3	TM9V100C16MP12C	21.0	CF/CM/CU42C	1000	30.0	23.6	14.25	12.50
TCHD30S4(3,4)S3	TM9V100C16MP12C	21.0	CF/CM/CU48C	1075	30.0	24.6	14.25	12.50
TCHD30S4(3,4)S3	TM9V100C16MP12C	21.0	CF/CM/CU48D	900	30.0	23.0	15.00	12.50
TCHD30S4(3,4)S3	TM9V100C16MP12C	21.0	CF/CM30C	1000	29.8	23.5	14.00	12.25
TCHD30S4(3,4)S3	TM9V100C16MP12C	21.0	CF/CM36D	1050	30.0	24.3	14.00	12.25

COOLING CAPACITY - With High Efficiency Motor Furnaces (Continued)

UNIT MODEL	FURNACE		COIL MODEL ¹	COOLING				
	MODEL	WIDTH		RATED CFM	Net MBH		SEER	EER
					TOTAL	SENS.		
TCHD30S4(3,4)S3	TM9V100C16MP12C	21.0	CF/CM42D	1075	30.0	24.5	14.00	12.50
TCHD30S4(3,4)S3	TM9V100C20MP12C	21.0	CF/CM/CU36C	1100	30.0	25.0	14.00	12.25
TCHD30S4(3,4)S3	TM9V100C20MP12C	21.0	CF/CM/CU42C	1100	30.0	24.9	14.25	12.50
TCHD30S4(3,4)S3	TM9V100C20MP12C	21.0	CF/CM/CU48C	1100	30.0	24.9	14.25	12.50
TCHD30S4(3,4)S3	TM9V100C20MP12C	21.0	CF/CM/CU48D	1100	30.0	25.3	15.00	12.50
TCHD30S4(3,4)S3	TM9V100C20MP12C	21.0	CF/CM30C	1100	30.0	25.1	15.00	12.50
TCHD30S4(3,4)S3	TM9V100C20MP12C	21.0	CF/CM36D	1100	30.0	25.0	14.00	12.25
TCHD30S4(3,4)S3	TM9V100C20MP12C	21.0	CF/CM42D	1100	30.0	24.9	14.25	12.50
TCHD30S4(3,4)S3	TM9V120D20MP12C	24.5	CF/CM/CU48D	1050	30.0	24.1	14.25	12.50
TCHD30S4(3,4)S3	TM9V120D20MP12C	24.5	CF/CM36D	1050	30.0	24.3	14.00	12.25
TCHD30S4(3,4)S3	TM9V120D20MP12C	24.5	CF/CM42D	1050	30.0	24.2	14.25	12.50
TCHD30S4(3,4)S3	TM9Y040A10MP11	14.5	CF/CM/CU30B	1025	29.8	23.8	14.00	12.25
TCHD30S4(3,4)S3	TM9Y040A10MP11	14.5	CF/CM/CU36B	1025	30.0	24.2	14.00	12.25
TCHD30S4(3,4)S3	TM9Y040A10MP11	14.5	CF/CM36A	950	29.8	23.1	14.25	12.25
TCHD30S4(3,4)S3	TM9Y040A10MP11	14.5	CF42B	1025	30.0	24.0	14.25	12.50
TCHD30S4(3,4)S3	TM9Y060B12MP11	17.5	CF/CM/CU30B	850	29.6	21.9	15.00	12.50
TCHD30S4(3,4)S3	TM9Y060B12MP11	17.5	CF/CM/CU36B	850	29.8	21.8	15.00	12.50
TCHD30S4(3,4)S3	TM9Y060B12MP11	17.5	CF/CM/CU36C	875	30.0	22.5	15.00	12.50
TCHD30S4(3,4)S3	TM9Y060B12MP11	17.5	CF/CM/CU42C	875	29.8	22.6	15.00	12.50
TCHD30S4(3,4)S3	TM9Y060B12MP11	17.5	CF/CM/CU48C	875	30.0	22.7	15.00	12.50
TCHD30S4(3,4)S3	TM9Y060B12MP11	17.5	CF/CM30C	875	29.8	22.3	15.00	12.50
TCHD30S4(3,4)S3	TM9Y060B12MP11	17.5	CF42B	850	30.0	22.1	15.00	12.50
TCHD30S4(3,4)S3	TM9Y080B12MP11	17.5	CF/CM/CU30B	875	29.2	22.0	14.00	12.25
TCHD30S4(3,4)S3	TM9Y080B12MP11	17.5	CF/CM/CU36B	875	29.4	22.0	14.25	12.25
TCHD30S4(3,4)S3	TM9Y080B12MP11	17.5	CF/CM/CU36C	1000	30.0	23.6	14.00	12.25
TCHD30S4(3,4)S3	TM9Y080B12MP11	17.5	CF/CM/CU42C	1000	30.0	23.6	14.25	12.50
TCHD30S4(3,4)S3	TM9Y080B12MP11	17.5	CF/CM/CU48C	1000	30.0	23.8	14.25	12.50
TCHD30S4(3,4)S3	TM9Y080B12MP11	17.5	CF/CM30C	1000	29.8	23.5	14.00	12.25
TCHD30S4(3,4)S3	TM9Y080B12MP11	17.5	CF42B	875	29.6	22.0	14.25	12.50
TCHD30S4(3,4)S3	TM9Y080C16MP11	21.0	CF/CM/CU36C	975	30.0	23.6	15.00	12.50
TCHD30S4(3,4)S3	TM9Y080C16MP11	21.0	CF/CM/CU42C	975	30.0	23.8	15.00	12.50
TCHD30S4(3,4)S3	TM9Y080C16MP11	21.0	CF/CM/CU48C	975	30.0	24.1	15.00	12.50
TCHD30S4(3,4)S3	TM9Y080C16MP11	21.0	CF/CM/CU48D	975	30.0	24.1	15.00	12.50
TCHD30S4(3,4)S3	TM9Y080C16MP11	21.0	CF/CM30C	975	30.0	23.6	15.00	12.50
TCHD30S4(3,4)S3	TM9Y080C16MP11	21.0	CF/CM36D	975	30.0	23.6	15.00	12.50
TCHD30S4(3,4)S3	TM9Y080C16MP11	21.0	CF/CM42D	975	30.0	23.8	15.00	12.50
TCHD30S4(3,4)S3	TM9Y100C16MP11	21.0	CF/CM/CU36C	975	29.8	23.2	14.25	12.25
TCHD30S4(3,4)S3	TM9Y100C16MP11	21.0	CF/CM/CU42C	975	30.0	23.3	14.25	12.50
TCHD30S4(3,4)S3	TM9Y100C16MP11	21.0	CF/CM/CU48C	1000	30.0	23.8	14.25	12.50
TCHD30S4(3,4)S3	TM9Y100C16MP11	21.0	CF/CM/CU48D	1000	30.0	24.4	15.00	12.50
TCHD30S4(3,4)S3	TM9Y100C16MP11	21.0	CF/CM30C	975	29.8	23.2	14.00	12.25
TCHD30S4(3,4)S3	TM9Y100C16MP11	21.0	CF/CM36D	1000	30.0	23.6	14.00	12.25
TCHD30S4(3,4)S3	TM9Y100C16MP11	21.0	CF/CM42D	1000	30.0	23.6	14.25	12.50
TCHD30S4(3,4)S3	TM9Y100C20MP11	21.0	CF/CM/CU36C	1175	30.0	26.1	15.00	12.50
TCHD30S4(3,4)S3	TM9Y100C20MP11	21.0	CF/CM/CU42C	1175	30.0	26.2	15.00	12.50
TCHD30S4(3,4)S3	TM9Y100C20MP11	21.0	CF/CM/CU48C	1175	30.0	26.5	15.00	12.50
TCHD30S4(3,4)S3	TM9Y100C20MP11	21.0	CF/CM/CU48D	1200	30.0	26.4	15.00	12.50
TCHD30S4(3,4)S3	TM9Y100C20MP11	21.0	CF/CM30C	1175	30.0	24.2	14.75	12.50
TCHD30S4(3,4)S3	TM9Y100C20MP11	21.0	CF/CM36D	1200	30.0	26.3	15.00	12.50
TCHD30S4(3,4)S3	TM9Y100C20MP11	21.0	CF/CM42D	1200	30.0	26.4	15.00	12.50
TCHD30S4(3,4)S3	TM9Y120D20MP11	24.5	CF/CM/CU48D	950	30.0	23.8	15.00	12.50
TCHD30S4(3,4)S3	TM9Y120D20MP11	24.5	CF/CM36D	950	29.8	23.1	14.25	12.25
TCHD30S4(3,4)S3	TM9Y120D20MP11	24.5	CF/CM42D	950	29.8	22.9	14.25	12.50

COOLING CAPACITY - With High Efficiency Motor Furnaces (Continued)

UNIT MODEL	FURNACE		COIL MODEL ¹	COOLING				
	MODEL	WIDTH		RATED CFM	Net MBH		SEER	EER
					TOTAL	SENS.		
TCHD30S4(3,4)S3	TMLE040A12MP11	14.5	CF/CM/CU30B	875	29.8	22.3	15.00	12.50
TCHD30S4(3,4)S3	TMLE040A12MP11	14.5	CF/CM/CU36B	875	30.0	22.5	15.00	12.50
TCHD30S4(3,4)S3	TMLE040A12MP11	14.5	CF42B	850	30.0	22.1	15.00	12.50
TCHD30S4(3,4)S3	TMLE060A12MP11	14.5	CF/CM/CU30B	875	29.8	22.3	15.00	12.50
TCHD30S4(3,4)S3	TMLE060A12MP11	14.5	CF/CM/CU36B	875	30.0	22.5	15.00	12.50
TCHD30S4(3,4)S3	TMLE060A12MP11	14.5	CF42B	800	29.6	21.4	15.00	12.50
TCHD30S4(3,4)S3	TMLE080B12MP11	17.5	CF/CM/CU30B	900	30.0	22.8	15.00	12.50
TCHD30S4(3,4)S3	TMLE080B12MP11	17.5	CF/CM/CU36B	875	30.0	22.5	15.00	12.50
TCHD30S4(3,4)S3	TMLE080B12MP11	17.5	CF/CM/CU36C	900	30.0	22.6	15.00	12.50
TCHD30S4(3,4)S3	TMLE080B12MP11	17.5	CF/CM/CU42C	900	30.0	22.7	15.00	12.50
TCHD30S4(3,4)S3	TMLE080B12MP11	17.5	CF/CM/CU48C	900	30.0	22.8	15.00	12.50
TCHD30S4(3,4)S3	TMLE080B12MP11	17.5	CF/CM30C	900	30.0	22.8	15.00	12.50
TCHD30S4(3,4)S3	TMLE080B12MP11	17.5	CF42B	875	30.0	22.8	15.00	12.50
TCHD30S4(3,4)S3	TMLE080C16MP11	21.0	CF/CM/CU36C	950	30.0	23.5	15.00	12.50
TCHD30S4(3,4)S3	TMLE080C16MP11	21.0	CF/CM/CU42C	950	30.0	23.6	15.00	12.50
TCHD30S4(3,4)S3	TMLE080C16MP11	21.0	CF/CM/CU48C	800	30.0	21.5	15.00	12.50
TCHD30S4(3,4)S3	TMLE080C16MP11	21.0	CF/CM/CU48D	950	30.0	23.6	15.00	12.50
TCHD30S4(3,4)S3	TMLE080C16MP11	21.0	CF/CM30C	950	30.0	23.4	15.00	12.50
TCHD30S4(3,4)S3	TMLE080C16MP11	21.0	CF/CM36D	950	30.0	23.5	15.00	12.50
TCHD30S4(3,4)S3	TMLE080C16MP11	21.0	CF/CM42D	950	30.0	23.6	15.00	12.50
TCHD30S4(3,4)S3	TMLE100B12MP11	17.5	CF/CM/CU30B	825	29.6	21.7	15.00	12.50
TCHD30S4(3,4)S3	TMLE100B12MP11	17.5	CF/CM/CU36B	825	29.8	22.0	15.00	12.50
TCHD30S4(3,4)S3	TMLE100B12MP11	17.5	CF/CM/CU36C	825	29.8	22.0	15.00	12.50
TCHD30S4(3,4)S3	TMLE100B12MP11	17.5	CF/CM/CU42C	850	30.0	22.3	15.00	12.50
TCHD30S4(3,4)S3	TMLE100B12MP11	17.5	CF/CM/CU48C	850	30.0	22.1	15.00	12.50
TCHD30S4(3,4)S3	TMLE100B12MP11	17.5	CF/CM30C	925	30.0	23.0	15.00	12.50
TCHD30S4(3,4)S3	TMLE100B12MP11	17.5	CF42B	800	29.6	21.4	15.00	12.50
TCHD30S4(3,4)S3	TMLE100C16MP11	21.0	CF/CM/CU36C	925	30.0	23.2	15.00	12.50
TCHD30S4(3,4)S3	TMLE100C16MP11	21.0	CF/CM/CU42C	925	30.0	23.2	15.00	12.50
TCHD30S4(3,4)S3	TMLE100C16MP11	21.0	CF/CM/CU48C	950	30.0	23.6	15.00	12.50
TCHD30S4(3,4)S3	TMLE100C16MP11	21.0	CF/CM/CU48D	950	30.0	23.6	15.00	12.50
TCHD30S4(3,4)S3	TMLE100C16MP11	21.0	CF/CM30C	925	30.0	23.2	15.00	12.50
TCHD30S4(3,4)S3	TMLE100C16MP11	21.0	CF/CM36D	950	30.0	23.5	15.00	12.50
TCHD30S4(3,4)S3	TMLE100C16MP11	21.0	CF/CM42D	950	30.0	23.6	15.00	12.50
TCHD30S4(3,4)S3	TMLE120C16MP11	21.0	CF/CM/CU36C	950	30.0	23.5	15.00	12.50
TCHD30S4(3,4)S3	TMLE120C16MP11	21.0	CF/CM/CU42C	950	30.0	23.6	15.00	12.50
TCHD30S4(3,4)S3	TMLE120C16MP11	21.0	CF/CM/CU48C	950	30.0	23.6	15.00	12.50
TCHD30S4(3,4)S3	TMLE120C16MP11	21.0	CF/CM/CU48D	950	30.0	23.6	15.00	12.50
TCHD30S4(3,4)S3	TMLE120C16MP11	21.0	CF/CM30C	950	30.0	23.4	15.00	12.50
TCHD30S4(3,4)S3	TMLE120C16MP11	21.0	CF/CM36D	950	30.0	23.5	15.00	12.50
TCHD30S4(3,4)S3	TMLE120C16MP11	21.0	CF/CM42D	950	30.0	23.6	15.00	12.50
TCHD30S4(3,4)S3	TMLV060A12MP12C	14.5	CF/CM/CU30B	875	29.2	22.0	14.00	12.25
TCHD30S4(3,4)S3	TMLV060A12MP12C	14.5	CF/CM/CU36B	1075	30.0	24.2	14.00	12.25
TCHD30S4(3,4)S3	TMLV060A12MP12C	14.5	CF/CM36A	900	29.6	22.2	14.25	12.50
TCHD30S4(3,4)S3	TMLV060A12MP12C	14.5	CF42B	1075	30.0	24.5	14.00	12.50
TCHD30S4(3,4)S3	TMLV080B12MP12C	17.5	CF/CM/CU30B	825	29.0	21.3	14.00	12.25
TCHD30S4(3,4)S3	TMLV080B12MP12C	17.5	CF/CM/CU36B	825	29.4	21.3	14.25	12.50
TCHD30S4(3,4)S3	TMLV080B12MP12C	17.5	CF/CM/CU36C	825	29.4	21.3	14.25	12.50
TCHD30S4(3,4)S3	TMLV080B12MP12C	17.5	CF/CM/CU42C	1000	30.0	23.6	14.25	12.50
TCHD30S4(3,4)S3	TMLV080B12MP12C	17.5	CF/CM/CU48C	1000	30.0	23.8	14.25	12.50
TCHD30S4(3,4)S3	TMLV080B12MP12C	17.5	CF/CM30C	1000	29.8	23.5	14.00	12.25
TCHD30S4(3,4)S3	TMLV080B12MP12C	17.5	CF42B	1000	30.0	23.6	14.25	12.50
TCHD30S4(3,4)S3	TMLV080C16MP12C	21.0	CF/CM/CU36C	875	29.4	22.0	14.25	12.25

COOLING CAPACITY - With High Efficiency Motor Furnaces (Continued)

UNIT MODEL	FURNACE		COIL MODEL ¹	COOLING				
	MODEL	WIDTH		RATED CFM	Net MBH		SEER	EER
					TOTAL	SENS.		
TCHD30S4(3,4)S3	TMLV080C16MP12C	21.0	CF/CM/CU42C	875	29.6	22.0	14.25	12.50
TCHD30S4(3,4)S3	TMLV080C16MP12C	21.0	CF/CM/CU48C	1050	30.0	24.1	14.25	12.50
TCHD30S4(3,4)S3	TMLV080C16MP12C	21.0	CF/CM/CU48D	875	30.0	22.9	15.00	12.50
TCHD30S4(3,4)S3	TMLV080C16MP12C	21.0	CF/CM30C	875	29.2	22.0	14.00	12.25
TCHD30S4(3,4)S3	TMLV080C16MP12C	21.0	CF/CM36D	875	29.4	22.0	14.25	12.25
TCHD30S4(3,4)S3	TMLV080C16MP12C	21.0	CF/CM42D	875	29.6	22.0	14.25	12.50
TCHD30S4(3,4)S3	TMLV100C16MP12C	21.0	CF/CM/CU36C	875	29.4	22.0	14.25	12.25
TCHD30S4(3,4)S3	TMLV100C16MP12C	21.0	CF/CM/CU42C	875	29.6	22.0	14.25	12.50
TCHD30S4(3,4)S3	TMLV100C16MP12C	21.0	CF/CM/CU48C	1050	30.0	24.1	14.25	12.50
TCHD30S4(3,4)S3	TMLV100C16MP12C	21.0	CF/CM/CU48D	875	30.0	22.9	15.00	12.50
TCHD30S4(3,4)S3	TMLV100C16MP12C	21.0	CF/CM30C	875	29.2	22.0	14.00	12.25
TCHD30S4(3,4)S3	TMLV100C16MP12C	21.0	CF/CM36D	875	29.4	22.0	14.25	12.25
TCHD30S4(3,4)S3	TMLV100C16MP12C	21.0	CF/CM42D	875	29.6	22.0	14.25	12.50
TCHD30S4(3,4)S3	TMLV100C20MP12C	21.0	CF/CM/CU36C	1150	30.0	25.8	15.00	12.50
TCHD30S4(3,4)S3	TMLV100C20MP12C	21.0	CF/CM/CU42C	1150	30.0	26.0	15.00	12.50
TCHD30S4(3,4)S3	TMLV100C20MP12C	21.0	CF/CM/CU48C	1150	30.0	26.2	15.00	12.50
TCHD30S4(3,4)S3	TMLV100C20MP12C	21.0	CF/CM/CU48D	1150	30.0	26.2	15.00	12.50
TCHD30S4(3,4)S3	TMLV100C20MP12C	21.0	CF/CM30C	1150	30.0	23.8	15.00	12.50
TCHD30S4(3,4)S3	TMLV100C20MP12C	21.0	CF/CM36D	1150	30.0	26.0	15.00	12.50
TCHD30S4(3,4)S3	TMLV100C20MP12C	21.0	CF/CM42D	1150	30.0	26.0	15.00	12.50
TCHD30S4(3,4)S3	TMLV120C20MP12C	21.0	CF/CM/CU36C	1150	30.0	25.8	15.00	12.50
TCHD30S4(3,4)S3	TMLV120C20MP12C	21.0	CF/CM/CU42C	1150	30.0	26.0	15.00	12.50
TCHD30S4(3,4)S3	TMLV120C20MP12C	21.0	CF/CM/CU48C	1150	30.0	26.2	15.00	12.50
TCHD30S4(3,4)S3	TMLV120C20MP12C	21.0	CF/CM/CU48D	1150	30.0	26.2	15.00	12.50
TCHD30S4(3,4)S3	TMLV120C20MP12C	21.0	CF/CM30C	1150	30.0	23.8	15.00	12.50
TCHD30S4(3,4)S3	TMLV120C20MP12C	21.0	CF/CM36D	1150	30.0	26.0	15.00	12.50
TCHD30S4(3,4)S3	TMLV120C20MP12C	21.0	CF/CM42D	1150	30.0	26.0	15.00	12.50
TCHD30S4(3,4)S3	TMLX060A12MP11	14.5	CF/CM/CU30B	925	30.0	23.1	15.00	12.50
TCHD30S4(3,4)S3	TMLX060A12MP11	14.5	CF/CM/CU36B	925	30.0	23.0	15.00	12.50
TCHD30S4(3,4)S3	TMLX060A12MP11	14.5	CF42B	925	30.0	23.1	15.00	12.50
TCHD30S4(3,4)S3	TMLX080B12MP11	17.5	CF/CM/CU30B	825	29.6	21.7	15.00	12.50
TCHD30S4(3,4)S3	TMLX080B12MP11	17.5	CF/CM/CU36B	825	29.8	22.0	15.00	12.50
TCHD30S4(3,4)S3	TMLX080B12MP11	17.5	CF/CM/CU36C	825	29.8	22.0	15.00	12.50
TCHD30S4(3,4)S3	TMLX080B12MP11	17.5	CF/CM/CU42C	825	30.0	21.9	15.00	12.50
TCHD30S4(3,4)S3	TMLX080B12MP11	17.5	CF/CM/CU48C	850	30.0	22.1	15.00	12.50
TCHD30S4(3,4)S3	TMLX080B12MP11	17.5	CF/CM30C	825	29.6	21.7	15.00	12.50
TCHD30S4(3,4)S3	TMLX080B12MP11	17.5	CF42B	800	29.6	21.4	15.00	12.50
TCHD30S4(3,4)S3	TMLX080C16MP11	21.0	CF/CM/CU36C	950	30.0	23.5	15.00	12.50
TCHD30S4(3,4)S3	TMLX080C16MP11	21.0	CF/CM/CU42C	950	30.0	23.6	15.00	12.50
TCHD30S4(3,4)S3	TMLX080C16MP11	21.0	CF/CM/CU48C	950	30.0	23.6	15.00	12.50
TCHD30S4(3,4)S3	TMLX080C16MP11	21.0	CF/CM/CU48D	975	30.0	24.1	15.00	12.50
TCHD30S4(3,4)S3	TMLX080C16MP11	21.0	CF/CM30C	950	30.0	23.4	15.00	12.50
TCHD30S4(3,4)S3	TMLX080C16MP11	21.0	CF/CM36D	975	30.0	23.6	15.00	12.50
TCHD30S4(3,4)S3	TMLX080C16MP11	21.0	CF/CM42D	975	30.0	24.0	15.00	12.50
TCHD30S4(3,4)S3	TMLX100C16MP11	21.0	CF/CM/CU36C	950	30.0	23.5	15.00	12.50
TCHD30S4(3,4)S3	TMLX100C16MP11	21.0	CF/CM/CU42C	950	30.0	23.6	15.00	12.50
TCHD30S4(3,4)S3	TMLX100C16MP11	21.0	CF/CM/CU48C	950	30.0	23.6	15.00	12.50
TCHD30S4(3,4)S3	TMLX100C16MP11	21.0	CF/CM/CU48D	975	30.0	24.1	15.00	12.50
TCHD30S4(3,4)S3	TMLX100C16MP11	21.0	CF/CM30C	950	30.0	23.4	15.00	12.50
TCHD30S4(3,4)S3	TMLX100C16MP11	21.0	CF/CM36D	975	30.0	23.6	15.00	12.50
TCHD30S4(3,4)S3	TMLX100C16MP11	21.0	CF/CM42D	975	30.0	24.0	15.00	12.50
TCHD30S4(3,4)S3	TMLX100C20MP11	21.0	CF/CM/CU36C	1000	30.0	24.2	15.00	12.50
TCHD30S4(3,4)S3	TMLX100C20MP11	21.0	CF/CM/CU42C	1000	30.0	24.2	15.00	12.50

COOLING CAPACITY - With High Efficiency Motor Furnaces (Continued)

UNIT MODEL	FURNACE		COIL MODEL ¹	COOLING				
	MODEL	WIDTH		RATED CFM	Net MBH		SEER	EER
					TOTAL	SENS.		
TCHD30S4(3,4)S3	TMLX100C20MP11	21.0	CF/CM/CU48C	1000	30.0	24.3	15.00	12.50
TCHD30S4(3,4)S3	TMLX100C20MP11	21.0	CF/CM/CU48D	1000	30.0	24.3	15.00	12.50
TCHD30S4(3,4)S3	TMLX100C20MP11	21.0	CF/CM30C	1000	30.0	24.0	15.00	12.50
TCHD30S4(3,4)S3	TMLX100C20MP11	21.0	CF/CM36D	1000	30.0	24.2	15.00	12.50
TCHD30S4(3,4)S3	TMLX100C20MP11	21.0	CF/CM42D	1000	30.0	24.2	15.00	12.50
TCHD30S4(3,4)S3	TMLX120C20MP11	21.0	CF/CM/CU36C	1000	30.0	24.2	15.00	12.50
TCHD30S4(3,4)S3	TMLX120C20MP11	21.0	CF/CM/CU42C	1000	30.0	24.2	15.00	12.50
TCHD30S4(3,4)S3	TMLX120C20MP11	21.0	CF/CM/CU48C	1000	30.0	24.3	15.00	12.50
TCHD30S4(3,4)S3	TMLX120C20MP11	21.0	CF/CM/CU48D	1000	30.0	24.3	15.00	12.50
TCHD30S4(3,4)S3	TMLX120C20MP11	21.0	CF/CM30C	1000	30.0	24.0	15.00	12.50
TCHD30S4(3,4)S3	TMLX120C20MP11	21.0	CF/CM36D	1000	30.0	24.2	15.00	12.50
TCHD30S4(3,4)S3	TMLX120C20MP11	21.0	CF/CM42D	1000	30.0	24.2	15.00	12.50
TCHD30S4(3,4)S3	TP9C060B12MP13C	17.5	CF/CM/CU30B	875	29.2	22.0	14.00	12.25
TCHD30S4(3,4)S3	TP9C060B12MP13C	17.5	CF/CM/CU36B	875	29.4	22.0	14.25	12.25
TCHD30S4(3,4)S3	TP9C060B12MP13C	17.5	CF/CM/CU36C	875	29.4	22.0	14.25	12.25
TCHD30S4(3,4)S3	TP9C060B12MP13C	17.5	CF/CM/CU42C	1000	30.0	23.6	14.25	12.50
TCHD30S4(3,4)S3	TP9C060B12MP13C	17.5	CF/CM/CU48C	1000	30.0	23.8	14.25	12.50
TCHD30S4(3,4)S3	TP9C060B12MP13C	17.5	CF/CM30C	875	29.2	22.0	14.00	12.25
TCHD30S4(3,4)S3	TP9C060B12MP13C	17.5	CF42B	875	29.6	22.0	14.25	12.50
TCHD30S4(3,4)S3	TP9C080B12MP13C	17.5	CF/CM/CU30B	1075	30.0	24.4	14.00	12.25
TCHD30S4(3,4)S3	TP9C080B12MP13C	17.5	CF/CM/CU36B	1075	30.0	24.2	14.00	12.25
TCHD30S4(3,4)S3	TP9C080B12MP13C	17.5	CF/CM/CU36C	800	29.0	20.9	14.25	12.25
TCHD30S4(3,4)S3	TP9C080B12MP13C	17.5	CF/CM/CU42C	800	29.2	21.0	14.25	12.50
TCHD30S4(3,4)S3	TP9C080B12MP13C	17.5	CF/CM/CU48C	800	29.4	21.1	14.25	12.50
TCHD30S4(3,4)S3	TP9C080B12MP13C	17.5	CF/CM30C	875	29.2	22.0	14.00	12.25
TCHD30S4(3,4)S3	TP9C080B12MP13C	17.5	CF42B	1075	30.0	24.5	14.00	12.50
TCHD30S4(3,4)S3	TP9C080C16MP13C	21.0	CF/CM/CU36C	1025	30.0	24.2	14.00	12.25
TCHD30S4(3,4)S3	TP9C080C16MP13C	21.0	CF/CM/CU42C	1025	30.0	24.0	14.25	12.50
TCHD30S4(3,4)S3	TP9C080C16MP13C	21.0	CF/CM/CU48C	1025	30.0	24.0	14.25	12.50
TCHD30S4(3,4)S3	TP9C080C16MP13C	21.0	CF/CM/CU48D	950	30.0	23.6	15.00	12.50
TCHD30S4(3,4)S3	TP9C080C16MP13C	21.0	CF/CM30C	1025	29.8	23.8	14.00	12.25
TCHD30S4(3,4)S3	TP9C080C16MP13C	21.0	CF/CM36D	1025	30.0	24.2	14.00	12.25
TCHD30S4(3,4)S3	TP9C080C16MP13C	21.0	CF/CM42D	1025	30.0	24.0	14.25	12.50
TCHD30S4(3,4)S3	TP9C100C16MP13C	21.0	CF/CM/CU36C	1000	30.0	23.6	14.00	12.25
TCHD30S4(3,4)S3	TP9C100C16MP13C	21.0	CF/CM/CU42C	1000	30.0	23.6	14.25	12.50
TCHD30S4(3,4)S3	TP9C100C16MP13C	21.0	CF/CM/CU48C	1075	30.0	24.6	14.25	12.50
TCHD30S4(3,4)S3	TP9C100C16MP13C	21.0	CF/CM/CU48D	900	30.0	23.0	15.00	12.50
TCHD30S4(3,4)S3	TP9C100C16MP13C	21.0	CF/CM30C	1000	29.8	23.5	14.00	12.25
TCHD30S4(3,4)S3	TP9C100C16MP13C	21.0	CF/CM36D	1050	30.0	24.3	14.00	12.25
TCHD30S4(3,4)S3	TP9C100C16MP13C	21.0	CF/CM42D	1075	30.0	24.5	14.00	12.50
TCHD30S4(3,4)S3	TP9C100C20MP13C	21.0	CF/CM/CU36C	1100	30.0	25.0	14.00	12.25
TCHD30S4(3,4)S3	TP9C100C20MP13C	21.0	CF/CM/CU42C	1100	30.0	24.9	14.25	12.50
TCHD30S4(3,4)S3	TP9C100C20MP13C	21.0	CF/CM/CU48C	1100	30.0	24.9	14.25	12.50
TCHD30S4(3,4)S3	TP9C100C20MP13C	21.0	CF/CM/CU48D	1100	30.0	25.3	15.00	12.50
TCHD30S4(3,4)S3	TP9C100C20MP13C	21.0	CF/CM30C	1100	30.0	25.1	15.00	12.50
TCHD30S4(3,4)S3	TP9C100C20MP13C	21.0	CF/CM36D	1100	30.0	25.0	14.00	12.25
TCHD30S4(3,4)S3	TP9C100C20MP13C	21.0	CF/CM42D	1100	30.0	24.9	14.25	12.50
TCHD30S4(3,4)S3	TP9C120D20MP13C	24.5	CF/CM/CU48D	1050	30.0	24.1	14.25	12.50
TCHD30S4(3,4)S3	TP9C120D20MP13C	24.5	CF/CM36D	1050	30.0	24.3	14.00	12.25
TCHD30S4(3,4)S3	TP9C120D20MP13C	24.5	CF/CM42D	1050	30.0	24.2	14.25	12.50
TCHD30S4(3,4)S3	TPLC060A12MP13C	14.5	CF/CM/CU30B	875	29.2	22.0	14.00	12.25
TCHD30S4(3,4)S3	TPLC060A12MP13C	14.5	CF/CM/CU36B	1075	30.0	24.2	14.00	12.25
TCHD30S4(3,4)S3	TPLC060A12MP13C	14.5	CF/CM36A	900	29.6	22.2	14.25	12.50

COOLING CAPACITY - With High Efficiency Motor Furnaces (Continued)

UNIT MODEL	FURNACE		COIL MODEL ¹	COOLING				
	MODEL	WIDTH		RATED CFM	Net MBH		SEER	EER
					TOTAL	SENS.		
TCHD30S4(3,4)S3	TPLC060A12MP13C	14.5	CF42B	1075	30.0	24.5	14.00	12.50
TCHD30S4(3,4)S3	TPLC080B12MP13C	17.5	CF/CM/CU30B	825	29.0	21.3	14.00	12.25
TCHD30S4(3,4)S3	TPLC080B12MP13C	17.5	CF/CM/CU36B	825	29.4	21.3	14.25	12.50
TCHD30S4(3,4)S3	TPLC080B12MP13C	17.5	CF/CM/CU36C	825	29.4	21.3	14.25	12.50
TCHD30S4(3,4)S3	TPLC080B12MP13C	17.5	CF/CM/CU42C	1000	30.0	23.6	14.25	12.50
TCHD30S4(3,4)S3	TPLC080B12MP13C	17.5	CF/CM/CU48C	1000	30.0	23.8	14.25	12.50
TCHD30S4(3,4)S3	TPLC080B12MP13C	17.5	CF/CM30C	1000	29.8	23.5	14.00	12.25
TCHD30S4(3,4)S3	TPLC080B12MP13C	17.5	CF42B	1000	30.0	23.6	14.25	12.50
TCHD30S4(3,4)S3	TPLC080C16MP13C	21.0	CF/CM/CU36C	875	29.4	22.0	14.25	12.25
TCHD30S4(3,4)S3	TPLC080C16MP13C	21.0	CF/CM/CU42C	875	29.6	22.0	14.25	12.50
TCHD30S4(3,4)S3	TPLC080C16MP13C	21.0	CF/CM/CU48C	1050	30.0	24.1	14.25	12.50
TCHD30S4(3,4)S3	TPLC080C16MP13C	21.0	CF/CM/CU48D	875	30.0	22.9	15.00	12.50
TCHD30S4(3,4)S3	TPLC080C16MP13C	21.0	CF/CM30C	875	29.2	22.0	14.00	12.25
TCHD30S4(3,4)S3	TPLC080C16MP13C	21.0	CF/CM36D	875	29.4	22.0	14.25	12.25
TCHD30S4(3,4)S3	TPLC080C16MP13C	21.0	CF/CM42D	875	29.6	22.0	14.25	12.50
TCHD30S4(3,4)S3	TPLC100C16MP13C	21.0	CF/CM/CU36C	875	29.4	22.0	14.25	12.25
TCHD30S4(3,4)S3	TPLC100C16MP13C	21.0	CF/CM/CU42C	875	29.6	22.0	14.25	12.50
TCHD30S4(3,4)S3	TPLC100C16MP13C	21.0	CF/CM/CU48C	1050	30.0	24.1	14.25	12.50
TCHD30S4(3,4)S3	TPLC100C16MP13C	21.0	CF/CM/CU48D	875	30.0	22.9	15.00	12.50
TCHD30S4(3,4)S3	TPLC100C16MP13C	21.0	CF/CM30C	875	29.2	22.0	14.00	12.25
TCHD30S4(3,4)S3	TPLC100C16MP13C	21.0	CF/CM36D	875	29.4	22.0	14.25	12.25
TCHD30S4(3,4)S3	TPLC100C16MP13C	21.0	CF/CM42D	875	29.6	22.0	14.25	12.50
TCHD30S4(3,4)S3	TPLC100C20MP13C	21.0	CF/CM/CU36C	1150	30.0	25.8	15.00	12.50
TCHD30S4(3,4)S3	TPLC100C20MP13C	21.0	CF/CM/CU42C	1150	30.0	26.0	15.00	12.50
TCHD30S4(3,4)S3	TPLC100C20MP13C	21.0	CF/CM/CU48C	1150	30.0	26.2	15.00	12.50
TCHD30S4(3,4)S3	TPLC100C20MP13C	21.0	CF/CM/CU48D	1150	30.0	26.2	15.00	12.50
TCHD30S4(3,4)S3	TPLC100C20MP13C	21.0	CF/CM30C	1150	30.0	23.8	15.00	12.50
TCHD30S4(3,4)S3	TPLC100C20MP13C	21.0	CF/CM36D	1150	30.0	26.0	15.00	12.50
TCHD30S4(3,4)S3	TPLC100C20MP13C	21.0	CF/CM42D	1150	30.0	26.0	15.00	12.50
TCHD30S4(3,4)S3	TPLC120C20MP13C	21.0	CF/CM/CU36C	1150	30.0	25.8	15.00	12.50
TCHD30S4(3,4)S3	TPLC120C20MP13C	21.0	CF/CM/CU42C	1150	30.0	26.0	15.00	12.50
TCHD30S4(3,4)S3	TPLC120C20MP13C	21.0	CF/CM/CU48C	1150	30.0	26.2	15.00	12.50
TCHD30S4(3,4)S3	TPLC120C20MP13C	21.0	CF/CM/CU48D	1150	30.0	26.2	15.00	12.50
TCHD30S4(3,4)S3	TPLC120C20MP13C	21.0	CF/CM30C	1150	30.0	23.8	15.00	12.50
TCHD30S4(3,4)S3	TPLC120C20MP13C	21.0	CF/CM36D	1150	30.0	26.0	15.00	12.50
TCHD30S4(3,4)S3	TPLC120C20MP13C	21.0	CF/CM42D	1150	30.0	26.0	15.00	12.50
TCHD30S4(3,4)S3	CP9C060B12MP13C	17.5	CF/CM/CU30B	875	29.2	22.0	14.00	12.25
TCHD30S4(3,4)S3	CP9C060B12MP13C	17.5	CF/CM/CU36B	875	29.4	22.0	14.25	12.25
TCHD30S4(3,4)S3	CP9C060B12MP13C	17.5	CF/CM/CU36C	875	29.4	22.0	14.25	12.25
TCHD30S4(3,4)S3	CP9C060B12MP13C	17.5	CF/CM/CU42C	1000	30.0	23.6	14.25	12.50
TCHD30S4(3,4)S3	CP9C060B12MP13C	17.5	CF/CM/CU48C	1000	30.0	23.8	14.25	12.50
TCHD30S4(3,4)S3	CP9C060B12MP13C	17.5	CF/CM30C	875	29.2	22.0	14.00	12.25
TCHD30S4(3,4)S3	CP9C060B12MP13C	17.5	CF42B	875	29.6	22.0	14.25	12.50
TCHD30S4(3,4)S3	CP9C080B12MP13C	17.5	CF/CM/CU30B	1075	30.0	24.4	14.00	12.25
TCHD30S4(3,4)S3	CP9C080B12MP13C	17.5	CF/CM/CU36B	1075	30.0	24.2	14.00	12.25
TCHD30S4(3,4)S3	CP9C080B12MP13C	17.5	CF/CM/CU36C	800	29.0	20.9	14.25	12.25
TCHD30S4(3,4)S3	CP9C080B12MP13C	17.5	CF/CM/CU42C	800	29.2	21.0	14.25	12.50
TCHD30S4(3,4)S3	CP9C080B12MP13C	17.5	CF/CM/CU48C	800	29.4	21.1	14.25	12.50
TCHD30S4(3,4)S3	CP9C080B12MP13C	17.5	CF/CM30C	875	29.2	22.0	14.00	12.25
TCHD30S4(3,4)S3	CP9C080B12MP13C	17.5	CF42B	1075	30.0	24.5	14.00	12.50
TCHD30S4(3,4)S3	CP9C080C16MP13C	21.0	CF/CM/CU36C	1025	30.0	24.2	14.00	12.25
TCHD30S4(3,4)S3	CP9C080C16MP13C	21.0	CF/CM/CU42C	1025	30.0	24.0	14.25	12.50
TCHD30S4(3,4)S3	CP9C080C16MP13C	21.0	CF/CM/CU48C	1025	30.0	24.0	14.25	12.50

COOLING CAPACITY - With High Efficiency Motor Furnaces (Continued)

UNIT MODEL	FURNACE		COIL MODEL ¹	COOLING				
	MODEL	WIDTH		RATED CFM	Net MBH		SEER	EER
					TOTAL	SENS.		
TCHD30S4(3,4)S3	CP9C080C16MP13C	21.0	CF/CM/CU48D	950	30.0	23.6	15.00	12.50
TCHD30S4(3,4)S3	CP9C080C16MP13C	21.0	CF/CM30C	1025	29.8	23.8	14.00	12.25
TCHD30S4(3,4)S3	CP9C080C16MP13C	21.0	CF/CM36D	1025	30.0	24.2	14.00	12.25
TCHD30S4(3,4)S3	CP9C080C16MP13C	21.0	CF/CM42D	1025	30.0	24.0	14.25	12.50
TCHD30S4(3,4)S3	CP9C100C16MP13C	21.0	CF/CM/CU36C	1000	30.0	23.6	14.00	12.25
TCHD30S4(3,4)S3	CP9C100C16MP13C	21.0	CF/CM/CU42C	1000	30.0	23.6	14.25	12.50
TCHD30S4(3,4)S3	CP9C100C16MP13C	21.0	CF/CM/CU48C	1075	30.0	24.6	14.25	12.50
TCHD30S4(3,4)S3	CP9C100C16MP13C	21.0	CF/CM/CU48D	900	30.0	23.0	15.00	12.50
TCHD30S4(3,4)S3	CP9C100C16MP13C	21.0	CF/CM30C	1000	29.8	23.5	14.00	12.25
TCHD30S4(3,4)S3	CP9C100C16MP13C	21.0	CF/CM36D	1050	30.0	24.3	14.00	12.25
TCHD30S4(3,4)S3	CP9C100C16MP13C	21.0	CF/CM42D	1075	30.0	24.5	14.00	12.50
TCHD30S4(3,4)S3	CP9C100C20MP13C	21.0	CF/CM/CU36C	1100	30.0	25.0	14.00	12.25
TCHD30S4(3,4)S3	CP9C100C20MP13C	21.0	CF/CM/CU42C	1100	30.0	24.9	14.25	12.50
TCHD30S4(3,4)S3	CP9C100C20MP13C	21.0	CF/CM/CU48C	1100	30.0	24.9	14.25	12.50
TCHD30S4(3,4)S3	CP9C100C20MP13C	21.0	CF/CM/CU48D	1100	30.0	25.3	15.00	12.50
TCHD30S4(3,4)S3	CP9C100C20MP13C	21.0	CF/CM30C	1100	30.0	25.1	15.00	12.50
TCHD30S4(3,4)S3	CP9C100C20MP13C	21.0	CF/CM36D	1100	30.0	25.0	14.00	12.25
TCHD30S4(3,4)S3	CP9C100C20MP13C	21.0	CF/CM42D	1100	30.0	24.9	14.25	12.50
TCHD30S4(3,4)S3	CP9C120D20MP13C	24.5	CF/CM/CU48D	1050	30.0	24.1	14.25	12.50
TCHD30S4(3,4)S3	CP9C120D20MP13C	24.5	CF/CM36D	1050	30.0	24.3	14.00	12.25
TCHD30S4(3,4)S3	CP9C120D20MP13C	24.5	CF/CM42D	1050	30.0	24.2	14.25	12.50
TCHD30S4(3,4)S3	CPLC060A12MP13C	14.5	CF/CM/CU30B	875	29.2	22.0	14.00	12.25
TCHD30S4(3,4)S3	CPLC060A12MP13C	14.5	CF/CM/CU36B	1075	30.0	24.2	14.00	12.25
TCHD30S4(3,4)S3	CPLC060A12MP13C	14.5	CF/CM36A	900	29.6	22.2	14.25	12.50
TCHD30S4(3,4)S3	CPLC060A12MP13C	14.5	CF42B	1075	30.0	24.5	14.00	12.50
TCHD30S4(3,4)S3	CPLC080B12MP13C	17.5	CF/CM/CU30B	825	29.0	21.3	14.00	12.25
TCHD30S4(3,4)S3	CPLC080B12MP13C	17.5	CF/CM/CU36B	825	29.4	21.3	14.25	12.50
TCHD30S4(3,4)S3	CPLC080B12MP13C	17.5	CF/CM/CU36C	825	29.4	21.3	14.25	12.50
TCHD30S4(3,4)S3	CPLC080B12MP13C	17.5	CF/CM/CU42C	1000	30.0	23.6	14.25	12.50
TCHD30S4(3,4)S3	CPLC080B12MP13C	17.5	CF/CM/CU48C	1000	30.0	23.8	14.25	12.50
TCHD30S4(3,4)S3	CPLC080B12MP13C	17.5	CF/CM30C	1000	29.8	23.5	14.00	12.25
TCHD30S4(3,4)S3	CPLC080B12MP13C	17.5	CF42B	1000	30.0	23.6	14.25	12.50
TCHD30S4(3,4)S3	CPLC080C16MP13C	21.0	CF/CM/CU36C	875	29.4	22.0	14.25	12.25
TCHD30S4(3,4)S3	CPLC080C16MP13C	21.0	CF/CM/CU42C	875	29.6	22.0	14.25	12.50
TCHD30S4(3,4)S3	CPLC080C16MP13C	21.0	CF/CM/CU48C	1050	30.0	24.1	14.25	12.50
TCHD30S4(3,4)S3	CPLC080C16MP13C	21.0	CF/CM/CU48D	875	30.0	22.9	15.00	12.50
TCHD30S4(3,4)S3	CPLC080C16MP13C	21.0	CF/CM30C	875	29.2	22.0	14.00	12.25
TCHD30S4(3,4)S3	CPLC080C16MP13C	21.0	CF/CM36D	875	29.4	22.0	14.25	12.25
TCHD30S4(3,4)S3	CPLC080C16MP13C	21.0	CF/CM42D	875	29.6	22.0	14.25	12.50
TCHD30S4(3,4)S3	CPLC100C16MP13C	21.0	CF/CM/CU36C	875	29.4	22.0	14.25	12.25
TCHD30S4(3,4)S3	CPLC100C16MP13C	21.0	CF/CM/CU42C	875	29.6	22.0	14.25	12.50
TCHD30S4(3,4)S3	CPLC100C16MP13C	21.0	CF/CM/CU48C	1050	30.0	24.1	14.25	12.50
TCHD30S4(3,4)S3	CPLC100C16MP13C	21.0	CF/CM/CU48D	875	30.0	22.9	15.00	12.50
TCHD30S4(3,4)S3	CPLC100C16MP13C	21.0	CF/CM30C	875	29.2	22.0	14.00	12.25
TCHD30S4(3,4)S3	CPLC100C16MP13C	21.0	CF/CM36D	875	29.4	22.0	14.25	12.25
TCHD30S4(3,4)S3	CPLC100C16MP13C	21.0	CF/CM42D	875	29.6	22.0	14.25	12.50
TCHD30S4(3,4)S3	CPLC100C20MP13C	21.0	CF/CM/CU36C	1150	30.0	25.8	15.00	12.50
TCHD30S4(3,4)S3	CPLC100C20MP13C	21.0	CF/CM/CU42C	1150	30.0	26.0	15.00	12.50
TCHD30S4(3,4)S3	CPLC100C20MP13C	21.0	CF/CM/CU48C	1150	30.0	26.2	15.00	12.50
TCHD30S4(3,4)S3	CPLC100C20MP13C	21.0	CF/CM/CU48D	1150	30.0	26.2	15.00	12.50
TCHD30S4(3,4)S3	CPLC100C20MP13C	21.0	CF/CM30C	1150	30.0	23.8	15.00	12.50
TCHD30S4(3,4)S3	CPLC100C20MP13C	21.0	CF/CM36D	1150	30.0	26.0	15.00	12.50
TCHD30S4(3,4)S3	CPLC100C20MP13C	21.0	CF/CM42D	1150	30.0	26.0	15.00	12.50

COOLING CAPACITY - With High Efficiency Motor Furnaces (Continued)

UNIT MODEL	FURNACE		COIL MODEL ¹	COOLING				
	MODEL	WIDTH		RATED CFM	Net MBH		SEER	EER
					TOTAL	SENS.		
TCHD30S4(3,4)S3	CPLC120C20MP13C	21.0	CF/CM/CU36C	1150	30.0	25.8	15.00	12.50
TCHD30S4(3,4)S3	CPLC120C20MP13C	21.0	CF/CM/CU42C	1150	30.0	26.0	15.00	12.50
TCHD30S4(3,4)S3	CPLC120C20MP13C	21.0	CF/CM/CU48C	1150	30.0	26.2	15.00	12.50
TCHD30S4(3,4)S3	CPLC120C20MP13C	21.0	CF/CM/CU48D	1150	30.0	26.2	15.00	12.50
TCHD30S4(3,4)S3	CPLC120C20MP13C	21.0	CF/CM30C	1150	30.0	23.8	15.00	12.50
TCHD30S4(3,4)S3	CPLC120C20MP13C	21.0	CF/CM36D	1150	30.0	26.0	15.00	12.50
TCHD30S4(3,4)S3	CPLC120C20MP13C	21.0	CF/CM42D	1150	30.0	26.0	15.00	12.50
TCHD30S4(3,4)S3	T*(8,L)C*A12	14.5	FC/MC/PC32A	1045	28.0	21.0	13.65	12.10
TCHD30S4(3,4)S3	T*(8,L)C*A12	14.5	FC/MC/PC37A	980	28.8	21.6	14.50	12.80
TCHD30S4(3,4)S3	T*(8,L)C*A12	14.5	HD36	1000	28.0	20.2	14.30	12.65
TCHD30S4(3,4)S3	T*(8,L)C*B12	17.5	FC/MC/PC35B	995	28.4	21.2	14.50	12.75
TCHD30S4(3,4)S3	T*(8,L)C*B12	17.5	FC/MC/PC43B	990	28.8	21.8	15.00	13.20
TCHD30S4(3,4)S3	T*(8,L)C*B12	17.5	HD36	985	28.0	20.4	14.65	13.00
TCHD30S4(3,4)S3	T*(8,L)C*C16	21.0	FC/MC/PC35C	1025	28.4	21.4	15.00	13.15
TCHD30S4(3,4)S3	T*(8,L)C*C16	21.0	FC/MC/PC43C	990	29.0	21.8	15.35	13.60
TCHD30S4(3,4)S3	T*(8,L)C*C16	21.0	HD36	1020	28.2	20.4	14.80	13.05
TCHD30S4(3,4)S3	T*(8,L)C*C20	21.0	FC/MC/PC35C	1080	28.8	22.2	15.00	13.00
TCHD30S4(3,4)S3	T*(8,L)C*C20	21.0	FC/MC/PC43C	1000	29.0	21.8	15.40	13.65
TCHD30S4(3,4)S3	T*(8,L)C*C20	21.0	HD36	1055	28.4	21.0	15.00	13.25
TCHD30S4(3,4)S3	T*(8,L)V*A12	14.5	FC/MC/PC32A	1045	28.0	21.0	13.65	12.10
TCHD30S4(3,4)S3	T*(8,L)V*A12	14.5	FC/MC/PC37A	980	28.8	21.6	14.50	12.80
TCHD30S4(3,4)S3	T*(8,L)V*A12	14.5	HD36	1000	28.0	20.2	14.30	12.65
TCHD30S4(3,4)S3	T*(8,L)V*B12	17.5	FC/MC/PC35B	995	28.4	21.2	14.50	12.75
TCHD30S4(3,4)S3	T*(8,L)V*B12	17.5	FC/MC/PC43B	990	28.8	21.8	15.00	13.20
TCHD30S4(3,4)S3	T*(8,L)V*B12	17.5	HD36	985	28.0	20.4	14.65	13.00
TCHD30S4(3,4)S3	T*(8,L)V*C16	21.0	FC/MC/PC35C	1025	28.4	21.4	15.00	13.15
TCHD30S4(3,4)S3	T*(8,L)V*C16	21.0	FC/MC/PC43C	990	29.0	21.8	15.35	13.60
TCHD30S4(3,4)S3	T*(8,L)V*C16	21.0	HD36	1020	28.2	20.4	14.80	13.05
TCHD30S4(3,4)S3	T*(8,L)V*C20	21.0	FC/MC/PC35C	1080	28.8	22.2	15.00	13.00
TCHD30S4(3,4)S3	T*(8,L)V*C20	21.0	FC/MC/PC43C	1000	29.0	21.8	15.40	13.65
TCHD30S4(3,4)S3	T*(8,L)V*C20	21.0	HD36	1055	28.4	21.0	15.00	13.25
TCHD30S4(3,4)S3	T*9(C,V)*B12	17.5	FC/MC/PC35B	1045	28.2	21.6	14.25	12.50
TCHD30S4(3,4)S3	T*9(C,V)*B12	17.5	FC/MC/PC43B	1035	28.8	21.6	14.50	12.85
TCHD30S4(3,4)S3	T*9(C,V)*B12	17.5	HD36	985	28.0	20.4	14.60	12.85
TCHD30S4(3,4)S3	T*9(C,V)*C16	21.0	FC/MC/PC35C	1005	28.4	21.4	15.00	13.10
TCHD30S4(3,4)S3	T*9(C,V)*C16	21.0	FC/MC/PC43C	1030	28.8	21.6	14.80	13.15
TCHD30S4(3,4)S3	T*9(C,V)*C16	21.0	HD36	1005	28.2	20.4	14.85	13.05
TCHD30S4(3,4)S3	T*9(C,V)*C20	21.0	FC/MC/PC35C	985	28.4	21.4	15.00	13.10
TCHD30S4(3,4)S3	T*9(C,V)*C20	21.0	FC/MC/PC43C	995	29.0	21.8	15.20	13.45
TCHD30S4(3,4)S3	T*9(C,V)*C20	21.0	HD36	1045	28.0	20.4	14.65	13.00
TCHD30S4(3,4)S3	TM8X060A12MP11	14.5	FC/MC/PC32A	1025	28.0	21.0	13.55	11.95
TCHD30S4(3,4)S3	TM8X060A12MP11	14.5	FC/MC/PC37A	1025	28.4	21.4	13.80	12.15
TCHD30S4(3,4)S3	TM8X080B12MP11	17.5	FC/MC/PC35B	950	28.2	20.8	14.50	12.75
TCHD30S4(3,4)S3	TM8X080B12MP11	17.5	FC/MC/PC43B	975	29.0	21.8	14.75	12.75
TCHD30S4(3,4)S3	TM8X080C16MP11	21.0	FC/MC/PC35C	975	28.8	21.6	15.00	13.00
TCHD30S4(3,4)S3	TM8X080C16MP11	21.0	FC/MC/PC43C	950	28.6	21.4	15.00	13.00
TCHD30S4(3,4)S3	TM8X080C16MP11	21.0	FC/MC/PC48C	975	28.8	21.4	15.00	13.00
TCHD30S4(3,4)S3	TM8X080C16MP11	21.0	FC/MC/PC48D	975	28.8	21.4	15.00	13.00
TCHD30S4(3,4)S3	TM8X080C16MP11	21.0	UC48C	975	28.6	21.6	14.75	13.00
TCHD30S4(3,4)S3	TM8X080C16MP11	21.0	UC48D	975	28.6	21.6	15.00	13.00
TCHD30S4(3,4)S3	TM8X100C16MP11	21.0	FC/MC/PC35C	975	28.8	21.6	15.00	13.00
TCHD30S4(3,4)S3	TM8X100C16MP11	21.0	FC/MC/PC43C	950	28.6	21.4	15.00	13.00
TCHD30S4(3,4)S3	TM8X100C16MP11	21.0	FC/MC/PC48C	975	28.8	21.4	15.00	13.00

COOLING CAPACITY - With High Efficiency Motor Furnaces (Continued)

UNIT MODEL	FURNACE		COIL MODEL ¹	COOLING				
	MODEL	WIDTH		RATED CFM	Net MBH		SEER	EER
					TOTAL	SENS.		
TCHD30S4(3,4)S3	TM8X100C16MP11	21.0	FC/MC/PC48D	975	28.8	21.4	15.00	13.00
TCHD30S4(3,4)S3	TM8X100C16MP11	21.0	UC48C	975	28.6	21.6	14.75	13.00
TCHD30S4(3,4)S3	TM8X100C16MP11	21.0	UC48D	975	28.6	21.6	15.00	13.00
TCHD30S4(3,4)S3	TM8X100C20MP11	21.0	FC/MC/PC35C	1000	28.6	21.6	14.75	13.00
TCHD30S4(3,4)S3	TM8X100C20MP11	21.0	FC/MC/PC43C	1000	29.0	22.0	15.00	13.00
TCHD30S4(3,4)S3	TM8X100C20MP11	21.0	FC/MC/PC48C	1000	29.2	21.8	15.35	13.40
TCHD30S4(3,4)S3	TM8X100C20MP11	21.0	FC/MC/PC48D	1000	29.0	21.8	15.00	13.00
TCHD30S4(3,4)S3	TM8X100C20MP11	21.0	UC48C	1000	28.4	21.4	14.75	12.75
TCHD30S4(3,4)S3	TM8X100C20MP11	21.0	UC48D	1000	28.4	21.4	14.75	12.75
TCHD30S4(3,4)S3	TM8X120C20MP11	21.0	FC/MC/PC35C	1000	28.6	21.6	14.75	13.00
TCHD30S4(3,4)S3	TM8X120C20MP11	21.0	FC/MC/PC43C	1000	29.0	22.0	15.00	13.00
TCHD30S4(3,4)S3	TM8X120C20MP11	21.0	FC/MC/PC48C	1000	29.2	21.8	15.35	13.40
TCHD30S4(3,4)S3	TM8X120C20MP11	21.0	FC/MC/PC48D	1000	29.0	21.8	15.00	13.00
TCHD30S4(3,4)S3	TM8X120C20MP11	21.0	UC48C	1000	28.4	21.4	14.75	12.75
TCHD30S4(3,4)S3	TM8X120C20MP11	21.0	UC48D	1000	28.4	21.4	14.75	12.75
TCHD30S4(3,4)S3	TM9E060B12MP11	17.5	FC/MC/PC35B	950	28.0	20.8	14.25	12.65
TCHD30S4(3,4)S3	TM9E060B12MP11	17.5	FC/MC/PC43B	950	28.4	21.2	14.50	12.50
TCHD30S4(3,4)S3	TM9E080B12MP11	17.5	FC/MC/PC35B	950	28.0	20.8	14.25	12.65
TCHD30S4(3,4)S3	TM9E080B12MP11	17.5	FC/MC/PC43B	950	28.4	21.2	14.50	12.50
TCHD30S4(3,4)S3	TM9E080C16MP11	21.0	FC/MC/PC35C	1000	28.6	21.6	14.75	13.00
TCHD30S4(3,4)S3	TM9E080C16MP11	21.0	FC/MC/PC43C	1000	29.0	21.8	15.00	13.00
TCHD30S4(3,4)S3	TM9E080C16MP11	21.0	FC/MC/PC48C	1000	29.0	21.8	15.25	13.25
TCHD30S4(3,4)S3	TM9E080C16MP11	21.0	FC/MC/PC48D	1000	29.0	21.8	15.00	13.00
TCHD30S4(3,4)S3	TM9E080C16MP11	21.0	UC48C	1000	28.4	21.4	14.50	12.75
TCHD30S4(3,4)S3	TM9E080C16MP11	21.0	UC48D	1000	28.4	21.4	14.50	12.75
TCHD30S4(3,4)S3	TM9E100C16MP11	21.0	FC/MC/PC35C	1000	28.6	21.6	14.75	13.00
TCHD30S4(3,4)S3	TM9E100C16MP11	21.0	FC/MC/PC43C	1000	29.0	21.8	15.00	13.00
TCHD30S4(3,4)S3	TM9E100C16MP11	21.0	FC/MC/PC48C	1000	29.0	21.8	15.25	13.25
TCHD30S4(3,4)S3	TM9E100C16MP11	21.0	FC/MC/PC48D	1000	29.0	21.8	15.00	13.00
TCHD30S4(3,4)S3	TM9E100C16MP11	21.0	UC48C	1000	28.4	21.4	14.50	12.75
TCHD30S4(3,4)S3	TM9E100C16MP11	21.0	UC48D	1000	28.4	21.4	14.50	12.75
TCHD30S4(3,4)S3	TM9E100C20MP11	21.0	FC/MC/PC35C	1000	28.4	21.2	13.75	12.00
TCHD30S4(3,4)S3	TM9E100C20MP11	21.0	FC/MC/PC43C	1000	28.6	21.6	14.00	12.25
TCHD30S4(3,4)S3	TM9E100C20MP11	21.0	FC/MC/PC48C	1000	28.6	21.4	13.75	12.25
TCHD30S4(3,4)S3	TM9E100C20MP11	21.0	FC/MC/PC48D	1000	28.8	21.4	14.00	12.25
TCHD30S4(3,4)S3	TM9E100C20MP11	21.0	UC48C	1000	28.0	21.2	13.75	12.00
TCHD30S4(3,4)S3	TM9E100C20MP11	21.0	UC48D	1000	28.2	21.2	13.75	12.00
TCHD30S4(3,4)S3	TM9E120D20MP11	24.5	FC/MC/PC48D	1000	28.8	21.6	14.00	12.25
TCHD30S4(3,4)S3	TM9E120D20MP11	24.5	UC48D	1000	28.2	21.2	13.75	12.00
TCHD30S4(3,4)S3	TM9X060B12MP11	17.5	FC/MC/PC35B	950	28.0	20.8	14.25	12.65
TCHD30S4(3,4)S3	TM9X060B12MP11	17.5	FC/MC/PC43B	950	28.4	21.2	14.50	12.50
TCHD30S4(3,4)S3	TM9X080B12MP11	17.5	FC/MC/PC35B	950	28.0	20.8	14.25	12.65
TCHD30S4(3,4)S3	TM9X080B12MP11	17.5	FC/MC/PC43B	950	28.4	21.2	14.50	12.50
TCHD30S4(3,4)S3	TM9X080C16MP11	21.0	FC/MC/PC35C	1000	28.6	21.6	14.75	13.00
TCHD30S4(3,4)S3	TM9X080C16MP11	21.0	FC/MC/PC43C	1000	29.0	21.8	15.00	13.00
TCHD30S4(3,4)S3	TM9X080C16MP11	21.0	FC/MC/PC48C	1000	29.0	21.8	15.25	13.25
TCHD30S4(3,4)S3	TM9X080C16MP11	21.0	FC/MC/PC48D	1000	29.0	21.8	15.00	13.00
TCHD30S4(3,4)S3	TM9X080C16MP11	21.0	UC48C	1000	28.4	21.4	14.50	12.75
TCHD30S4(3,4)S3	TM9X080C16MP11	21.0	UC48D	1000	28.4	21.4	14.50	12.75
TCHD30S4(3,4)S3	TM9X100C16MP11	21.0	FC/MC/PC35C	1000	28.6	21.6	14.75	13.00
TCHD30S4(3,4)S3	TM9X100C16MP11	21.0	FC/MC/PC43C	1000	29.0	21.8	15.00	13.00
TCHD30S4(3,4)S3	TM9X100C16MP11	21.0	FC/MC/PC48C	1000	29.0	21.8	15.25	13.25
TCHD30S4(3,4)S3	TM9X100C16MP11	21.0	FC/MC/PC48D	1000	29.0	21.8	15.00	13.00

COOLING CAPACITY - With High Efficiency Motor Furnaces (Continued)

UNIT MODEL	FURNACE		COIL MODEL ¹	COOLING				
	MODEL	WIDTH		RATED CFM	Net MBH		SEER	EER
					TOTAL	SENS.		
TCHD30S4(3,4)S3	TM9X100C16MP11	21.0	UC48C	1000	28.4	21.4	14.50	12.75
TCHD30S4(3,4)S3	TM9X100C16MP11	21.0	UC48D	1000	28.4	21.4	14.50	12.75
TCHD30S4(3,4)S3	TM9X100C20MP11	21.0	FC/MC/PC35C	1000	28.4	21.2	13.75	12.00
TCHD30S4(3,4)S3	TM9X100C20MP11	21.0	FC/MC/PC43C	1000	28.6	21.6	14.00	12.25
TCHD30S4(3,4)S3	TM9X100C20MP11	21.0	FC/MC/PC48C	1000	28.6	21.4	13.75	12.25
TCHD30S4(3,4)S3	TM9X100C20MP11	21.0	FC/MC/PC48D	1000	28.8	21.4	14.00	12.25
TCHD30S4(3,4)S3	TM9X100C20MP11	21.0	UC48C	1000	28.0	21.2	13.75	12.00
TCHD30S4(3,4)S3	TM9X100C20MP11	21.0	UC48D	1000	28.2	21.2	13.75	12.00
TCHD30S4(3,4)S3	TM9X120D20MP11	24.5	FC/MC/PC48D	1000	28.8	21.6	14.00	12.25
TCHD30S4(3,4)S3	TM9X120D20MP11	24.5	UC48D	1000	28.2	21.2	13.75	12.00
TCHD30S4(3,4)S3	TMLX060A12MP11	14.5	FC/MC/PC32A	1025	28.0	21.0	13.55	11.95
TCHD30S4(3,4)S3	TMLX060A12MP11	14.5	FC/MC/PC37A	1025	28.4	21.4	13.80	12.15
TCHD30S4(3,4)S3	TMLX080B12MP11	17.5	FC/MC/PC35B	950	28.2	20.8	14.50	12.75
TCHD30S4(3,4)S3	TMLX080B12MP11	17.5	FC/MC/PC43B	975	29.0	21.8	14.75	12.75
TCHD30S4(3,4)S3	TMLX080C16MP11	21.0	FC/MC/PC35C	975	28.8	21.6	15.00	13.00
TCHD30S4(3,4)S3	TMLX080C16MP11	21.0	FC/MC/PC43C	950	28.6	21.4	15.00	13.00
TCHD30S4(3,4)S3	TMLX080C16MP11	21.0	FC/MC/PC48C	975	28.8	21.4	15.00	13.00
TCHD30S4(3,4)S3	TMLX080C16MP11	21.0	FC/MC/PC48D	975	28.8	21.4	15.00	13.00
TCHD30S4(3,4)S3	TMLX080C16MP11	21.0	UC48C	975	28.6	21.6	14.75	13.00
TCHD30S4(3,4)S3	TMLX080C16MP11	21.0	UC48D	975	28.6	21.6	15.00	13.00
TCHD30S4(3,4)S3	TMLX100C16MP11	21.0	FC/MC/PC35C	975	28.8	21.6	15.00	13.00
TCHD30S4(3,4)S3	TMLX100C16MP11	21.0	FC/MC/PC43C	950	28.6	21.4	15.00	13.00
TCHD30S4(3,4)S3	TMLX100C16MP11	21.0	FC/MC/PC48C	975	28.8	21.4	15.00	13.00
TCHD30S4(3,4)S3	TMLX100C16MP11	21.0	FC/MC/PC48D	975	28.8	21.4	15.00	13.00
TCHD30S4(3,4)S3	TMLX100C16MP11	21.0	UC48C	975	28.6	21.6	14.75	13.00
TCHD30S4(3,4)S3	TMLX100C16MP11	21.0	UC48D	975	28.6	21.6	15.00	13.00
TCHD30S4(3,4)S3	TMLX100C20MP11	21.0	FC/MC/PC35C	1000	28.6	21.6	14.75	13.00
TCHD30S4(3,4)S3	TMLX100C20MP11	21.0	FC/MC/PC43C	1000	29.0	22.0	15.00	13.00
TCHD30S4(3,4)S3	TMLX100C20MP11	21.0	FC/MC/PC48C	1000	29.2	21.8	15.35	13.40
TCHD30S4(3,4)S3	TMLX100C20MP11	21.0	FC/MC/PC48D	1000	29.0	21.8	15.00	13.00
TCHD30S4(3,4)S3	TMLX100C20MP11	21.0	UC48C	1000	28.4	21.4	14.75	12.75
TCHD30S4(3,4)S3	TMLX100C20MP11	21.0	UC48D	1000	28.4	21.4	14.75	12.75
TCHD30S4(3,4)S3	TMLX120C20MP11	21.0	FC/MC/PC35C	1000	28.6	21.6	14.75	13.00
TCHD30S4(3,4)S3	TMLX120C20MP11	21.0	FC/MC/PC43C	1000	29.0	22.0	15.00	13.00
TCHD30S4(3,4)S3	TMLX120C20MP11	21.0	FC/MC/PC48C	1000	29.2	21.8	15.35	13.40
TCHD30S4(3,4)S3	TMLX120C20MP11	21.0	FC/MC/PC48D	1000	29.0	21.8	15.00	13.00
TCHD30S4(3,4)S3	TMLX120C20MP11	21.0	UC48C	1000	28.4	21.4	14.75	12.75
TCHD30S4(3,4)S3	TMLX120C20MP11	21.0	UC48D	1000	28.4	21.4	14.75	12.75
TCHD30S4(3,4)S3	C*(8,L)*A12	14.5	FC/MC/PC32A	1045	28.0	21.0	13.65	12.10
TCHD30S4(3,4)S3	C*(8,L)*A12	14.5	FC/MC/PC37A	980	28.8	21.6	14.50	12.80
TCHD30S4(3,4)S3	C*(8,L)*A12	14.5	HD36	1000	28.0	20.2	14.30	12.65
TCHD30S4(3,4)S3	C*(8,L)*B12	17.5	FC/MC/PC35B	995	28.4	21.2	14.50	12.75
TCHD30S4(3,4)S3	C*(8,L)*B12	17.5	FC/MC/PC43B	990	28.8	21.8	15.00	13.20
TCHD30S4(3,4)S3	C*(8,L)*B12	17.5	HD36	985	28.0	20.4	14.65	13.00
TCHD30S4(3,4)S3	C*(8,L)*C16	21.0	FC/MC/PC35C	1025	28.4	21.4	15.00	13.15
TCHD30S4(3,4)S3	C*(8,L)*C16	21.0	FC/MC/PC43C	990	29.0	21.8	15.35	13.60
TCHD30S4(3,4)S3	C*(8,L)*C16	21.0	HD36	1020	28.2	20.4	14.80	13.05
TCHD30S4(3,4)S3	C*(8,L)*C20	21.0	FC/MC/PC35C	1080	28.8	22.2	15.00	13.00
TCHD30S4(3,4)S3	C*(8,L)*C20	21.0	FC/MC/PC43C	1000	29.0	21.8	15.40	13.65
TCHD30S4(3,4)S3	C*(8,L)*C20	21.0	HD36	1055	28.4	21.0	15.00	13.25
TCHD30S4(3,4)S3	C*9C*B12	17.5	FC/MC/PC35B	1045	28.2	21.6	14.25	12.50
TCHD30S4(3,4)S3	C*9C*B12	17.5	FC/MC/PC43B	1035	28.8	21.6	14.50	12.85
TCHD30S4(3,4)S3	C*9C*B12	17.5	HD36	985	28.0	20.4	14.60	12.85

COOLING CAPACITY - With High Efficiency Motor Furnaces (Continued)

UNIT MODEL	FURNACE		COIL MODEL ¹	COOLING				
	MODEL	WIDTH		RATED CFM	Net MBH		SEER	EER
					TOTAL	SENS.		
TCHD30S4(3,4)S3	C*9C*C16	21.0	FC/MC/PC35C	1005	28.4	21.4	15.00	13.10
TCHD30S4(3,4)S3	C*9C*C16	21.0	FC/MC/PC43C	1030	28.8	21.6	14.80	13.15
TCHD30S4(3,4)S3	C*9C*C16	21.0	HD36	1005	28.2	20.4	14.85	13.05
TCHD30S4(3,4)S3	C*9C*C20	21.0	FC/MC/PC35C	985	28.4	21.4	15.00	13.10
TCHD30S4(3,4)S3	C*9C*C20	21.0	FC/MC/PC43C	995	29.0	21.8	15.20	13.45
TCHD30S4(3,4)S3	C*9C*C20	21.0	HD36	1045	28.0	20.4	14.65	13.00
TCHD36S4(3,4)S3	TM8E040A12MP11	14.5	CF42B	1175	35.4	27.8	13.75	11.50
TCHD36S4(3,4)S3	TM8E060A12MP11	14.5	CF42B	1200	35.4	28.0	13.75	11.50
TCHD36S4(3,4)S3	TM8E080B12MP11	17.5	CF/CM/CU42C	1250	35.6	28.7	13.75	11.75
TCHD36S4(3,4)S3	TM8E080B12MP11	17.5	CF/CM/CU48C	1050	35.4	26.4	14.00	11.75
TCHD36S4(3,4)S3	TM8E080B12MP11	17.5	CF/CM/CU60C	1050	35.0	25.9	14.50	12.25
TCHD36S4(3,4)S3	TM8E080B12MP11	17.5	CF/CM50C	1225	34.6	28.3	14.00	11.75
TCHD36S4(3,4)S3	TM8E080B12MP11	17.5	CF42B	1200	35.4	28.0	13.75	11.50
TCHD36S4(3,4)S3	TM8E080C16MP11	21.0	CF/CM/CU42C	1100	35.6	27.4	13.75	11.25
TCHD36S4(3,4)S3	TM8E080C16MP11	21.0	CF/CM/CU48C	1100	35.6	27.1	14.00	11.75
TCHD36S4(3,4)S3	TM8E080C16MP11	21.0	CF/CM/CU48D	1100	35.6	27.1	14.00	11.50
TCHD36S4(3,4)S3	TM8E080C16MP11	21.0	CF/CM/CU60C	1100	35.4	26.6	14.50	12.00
TCHD36S4(3,4)S3	TM8E080C16MP11	21.0	CF/CM42D	1125	35.8	27.7	13.75	11.50
TCHD36S4(3,4)S3	TM8E080C16MP11	21.0	CF/CM50C	1075	34.6	26.6	14.25	11.75
TCHD36S4(3,4)S3	TM8E080C16MP11	21.0	CF/CM61D	1275	35.0	29.2	14.50	12.25
TCHD36S4(3,4)S3	TM8E080C16MP11	21.0	CF/CM64D	1100	35.8	27.7	15.00	12.50
TCHD36S4(3,4)S3	TM8E080C20MP11	21.0	CF/CM/CU42C	1250	35.8	29.1	13.75	11.25
TCHD36S4(3,4)S3	TM8E080C20MP11	21.0	CF/CM/CU48C	1250	35.8	29.1	14.00	11.75
TCHD36S4(3,4)S3	TM8E080C20MP11	21.0	CF/CM/CU48D	1275	35.8	29.6	14.00	11.50
TCHD36S4(3,4)S3	TM8E080C20MP11	21.0	CF/CM/CU60C	1250	35.8	28.5	14.50	12.00
TCHD36S4(3,4)S3	TM8E080C20MP11	21.0	CF/CM42D	1275	35.8	29.6	13.75	11.50
TCHD36S4(3,4)S3	TM8E080C20MP11	21.0	CF/CM50C	1225	35.0	28.6	14.25	12.00
TCHD36S4(3,4)S3	TM8E080C20MP11	21.0	CF/CM61D	1250	35.0	28.9	14.75	12.25
TCHD36S4(3,4)S3	TM8E080C20MP11	21.0	CF/CM64D	1250	35.8	29.7	15.00	12.50
TCHD36S4(3,4)S3	TM8E100B12MP11	17.5	CF/CM/CU42C	1100	35.4	27.2	13.75	11.25
TCHD36S4(3,4)S3	TM8E100B12MP11	17.5	CF/CM/CU48C	1100	35.6	27.2	14.00	11.50
TCHD36S4(3,4)S3	TM8E100B12MP11	17.5	CF/CM/CU60C	1100	35.2	26.5	14.50	12.25
TCHD36S4(3,4)S3	TM8E100B12MP11	17.5	CF/CM50C	1075	34.4	26.5	14.25	12.00
TCHD36S4(3,4)S3	TM8E100B12MP11	17.5	CF42B	1050	35.2	26.7	13.75	11.50
TCHD36S4(3,4)S3	TM8E100C16MP11	21.0	CF/CM/CU42C	1125	35.6	27.5	13.75	11.25
TCHD36S4(3,4)S3	TM8E100C16MP11	21.0	CF/CM/CU48C	1125	35.8	27.6	14.00	11.75
TCHD36S4(3,4)S3	TM8E100C16MP11	21.0	CF/CM/CU48D	1125	35.8	27.6	14.00	11.75
TCHD36S4(3,4)S3	TM8E100C16MP11	21.0	CF/CM/CU60C	1125	35.4	27.0	14.50	12.25
TCHD36S4(3,4)S3	TM8E100C16MP11	21.0	CF/CM42D	1125	35.6	27.5	13.75	11.25
TCHD36S4(3,4)S3	TM8E100C16MP11	21.0	CF/CM50C	1100	34.6	27.0	14.25	11.75
TCHD36S4(3,4)S3	TM8E100C16MP11	21.0	CF/CM61D	1100	34.6	27.0	14.75	12.25
TCHD36S4(3,4)S3	TM8E100C16MP11	21.0	CF/CM64D	1125	35.8	28.0	15.00	12.50
TCHD36S4(3,4)S3	TM8E100C20MP11	21.0	CF/CM/CU42C	1250	35.8	29.1	13.75	11.25
TCHD36S4(3,4)S3	TM8E100C20MP11	21.0	CF/CM/CU48C	1250	35.8	29.1	14.00	11.75
TCHD36S4(3,4)S3	TM8E100C20MP11	21.0	CF/CM/CU48D	1275	35.8	29.6	14.00	11.50
TCHD36S4(3,4)S3	TM8E100C20MP11	21.0	CF/CM/CU60C	1250	35.8	28.5	14.50	12.00
TCHD36S4(3,4)S3	TM8E100C20MP11	21.0	CF/CM42D	1275	35.8	29.6	13.75	11.50
TCHD36S4(3,4)S3	TM8E100C20MP11	21.0	CF/CM50C	1225	35.0	28.6	14.25	12.00
TCHD36S4(3,4)S3	TM8E100C20MP11	21.0	CF/CM61D	1225	35.0	28.6	14.75	12.50
TCHD36S4(3,4)S3	TM8E100C20MP11	21.0	CF/CM64D	1250	35.8	29.7	15.00	12.50
TCHD36S4(3,4)S3	TM8E120C16MP11	21.0	CF/CM/CU42C	1125	35.6	27.5	13.75	11.25
TCHD36S4(3,4)S3	TM8E120C16MP11	21.0	CF/CM/CU48C	1125	35.8	27.6	14.00	11.75
TCHD36S4(3,4)S3	TM8E120C16MP11	21.0	CF/CM/CU48D	1125	35.8	27.6	14.00	11.75

COOLING CAPACITY - With High Efficiency Motor Furnaces (Continued)

UNIT MODEL	FURNACE		COIL MODEL ¹	COOLING				
	MODEL	WIDTH		RATED CFM	Net MBH		SEER	EER
					TOTAL	SENS.		
TCHD36S4(3,4)S3	TM8E120C16MP11	21.0	CF/CM/CU60C	1125	35.4	27.0	14.50	12.00
TCHD36S4(3,4)S3	TM8E120C16MP11	21.0	CF/CM42D	1125	35.6	27.5	13.75	11.50
TCHD36S4(3,4)S3	TM8E120C16MP11	21.0	CF/CM50C	1100	34.6	27.0	14.25	11.75
TCHD36S4(3,4)S3	TM8E120C16MP11	21.0	CF/CM61D	1300	35.0	29.5	14.50	12.25
TCHD36S4(3,4)S3	TM8E120C16MP11	21.0	CF/CM64D	1125	35.8	28.0	15.00	12.50
TCHD36S4(3,4)S3	TM8E120C20MP11	21.0	CF/CM/CU42C	1275	35.8	29.6	13.75	11.50
TCHD36S4(3,4)S3	TM8E120C20MP11	21.0	CF/CM/CU48C	1300	35.8	29.8	14.00	11.50
TCHD36S4(3,4)S3	TM8E120C20MP11	21.0	CF/CM/CU48D	1300	35.8	29.8	14.00	11.75
TCHD36S4(3,4)S3	TM8E120C20MP11	21.0	CF/CM/CU60C	1275	35.8	28.9	14.50	12.25
TCHD36S4(3,4)S3	TM8E120C20MP11	21.0	CF/CM/CU60D	1325	35.8	29.5	14.50	12.00
TCHD36S4(3,4)S3	TM8E120C20MP11	21.0	CF/CM42D	1300	35.8	29.9	13.75	11.25
TCHD36S4(3,4)S3	TM8E120C20MP11	21.0	CF/CM50C	1250	35.0	28.9	14.25	11.75
TCHD36S4(3,4)S3	TM8E120C20MP11	21.0	CF/CM61D	1275	35.0	29.1	14.75	12.50
TCHD36S4(3,4)S3	TM8E120C20MP11	21.0	CF/CM64D	1300	35.8	30.5	15.00	12.50
TCHD36S4(3,4)S3	TM8E130D20MP11	24.5	CF/CM/CU48D	1300	35.8	29.8	14.00	11.75
TCHD36S4(3,4)S3	TM8E130D20MP11	24.5	CF/CM42D	1300	35.8	29.9	13.75	11.25
TCHD36S4(3,4)S3	TM8E130D20MP11	24.5	CF/CM61D	1275	35.2	29.3	14.75	12.50
TCHD36S4(3,4)S3	TM8E130D20MP11	24.5	CF/CM64D	1300	35.8	30.5	15.00	12.50
TCHD36S4(3,4)S3	TM8V060A12MP12	14.5	CF42B	1050	35.0	26.5	13.75	11.50
TCHD36S4(3,4)S3	TM8V080B12MP12	17.5	CF/CM/CU42C	1100	35.2	27.1	13.75	11.50
TCHD36S4(3,4)S3	TM8V080B12MP12	17.5	CF/CM/CU48C	1100	35.2	26.8	14.00	12.00
TCHD36S4(3,4)S3	TM8V080B12MP12	17.5	CF/CM/CU60C	1100	35.0	26.4	14.25	12.00
TCHD36S4(3,4)S3	TM8V080B12MP12	17.5	CF42B	1100	35.0	27.0	13.75	11.50
TCHD36S4(3,4)S3	TM8V080C16MP12	21.0	CF/CM/CU42C	1050	35.4	26.8	13.75	11.50
TCHD36S4(3,4)S3	TM8V080C16MP12	21.0	CF/CM/CU48C	1050	35.6	26.6	14.00	11.75
TCHD36S4(3,4)S3	TM8V080C16MP12	21.0	CF/CM/CU48D	1050	35.6	26.6	14.00	11.75
TCHD36S4(3,4)S3	TM8V080C16MP12	21.0	CF/CM/CU60C	1050	35.2	26.0	14.50	12.25
TCHD36S4(3,4)S3	TM8V080C16MP12	21.0	CF/CM42D	1050	35.4	26.8	13.75	11.25
TCHD36S4(3,4)S3	TM8V080C16MP12	21.0	CF/CM50C	1150	34.8	27.6	14.25	12.00
TCHD36S4(3,4)S3	TM8V080C16MP12	21.0	CF/CM61D	1200	34.8	28.2	14.50	12.25
TCHD36S4(3,4)S3	TM8V080C16MP12	21.0	CF/CM64D	1150	35.8	28.4	15.00	12.75
TCHD36S4(3,4)S3	TM8V100C16MP12	21.0	CF/CM/CU42C	1050	35.4	26.8	13.75	11.50
TCHD36S4(3,4)S3	TM8V100C16MP12	21.0	CF/CM/CU48C	1050	35.6	26.6	14.00	11.75
TCHD36S4(3,4)S3	TM8V100C16MP12	21.0	CF/CM/CU48D	1050	35.6	26.6	14.00	11.75
TCHD36S4(3,4)S3	TM8V100C16MP12	21.0	CF/CM/CU60C	1050	35.2	26.0	14.50	12.25
TCHD36S4(3,4)S3	TM8V100C16MP12	21.0	CF/CM42D	1050	35.4	26.8	13.75	11.25
TCHD36S4(3,4)S3	TM8V100C16MP12	21.0	CF/CM50C	1150	34.8	27.6	14.25	12.00
TCHD36S4(3,4)S3	TM8V100C16MP12	21.0	CF/CM61D	1200	34.8	28.2	14.50	12.25
TCHD36S4(3,4)S3	TM8V100C16MP12	21.0	CF/CM64D	1150	35.8	28.4	15.00	12.75
TCHD36S4(3,4)S3	TM8V100C20MP12	21.0	CF/CM/CU42C	1225	35.8	28.7	13.75	11.25
TCHD36S4(3,4)S3	TM8V100C20MP12	21.0	CF/CM/CU48C	1225	35.8	28.9	14.00	11.75
TCHD36S4(3,4)S3	TM8V100C20MP12	21.0	CF/CM/CU48D	1225	35.8	28.9	14.00	11.50
TCHD36S4(3,4)S3	TM8V100C20MP12	21.0	CF/CM/CU60C	1325	35.8	29.4	14.50	12.25
TCHD36S4(3,4)S3	TM8V100C20MP12	21.0	CF/CM42D	1225	35.8	28.7	13.75	11.50
TCHD36S4(3,4)S3	TM8V100C20MP12	21.0	CF/CM50C	1225	35.0	28.6	14.25	11.75
TCHD36S4(3,4)S3	TM8V100C20MP12	21.0	CF/CM61D	1225	35.0	28.6	14.75	12.50
TCHD36S4(3,4)S3	TM8V100C20MP12	21.0	CF/CM64D	1375	35.8	31.3	15.00	12.75
TCHD36S4(3,4)S3	TM8V120C20MP12	21.0	CF/CM/CU42C	1225	35.8	28.7	13.75	11.25
TCHD36S4(3,4)S3	TM8V120C20MP12	21.0	CF/CM/CU48C	1225	35.8	28.9	14.00	11.75
TCHD36S4(3,4)S3	TM8V120C20MP12	21.0	CF/CM/CU48D	1225	35.8	28.9	14.00	11.50
TCHD36S4(3,4)S3	TM8V120C20MP12	21.0	CF/CM/CU60C	1325	35.8	29.4	14.50	12.25
TCHD36S4(3,4)S3	TM8V120C20MP12	21.0	CF/CM42D	1225	35.8	28.7	13.75	11.50
TCHD36S4(3,4)S3	TM8V120C20MP12	21.0	CF/CM50C	1225	35.0	28.6	14.25	11.75

COOLING CAPACITY - With High Efficiency Motor Furnaces (Continued)

UNIT MODEL	FURNACE		COIL MODEL ¹	COOLING				
	MODEL	WIDTH		RATED CFM	Net MBH		SEER	EER
					TOTAL	SENS.		
TCHD36S4(3,4)S3	TM8V120C20MP12	21.0	CF/CM61D	1225	35.0	28.6	14.75	12.50
TCHD36S4(3,4)S3	TM8V120C20MP12	21.0	CF/CM64D	1375	35.8	31.3	15.00	12.75
TCHD36S4(3,4)S3	TM8X060A12MP11	14.5	CF42B	1125	35.2	27.2	13.75	11.75
TCHD36S4(3,4)S3	TM8X080B12MP11	17.5	CF/CM/CU42C	1200	35.6	28.2	13.75	11.50
TCHD36S4(3,4)S3	TM8X080B12MP11	17.5	CF/CM/CU48C	1200	35.8	28.3	14.00	11.50
TCHD36S4(3,4)S3	TM8X080B12MP11	17.5	CF/CM/CU60C	1200	35.4	27.7	14.50	12.25
TCHD36S4(3,4)S3	TM8X080B12MP11	17.5	CF/CM50C	1175	34.6	27.7	14.25	12.00
TCHD36S4(3,4)S3	TM8X080B12MP11	17.5	CF42B	1150	35.4	27.7	13.75	11.75
TCHD36S4(3,4)S3	TM8X080C16MP11	21.0	CF/CM/CU42C	1150	35.6	27.9	13.75	11.50
TCHD36S4(3,4)S3	TM8X080C16MP11	21.0	CF/CM/CU48C	1150	35.8	27.8	14.00	11.50
TCHD36S4(3,4)S3	TM8X080C16MP11	21.0	CF/CM/CU48D	1150	35.8	27.8	14.00	11.50
TCHD36S4(3,4)S3	TM8X080C16MP11	21.0	CF/CM/CU60C	1150	35.4	27.2	14.50	12.25
TCHD36S4(3,4)S3	TM8X080C16MP11	21.0	CF/CM42D	1175	35.8	28.1	13.75	11.25
TCHD36S4(3,4)S3	TM8X080C16MP11	21.0	CF/CM50C	1125	34.8	27.4	14.25	12.00
TCHD36S4(3,4)S3	TM8X080C16MP11	21.0	CF/CM61D	1125	34.8	27.4	14.75	12.50
TCHD36S4(3,4)S3	TM8X080C16MP11	21.0	CF/CM64D	1375	35.8	31.2	15.00	12.50
TCHD36S4(3,4)S3	TM8X100C16MP11	21.0	CF/CM/CU42C	1150	35.6	27.9	13.75	11.50
TCHD36S4(3,4)S3	TM8X100C16MP11	21.0	CF/CM/CU48C	1150	35.8	27.8	14.00	11.50
TCHD36S4(3,4)S3	TM8X100C16MP11	21.0	CF/CM/CU48D	1150	35.8	27.8	14.00	11.50
TCHD36S4(3,4)S3	TM8X100C16MP11	21.0	CF/CM/CU60C	1150	35.4	27.2	14.50	12.25
TCHD36S4(3,4)S3	TM8X100C16MP11	21.0	CF/CM42D	1175	35.8	28.1	13.75	11.25
TCHD36S4(3,4)S3	TM8X100C16MP11	21.0	CF/CM50C	1125	34.8	27.4	14.25	12.00
TCHD36S4(3,4)S3	TM8X100C16MP11	21.0	CF/CM61D	1125	34.8	27.4	14.75	12.50
TCHD36S4(3,4)S3	TM8X100C16MP11	21.0	CF/CM64D	1375	35.8	31.2	15.00	12.50
TCHD36S4(3,4)S3	TM8X100C20MP11	21.0	CF/CM/CU42C	1225	35.8	28.7	13.75	11.50
TCHD36S4(3,4)S3	TM8X100C20MP11	21.0	CF/CM/CU48C	1225	35.8	28.9	14.00	11.50
TCHD36S4(3,4)S3	TM8X100C20MP11	21.0	CF/CM/CU48D	1250	35.8	29.1	14.00	11.50
TCHD36S4(3,4)S3	TM8X100C20MP11	21.0	CF/CM/CU60C	1225	35.8	28.2	14.50	12.00
TCHD36S4(3,4)S3	TM8X100C20MP11	21.0	CF/CM42D	1250	35.8	29.3	13.75	11.25
TCHD36S4(3,4)S3	TM8X100C20MP11	21.0	CF/CM50C	1200	35.0	28.3	14.25	11.75
TCHD36S4(3,4)S3	TM8X100C20MP11	21.0	CF/CM61D	1200	35.0	28.3	14.75	12.25
TCHD36S4(3,4)S3	TM8X100C20MP11	21.0	CF/CM64D	1400	35.8	31.6	15.00	12.75
TCHD36S4(3,4)S3	TM8X120C20MP11	21.0	CF/CM/CU42C	1225	35.8	28.7	13.75	11.50
TCHD36S4(3,4)S3	TM8X120C20MP11	21.0	CF/CM/CU48C	1225	35.8	28.9	14.00	11.50
TCHD36S4(3,4)S3	TM8X120C20MP11	21.0	CF/CM/CU48D	1250	35.8	29.1	14.00	11.50
TCHD36S4(3,4)S3	TM8X120C20MP11	21.0	CF/CM/CU60C	1225	35.8	28.2	14.50	12.00
TCHD36S4(3,4)S3	TM8X120C20MP11	21.0	CF/CM42D	1250	35.8	29.3	13.75	11.25
TCHD36S4(3,4)S3	TM8X120C20MP11	21.0	CF/CM50C	1200	35.0	28.3	14.25	11.75
TCHD36S4(3,4)S3	TM8X120C20MP11	21.0	CF/CM61D	1200	35.0	28.3	14.75	12.25
TCHD36S4(3,4)S3	TM8X120C20MP11	21.0	CF/CM64D	1400	35.8	31.6	15.00	12.75
TCHD36S4(3,4)S3	TM8Y060A12MP11	14.5	CF42B	1125	35.2	27.2	13.75	11.75
TCHD36S4(3,4)S3	TM8Y080B12MP11	17.5	CF/CM/CU42C	1200	35.6	28.2	13.75	11.50
TCHD36S4(3,4)S3	TM8Y080B12MP11	17.5	CF/CM/CU48C	1200	35.8	28.3	14.00	11.50
TCHD36S4(3,4)S3	TM8Y080B12MP11	17.5	CF/CM/CU60C	1200	35.4	27.7	14.50	12.25
TCHD36S4(3,4)S3	TM8Y080B12MP11	17.5	CF/CM50C	1175	34.6	27.7	14.25	12.00
TCHD36S4(3,4)S3	TM8Y080B12MP11	17.5	CF42B	1150	35.4	27.7	13.75	11.75
TCHD36S4(3,4)S3	TM8Y080C16MP11	21.0	CF/CM/CU42C	1150	35.6	27.9	13.75	11.50
TCHD36S4(3,4)S3	TM8Y080C16MP11	21.0	CF/CM/CU48C	1150	35.8	27.8	14.00	11.50
TCHD36S4(3,4)S3	TM8Y080C16MP11	21.0	CF/CM/CU48D	1150	35.8	27.8	14.00	11.50
TCHD36S4(3,4)S3	TM8Y080C16MP11	21.0	CF/CM/CU60C	1150	35.4	27.2	14.50	12.25
TCHD36S4(3,4)S3	TM8Y080C16MP11	21.0	CF/CM42D	1175	35.8	28.1	13.75	11.25
TCHD36S4(3,4)S3	TM8Y080C16MP11	21.0	CF/CM50C	1125	34.8	27.4	14.25	12.00
TCHD36S4(3,4)S3	TM8Y080C16MP11	21.0	CF/CM61D	1125	34.8	27.4	14.75	12.50

COOLING CAPACITY - With High Efficiency Motor Furnaces (Continued)

UNIT MODEL	FURNACE		COIL MODEL ¹	COOLING				
	MODEL	WIDTH		RATED CFM	Net MBH		SEER	EER
					TOTAL	SENS.		
TCHD36S4(3,4)S3	TM8Y080C16MP11	21.0	CF/CM64D	1375	35.8	31.2	15.00	12.50
TCHD36S4(3,4)S3	TM8Y100C16MP11	21.0	CF/CM/CU42C	1150	35.6	27.9	13.75	11.50
TCHD36S4(3,4)S3	TM8Y100C16MP11	21.0	CF/CM/CU48C	1150	35.8	27.8	14.00	11.50
TCHD36S4(3,4)S3	TM8Y100C16MP11	21.0	CF/CM/CU48D	1150	35.8	27.8	14.00	11.50
TCHD36S4(3,4)S3	TM8Y100C16MP11	21.0	CF/CM/CU60C	1150	35.4	27.2	14.50	12.25
TCHD36S4(3,4)S3	TM8Y100C16MP11	21.0	CF/CM42D	1175	35.8	28.1	13.75	11.25
TCHD36S4(3,4)S3	TM8Y100C16MP11	21.0	CF/CM50C	1125	34.8	27.4	14.25	12.00
TCHD36S4(3,4)S3	TM8Y100C16MP11	21.0	CF/CM61D	1125	34.8	27.4	14.75	12.50
TCHD36S4(3,4)S3	TM8Y100C16MP11	21.0	CF/CM64D	1375	35.8	31.2	15.00	12.50
TCHD36S4(3,4)S3	TM8Y100C20MP11	21.0	CF/CM/CU42C	1225	35.8	28.7	13.75	11.50
TCHD36S4(3,4)S3	TM8Y100C20MP11	21.0	CF/CM/CU48C	1225	35.8	28.9	14.00	11.50
TCHD36S4(3,4)S3	TM8Y100C20MP11	21.0	CF/CM/CU48D	1250	35.8	29.1	14.00	11.50
TCHD36S4(3,4)S3	TM8Y100C20MP11	21.0	CF/CM/CU60C	1225	35.8	28.2	14.50	12.00
TCHD36S4(3,4)S3	TM8Y100C20MP11	21.0	CF/CM42D	1250	35.8	29.3	13.75	11.25
TCHD36S4(3,4)S3	TM8Y100C20MP11	21.0	CF/CM50C	1200	35.0	28.3	14.25	11.75
TCHD36S4(3,4)S3	TM8Y100C20MP11	21.0	CF/CM61D	1200	35.0	28.3	14.75	12.25
TCHD36S4(3,4)S3	TM8Y100C20MP11	21.0	CF/CM64D	1400	35.8	31.6	15.00	12.75
TCHD36S4(3,4)S3	TM8Y120C20MP11	21.0	CF/CM/CU42C	1225	35.8	28.7	13.75	11.50
TCHD36S4(3,4)S3	TM8Y120C20MP11	21.0	CF/CM/CU48C	1225	35.8	28.9	14.00	11.50
TCHD36S4(3,4)S3	TM8Y120C20MP11	21.0	CF/CM/CU48D	1250	35.8	29.1	14.00	11.50
TCHD36S4(3,4)S3	TM8Y120C20MP11	21.0	CF/CM/CU60C	1225	35.8	28.2	14.50	12.00
TCHD36S4(3,4)S3	TM8Y120C20MP11	21.0	CF/CM42D	1250	35.8	29.3	13.75	11.25
TCHD36S4(3,4)S3	TM8Y120C20MP11	21.0	CF/CM50C	1200	35.0	28.3	14.25	11.75
TCHD36S4(3,4)S3	TM8Y120C20MP11	21.0	CF/CM61D	1200	35.0	28.3	14.75	12.25
TCHD36S4(3,4)S3	TM8Y120C20MP11	21.0	CF/CM64D	1400	35.8	31.6	15.00	12.75
TCHD36S4(3,4)S3	TM9E060A10MP12C	14.5	CF42B	1125	35.0	27.0	13.75	11.75
TCHD36S4(3,4)S3	TM9E060B12MP11	17.5	CF/CM/CU42C	1125	35.2	27.2	13.75	11.50
TCHD36S4(3,4)S3	TM9E060B12MP11	17.5	CF/CM/CU48C	1150	35.4	27.5	14.00	12.00
TCHD36S4(3,4)S3	TM9E060B12MP11	17.5	CF/CM/CU60C	1125	34.8	26.5	14.00	12.00
TCHD36S4(3,4)S3	TM9E060B12MP11	17.5	CF/CM50C	1125	34.4	27.1	14.00	11.75
TCHD36S4(3,4)S3	TM9E060B12MP11	17.5	CF42B	1100	35.0	26.9	13.75	11.50
TCHD36S4(3,4)S3	TM9E060B12MP12C	17.5	CF/CM/CU42C	1100	35.2	27.1	13.75	11.50
TCHD36S4(3,4)S3	TM9E060B12MP12C	17.5	CF/CM/CU48C	1100	35.2	26.8	14.00	11.75
TCHD36S4(3,4)S3	TM9E060B12MP12C	17.5	CF/CM/CU60C	1100	35.0	26.3	14.25	12.25
TCHD36S4(3,4)S3	TM9E060B12MP12C	17.5	CF/CM50C	1075	34.2	26.3	14.00	11.75
TCHD36S4(3,4)S3	TM9E060B12MP12C	17.5	CF42B	1050	35.0	26.5	13.75	11.50
TCHD36S4(3,4)S3	TM9E080B12MP11	17.5	CF/CM/CU42C	1175	35.4	27.8	13.75	11.50
TCHD36S4(3,4)S3	TM9E080B12MP11	17.5	CF/CM/CU48C	1200	35.8	28.3	14.00	11.50
TCHD36S4(3,4)S3	TM9E080B12MP11	17.5	CF/CM/CU60C	1175	35.2	27.3	14.50	12.25
TCHD36S4(3,4)S3	TM9E080B12MP11	17.5	CF/CM50C	1175	34.6	27.7	14.00	12.00
TCHD36S4(3,4)S3	TM9E080B12MP11	17.5	CF42B	1150	35.2	27.5	13.75	11.75
TCHD36S4(3,4)S3	TM9E080B12MP12C	17.5	CF/CM/CU42C	1075	35.2	26.9	13.75	11.50
TCHD36S4(3,4)S3	TM9E080B12MP12C	17.5	CF/CM/CU48C	1075	35.4	26.7	14.00	11.50
TCHD36S4(3,4)S3	TM9E080B12MP12C	17.5	CF/CM/CU60C	1250	35.4	28.2	14.25	12.00
TCHD36S4(3,4)S3	TM9E080B12MP12C	17.5	CF/CM50C	1225	34.6	28.3	13.75	11.75
TCHD36S4(3,4)S3	TM9E080B12MP12C	17.5	CF42B	1200	35.4	28.0	13.75	11.75
TCHD36S4(3,4)S3	TM9E080C16MP11	21.0	CF/CM/CU42C	1250	35.8	28.9	13.75	11.50
TCHD36S4(3,4)S3	TM9E080C16MP11	21.0	CF/CM/CU48C	1150	35.8	27.8	14.00	11.75
TCHD36S4(3,4)S3	TM9E080C16MP11	21.0	CF/CM/CU48D	1150	35.8	27.8	14.00	11.75
TCHD36S4(3,4)S3	TM9E080C16MP11	21.0	CF/CM/CU60C	1250	35.6	28.3	14.50	12.25
TCHD36S4(3,4)S3	TM9E080C16MP11	21.0	CF/CM42D	1150	35.6	27.9	13.75	11.25
TCHD36S4(3,4)S3	TM9E080C16MP11	21.0	CF/CM50C	1250	34.6	28.5	14.25	12.00
TCHD36S4(3,4)S3	TM9E080C16MP11	21.0	CF/CM61D	1250	34.6	28.5	14.25	12.00

COOLING CAPACITY - With High Efficiency Motor Furnaces (Continued)

UNIT MODEL	FURNACE		COIL MODEL ¹	COOLING				
	MODEL	WIDTH		RATED CFM	Net MBH		SEER	EER
					TOTAL	SENS.		
TCHD36S4(3,4)S3	TM9E080C16MP11	21.0	CF/CM64D	1275	35.8	29.7	15.00	12.75
TCHD36S4(3,4)S3	TM9E080C16MP12C	21.0	CF/CM/CU42C	1275	35.8	29.2	13.75	11.50
TCHD36S4(3,4)S3	TM9E080C16MP12C	21.0	CF/CM/CU48C	1100	35.6	27.2	14.00	11.50
TCHD36S4(3,4)S3	TM9E080C16MP12C	21.0	CF/CM/CU48D	1100	35.6	27.2	14.00	11.50
TCHD36S4(3,4)S3	TM9E080C16MP12C	21.0	CF/CM/CU60C	1275	35.8	28.7	14.50	12.25
TCHD36S4(3,4)S3	TM9E080C16MP12C	21.0	CF/CM42D	1275	35.8	29.4	13.75	11.50
TCHD36S4(3,4)S3	TM9E080C16MP12C	21.0	CF/CM50C	1250	34.8	28.7	14.25	12.00
TCHD36S4(3,4)S3	TM9E080C16MP12C	21.0	CF/CM61D	1250	34.8	28.7	14.25	12.00
TCHD36S4(3,4)S3	TM9E080C16MP12C	21.0	CF/CM64D	1275	35.8	29.9	15.00	12.75
TCHD36S4(3,4)S3	TM9E080C20MP12C	21.0	CF/CM/CU42C	1225	35.8	28.7	13.75	11.25
TCHD36S4(3,4)S3	TM9E080C20MP12C	21.0	CF/CM/CU48C	1225	35.8	28.9	14.00	11.75
TCHD36S4(3,4)S3	TM9E080C20MP12C	21.0	CF/CM/CU48D	1250	35.8	29.1	14.00	11.50
TCHD36S4(3,4)S3	TM9E080C20MP12C	21.0	CF/CM/CU60C	1225	35.8	28.2	14.50	12.00
TCHD36S4(3,4)S3	TM9E080C20MP12C	21.0	CF/CM42D	1250	35.8	29.3	13.75	11.50
TCHD36S4(3,4)S3	TM9E080C20MP12C	21.0	CF/CM50C	1200	35.0	28.3	14.25	12.00
TCHD36S4(3,4)S3	TM9E080C20MP12C	21.0	CF/CM61D	1225	35.0	28.6	14.75	12.50
TCHD36S4(3,4)S3	TM9E080C20MP12C	21.0	CF/CM64D	1250	35.8	29.7	15.00	12.75
TCHD36S4(3,4)S3	TM9E100C16MP11	21.0	CF/CM/CU42C	1275	35.8	29.4	13.75	11.50
TCHD36S4(3,4)S3	TM9E100C16MP11	21.0	CF/CM/CU48C	1275	35.8	29.2	14.00	11.75
TCHD36S4(3,4)S3	TM9E100C16MP11	21.0	CF/CM/CU48D	1300	35.8	29.6	14.00	11.50
TCHD36S4(3,4)S3	TM9E100C16MP11	21.0	CF/CM/CU60C	1275	35.8	28.7	14.50	12.25
TCHD36S4(3,4)S3	TM9E100C16MP11	21.0	CF/CM42D	1175	35.8	28.1	13.75	11.50
TCHD36S4(3,4)S3	TM9E100C16MP11	21.0	CF/CM50C	1250	34.8	28.7	14.25	12.00
TCHD36S4(3,4)S3	TM9E100C16MP11	21.0	CF/CM61D	1250	34.8	28.7	14.25	12.00
TCHD36S4(3,4)S3	TM9E100C16MP11	21.0	CF/CM64D	1275	35.8	29.9	15.00	12.75
TCHD36S4(3,4)S3	TM9E100C16MP12C	21.0	CF/CM/CU42C	1075	35.4	27.0	13.75	11.50
TCHD36S4(3,4)S3	TM9E100C16MP12C	21.0	CF/CM/CU48C	1275	35.8	29.2	14.00	11.75
TCHD36S4(3,4)S3	TM9E100C16MP12C	21.0	CF/CM/CU48D	1300	35.8	29.6	14.00	11.50
TCHD36S4(3,4)S3	TM9E100C16MP12C	21.0	CF/CM/CU60C	1275	35.8	28.7	14.50	12.25
TCHD36S4(3,4)S3	TM9E100C16MP12C	21.0	CF/CM42D	1075	35.4	27.0	13.75	11.25
TCHD36S4(3,4)S3	TM9E100C16MP12C	21.0	CF/CM50C	1250	34.8	28.7	14.25	12.00
TCHD36S4(3,4)S3	TM9E100C16MP12C	21.0	CF/CM61D	1275	35.0	29.2	14.25	12.00
TCHD36S4(3,4)S3	TM9E100C16MP12C	21.0	CF/CM64D	1275	35.8	29.9	15.00	12.75
TCHD36S4(3,4)S3	TM9E100C20MP11	21.0	CF/CM/CU42C	1175	35.8	28.1	13.75	11.50
TCHD36S4(3,4)S3	TM9E100C20MP11	21.0	CF/CM/CU48C	1175	35.8	28.0	14.00	11.75
TCHD36S4(3,4)S3	TM9E100C20MP11	21.0	CF/CM/CU48D	1200	35.8	28.4	14.00	11.50
TCHD36S4(3,4)S3	TM9E100C20MP11	21.0	CF/CM/CU60C	1350	35.8	29.6	14.50	12.25
TCHD36S4(3,4)S3	TM9E100C20MP11	21.0	CF/CM42D	1200	35.8	28.3	13.75	11.50
TCHD36S4(3,4)S3	TM9E100C20MP11	21.0	CF/CM50C	1150	34.8	27.6	14.25	12.00
TCHD36S4(3,4)S3	TM9E100C20MP11	21.0	CF/CM61D	1175	34.8	27.9	14.75	12.25
TCHD36S4(3,4)S3	TM9E100C20MP11	21.0	CF/CM64D	1375	35.8	31.2	15.00	12.75
TCHD36S4(3,4)S3	TM9E100C20MP12C	21.0	CF/CM/CU42C	1225	35.8	28.7	13.75	11.50
TCHD36S4(3,4)S3	TM9E100C20MP12C	21.0	CF/CM/CU48C	1225	35.8	28.9	14.00	11.50
TCHD36S4(3,4)S3	TM9E100C20MP12C	21.0	CF/CM/CU48D	1225	35.8	28.9	14.00	11.50
TCHD36S4(3,4)S3	TM9E100C20MP12C	21.0	CF/CM/CU60C	1225	35.8	28.2	14.50	12.00
TCHD36S4(3,4)S3	TM9E100C20MP12C	21.0	CF/CM42D	1225	35.8	28.7	13.75	11.50
TCHD36S4(3,4)S3	TM9E100C20MP12C	21.0	CF/CM50C	1175	34.8	27.9	14.25	12.00
TCHD36S4(3,4)S3	TM9E100C20MP12C	21.0	CF/CM61D	1200	35.0	28.3	14.75	12.25
TCHD36S4(3,4)S3	TM9E100C20MP12C	21.0	CF/CM64D	1225	35.8	29.4	15.00	12.50
TCHD36S4(3,4)S3	TM9E120D20MP11	24.5	CF/CM/CU48D	1250	35.8	29.1	14.00	11.75
TCHD36S4(3,4)S3	TM9E120D20MP11	24.5	CF/CM42D	1250	35.8	29.1	13.75	11.25
TCHD36S4(3,4)S3	TM9E120D20MP11	24.5	CF/CM61D	1225	35.0	28.6	14.75	12.50
TCHD36S4(3,4)S3	TM9E120D20MP11	24.5	CF/CM64D	1400	35.8	31.6	15.00	12.75

COOLING CAPACITY - With High Efficiency Motor Furnaces (Continued)

UNIT MODEL	FURNACE		COIL MODEL ¹	COOLING				
	MODEL	WIDTH		RATED CFM	Net MBH		SEER	EER
					TOTAL	SENS.		
TCHD36S4(3,4)S3	TM9E120D20MP12C	24.5	CF/CM/CU48D	1250	35.8	29.1	14.00	11.50
TCHD36S4(3,4)S3	TM9E120D20MP12C	24.5	CF/CM42D	1250	35.8	29.1	13.75	11.25
TCHD36S4(3,4)S3	TM9E120D20MP12C	24.5	CF/CM61D	1225	35.0	28.6	14.75	12.50
TCHD36S4(3,4)S3	TM9E120D20MP12C	24.5	CF/CM64D	1250	35.8	29.7	15.00	12.50
TCHD36S4(3,4)S3	TM9V060B12MP12C	17.5	CF/CM/CU42C	1100	35.2	27.1	13.75	11.50
TCHD36S4(3,4)S3	TM9V060B12MP12C	17.5	CF/CM/CU48C	1100	35.2	26.8	14.00	11.75
TCHD36S4(3,4)S3	TM9V060B12MP12C	17.5	CF/CM/CU60C	1100	35.0	26.3	14.25	12.00
TCHD36S4(3,4)S3	TM9V060B12MP12C	17.5	CF/CM50C	1100	34.2	26.6	14.00	11.75
TCHD36S4(3,4)S3	TM9V060B12MP12C	17.5	CF42B	1100	35.0	26.9	13.75	11.75
TCHD36S4(3,4)S3	TM9V080B12MP12C	17.5	CF/CM/CU42C	1150	35.4	27.7	13.75	11.50
TCHD36S4(3,4)S3	TM9V080B12MP12C	17.5	CF/CM/CU48C	1250	35.8	28.8	14.00	11.75
TCHD36S4(3,4)S3	TM9V080B12MP12C	17.5	CF/CM/CU60C	1250	35.4	28.2	14.25	12.00
TCHD36S4(3,4)S3	TM9V080B12MP12C	17.5	CF/CM50C	1175	34.6	27.7	14.00	11.75
TCHD36S4(3,4)S3	TM9V080B12MP12C	17.5	CF42B	1175	35.4	27.8	13.75	11.50
TCHD36S4(3,4)S3	TM9V080C16MP12C	21.0	CF/CM/CU42C	1125	35.6	27.5	13.75	11.50
TCHD36S4(3,4)S3	TM9V080C16MP12C	21.0	CF/CM/CU48C	1300	35.8	29.5	14.00	11.75
TCHD36S4(3,4)S3	TM9V080C16MP12C	21.0	CF/CM/CU48D	1300	35.8	29.5	14.00	11.75
TCHD36S4(3,4)S3	TM9V080C16MP12C	21.0	CF/CM/CU60C	1300	35.8	28.7	14.50	12.25
TCHD36S4(3,4)S3	TM9V080C16MP12C	21.0	CF/CM42D	1225	35.8	28.6	13.75	11.50
TCHD36S4(3,4)S3	TM9V080C16MP12C	21.0	CF/CM50C	1225	34.6	28.3	14.00	12.00
TCHD36S4(3,4)S3	TM9V080C16MP12C	21.0	CF/CM61D	1300	34.8	29.3	14.00	11.75
TCHD36S4(3,4)S3	TM9V080C16MP12C	21.0	CF/CM64D	1375	35.8	31.0	14.50	12.25
TCHD36S4(3,4)S3	TM9V100C16MP12C	21.0	CF/CM/CU42C	1225	35.8	28.7	13.75	11.50
TCHD36S4(3,4)S3	TM9V100C16MP12C	21.0	CF/CM/CU48C	1275	35.8	29.4	14.00	11.75
TCHD36S4(3,4)S3	TM9V100C16MP12C	21.0	CF/CM/CU48D	1300	35.8	29.6	14.00	11.75
TCHD36S4(3,4)S3	TM9V100C16MP12C	21.0	CF/CM/CU60C	1325	35.8	29.4	14.50	12.25
TCHD36S4(3,4)S3	TM9V100C16MP12C	21.0	CF/CM42D	1250	35.8	29.1	13.75	11.50
TCHD36S4(3,4)S3	TM9V100C16MP12C	21.0	CF/CM50C	1275	35.0	29.2	14.25	12.00
TCHD36S4(3,4)S3	TM9V100C16MP12C	21.0	CF/CM61D	1275	35.0	29.2	14.50	12.25
TCHD36S4(3,4)S3	TM9V100C16MP12C	21.0	CF/CM64D	1300	35.8	30.3	15.00	12.50
TCHD36S4(3,4)S3	TM9V100C20MP12C	21.0	CF/CM/CU42C	1225	35.8	28.7	13.75	11.50
TCHD36S4(3,4)S3	TM9V100C20MP12C	21.0	CF/CM/CU48C	1275	35.8	29.4	14.00	11.50
TCHD36S4(3,4)S3	TM9V100C20MP12C	21.0	CF/CM/CU48D	1275	35.8	29.4	14.00	11.75
TCHD36S4(3,4)S3	TM9V100C20MP12C	21.0	CF/CM/CU60C	1350	35.8	29.6	14.50	12.25
TCHD36S4(3,4)S3	TM9V100C20MP12C	21.0	CF/CM42D	1225	35.8	28.7	13.75	11.50
TCHD36S4(3,4)S3	TM9V100C20MP12C	21.0	CF/CM50C	1275	34.8	29.0	14.25	12.00
TCHD36S4(3,4)S3	TM9V100C20MP12C	21.0	CF/CM61D	1275	35.0	29.2	14.25	12.00
TCHD36S4(3,4)S3	TM9V100C20MP12C	21.0	CF/CM64D	1350	35.8	30.8	15.00	12.75
TCHD36S4(3,4)S3	TM9V120D20MP12C	24.5	CF/CM/CU48D	1300	35.8	29.8	14.00	11.75
TCHD36S4(3,4)S3	TM9V120D20MP12C	24.5	CF/CM42D	1250	35.8	29.3	13.75	11.50
TCHD36S4(3,4)S3	TM9V120D20MP12C	24.5	CF/CM61D	1300	35.0	29.5	14.50	12.25
TCHD36S4(3,4)S3	TM9V120D20MP12C	24.5	CF/CM64D	1400	35.8	31.6	15.00	12.75
TCHD36S4(3,4)S3	TM9Y060B12MP11	17.5	CF/CM/CU42C	1125	35.2	27.2	13.75	11.50
TCHD36S4(3,4)S3	TM9Y060B12MP11	17.5	CF/CM/CU48C	1150	35.4	27.5	14.00	12.00
TCHD36S4(3,4)S3	TM9Y060B12MP11	17.5	CF/CM/CU60C	1125	34.8	26.5	14.00	12.00
TCHD36S4(3,4)S3	TM9Y060B12MP11	17.5	CF/CM50C	1125	34.4	27.1	14.00	11.75
TCHD36S4(3,4)S3	TM9Y060B12MP11	17.5	CF42B	1100	35.0	26.9	13.75	11.50
TCHD36S4(3,4)S3	TM9Y080B12MP11	17.5	CF/CM/CU42C	1175	35.4	27.8	13.75	11.50
TCHD36S4(3,4)S3	TM9Y080B12MP11	17.5	CF/CM/CU48C	1200	35.8	28.3	14.00	11.50
TCHD36S4(3,4)S3	TM9Y080B12MP11	17.5	CF/CM/CU60C	1175	35.2	27.3	14.50	12.25
TCHD36S4(3,4)S3	TM9Y080B12MP11	17.5	CF/CM50C	1175	34.6	27.7	14.00	12.00
TCHD36S4(3,4)S3	TM9Y080B12MP11	17.5	CF42B	1150	35.2	27.5	13.75	11.75
TCHD36S4(3,4)S3	TM9Y080C16MP11	21.0	CF/CM/CU42C	1250	35.8	28.9	13.75	11.50

COOLING CAPACITY - With High Efficiency Motor Furnaces (Continued)

UNIT MODEL	FURNACE		COIL MODEL ¹	COOLING				
	MODEL	WIDTH		RATED CFM	Net MBH		SEER	EER
					TOTAL	SENS.		
TCHD36S4(3,4)S3	TM9Y080C16MP11	21.0	CF/CM/CU48C	1150	35.8	27.8	14.00	11.75
TCHD36S4(3,4)S3	TM9Y080C16MP11	21.0	CF/CM/CU48D	1150	35.8	27.8	14.00	11.75
TCHD36S4(3,4)S3	TM9Y080C16MP11	21.0	CF/CM/CU60C	1250	35.6	28.3	14.50	12.25
TCHD36S4(3,4)S3	TM9Y080C16MP11	21.0	CF/CM42D	1150	35.6	27.9	13.75	11.25
TCHD36S4(3,4)S3	TM9Y080C16MP11	21.0	CF/CM50C	1250	34.6	28.5	14.25	12.00
TCHD36S4(3,4)S3	TM9Y080C16MP11	21.0	CF/CM61D	1250	34.6	28.5	14.25	12.00
TCHD36S4(3,4)S3	TM9Y080C16MP11	21.0	CF/CM64D	1275	35.8	29.7	15.00	12.75
TCHD36S4(3,4)S3	TM9Y100C16MP11	21.0	CF/CM/CU42C	1275	35.8	29.4	13.75	11.50
TCHD36S4(3,4)S3	TM9Y100C16MP11	21.0	CF/CM/CU48C	1275	35.8	29.2	14.00	11.75
TCHD36S4(3,4)S3	TM9Y100C16MP11	21.0	CF/CM/CU48D	1300	35.8	29.6	14.00	11.50
TCHD36S4(3,4)S3	TM9Y100C16MP11	21.0	CF/CM/CU60C	1275	35.8	28.7	14.50	12.25
TCHD36S4(3,4)S3	TM9Y100C16MP11	21.0	CF/CM42D	1175	35.8	28.1	13.75	11.50
TCHD36S4(3,4)S3	TM9Y100C16MP11	21.0	CF/CM50C	1250	34.8	28.7	14.25	12.00
TCHD36S4(3,4)S3	TM9Y100C16MP11	21.0	CF/CM61D	1250	34.8	28.7	14.25	12.00
TCHD36S4(3,4)S3	TM9Y100C16MP11	21.0	CF/CM64D	1275	35.8	29.9	15.00	12.75
TCHD36S4(3,4)S3	TM9Y100C20MP11	21.0	CF/CM/CU42C	1175	35.8	28.1	13.75	11.50
TCHD36S4(3,4)S3	TM9Y100C20MP11	21.0	CF/CM/CU48C	1175	35.8	28.0	14.00	11.75
TCHD36S4(3,4)S3	TM9Y100C20MP11	21.0	CF/CM/CU48D	1200	35.8	28.4	14.00	11.50
TCHD36S4(3,4)S3	TM9Y100C20MP11	21.0	CF/CM/CU60C	1350	35.8	29.6	14.50	12.25
TCHD36S4(3,4)S3	TM9Y100C20MP11	21.0	CF/CM42D	1200	35.8	28.3	13.75	11.50
TCHD36S4(3,4)S3	TM9Y100C20MP11	21.0	CF/CM50C	1150	34.8	27.6	14.25	12.00
TCHD36S4(3,4)S3	TM9Y100C20MP11	21.0	CF/CM61D	1175	34.8	27.9	14.75	12.25
TCHD36S4(3,4)S3	TM9Y100C20MP11	21.0	CF/CM64D	1375	35.8	31.2	15.00	12.75
TCHD36S4(3,4)S3	TM9Y120D20MP11	24.5	CF/CM/CU48D	1250	35.8	29.1	14.00	11.75
TCHD36S4(3,4)S3	TM9Y120D20MP11	24.5	CF/CM42D	1250	35.8	29.1	13.75	11.25
TCHD36S4(3,4)S3	TM9Y120D20MP11	24.5	CF/CM61D	1225	35.0	28.6	14.75	12.50
TCHD36S4(3,4)S3	TM9Y120D20MP11	24.5	CF/CM64D	1400	35.8	31.6	15.00	12.75
TCHD36S4(3,4)S3	TMLE040A12MP11	14.5	CF42B	1175	35.4	27.8	13.75	11.50
TCHD36S4(3,4)S3	TMLE060A12MP11	14.5	CF42B	1200	35.4	28.0	13.75	11.50
TCHD36S4(3,4)S3	TMLE080B12MP11	17.5	CF/CM/CU42C	1250	35.6	28.7	13.75	11.75
TCHD36S4(3,4)S3	TMLE080B12MP11	17.5	CF/CM/CU48C	1050	35.4	26.4	14.00	11.75
TCHD36S4(3,4)S3	TMLE080B12MP11	17.5	CF/CM/CU60C	1050	35.0	25.9	14.50	12.25
TCHD36S4(3,4)S3	TMLE080B12MP11	17.5	CF/CM50C	1225	34.6	28.3	14.00	11.75
TCHD36S4(3,4)S3	TMLE080B12MP11	17.5	CF42B	1200	35.4	28.0	13.75	11.50
TCHD36S4(3,4)S3	TMLE080C16MP11	21.0	CF/CM/CU42C	1100	35.6	27.4	13.75	11.25
TCHD36S4(3,4)S3	TMLE080C16MP11	21.0	CF/CM/CU48C	1100	35.6	27.1	14.00	11.75
TCHD36S4(3,4)S3	TMLE080C16MP11	21.0	CF/CM/CU48D	1100	35.6	27.1	14.00	11.50
TCHD36S4(3,4)S3	TMLE080C16MP11	21.0	CF/CM/CU60C	1100	35.4	26.6	14.50	12.00
TCHD36S4(3,4)S3	TMLE080C16MP11	21.0	CF/CM42D	1125	35.8	27.7	13.75	11.50
TCHD36S4(3,4)S3	TMLE080C16MP11	21.0	CF/CM50C	1075	34.6	26.6	14.25	11.75
TCHD36S4(3,4)S3	TMLE080C16MP11	21.0	CF/CM61D	1275	35.0	29.2	14.50	12.25
TCHD36S4(3,4)S3	TMLE080C16MP11	21.0	CF/CM64D	1100	35.8	27.7	15.00	12.50
TCHD36S4(3,4)S3	TMLE080C20MP11	21.0	CF/CM/CU42C	1250	35.8	29.1	13.75	11.25
TCHD36S4(3,4)S3	TMLE080C20MP11	21.0	CF/CM/CU48C	1250	35.8	29.1	14.00	11.75
TCHD36S4(3,4)S3	TMLE080C20MP11	21.0	CF/CM/CU48D	1275	35.8	29.6	14.00	11.50
TCHD36S4(3,4)S3	TMLE080C20MP11	21.0	CF/CM/CU60C	1250	35.8	28.5	14.50	12.00
TCHD36S4(3,4)S3	TMLE080C20MP11	21.0	CF/CM42D	1275	35.8	29.6	13.75	11.50
TCHD36S4(3,4)S3	TMLE080C20MP11	21.0	CF/CM50C	1225	35.0	28.6	14.25	12.00
TCHD36S4(3,4)S3	TMLE080C20MP11	21.0	CF/CM61D	1250	35.0	28.9	14.75	12.25
TCHD36S4(3,4)S3	TMLE080C20MP11	21.0	CF/CM64D	1250	35.8	29.7	15.00	12.50
TCHD36S4(3,4)S3	TMLE100B12MP11	17.5	CF/CM/CU42C	1100	35.4	27.2	13.75	11.25
TCHD36S4(3,4)S3	TMLE100B12MP11	17.5	CF/CM/CU48C	1100	35.6	27.2	14.00	11.50
TCHD36S4(3,4)S3	TMLE100B12MP11	17.5	CF/CM/CU60C	1100	35.2	26.5	14.50	12.25

COOLING CAPACITY - With High Efficiency Motor Furnaces (Continued)

UNIT MODEL	FURNACE		COIL MODEL ¹	COOLING				
	MODEL	WIDTH		RATED CFM	Net MBH		SEER	EER
					TOTAL	SENS.		
TCHD36S4(3,4)S3	TMLE100B12MP11	17.5	CF/CM50C	1075	34.4	26.5	14.25	12.00
TCHD36S4(3,4)S3	TMLE100B12MP11	17.5	CF42B	1050	35.2	26.7	13.75	11.50
TCHD36S4(3,4)S3	TMLE100C16MP11	21.0	CF/CM/CU42C	1125	35.6	27.5	13.75	11.25
TCHD36S4(3,4)S3	TMLE100C16MP11	21.0	CF/CM/CU48C	1125	35.8	27.6	14.00	11.75
TCHD36S4(3,4)S3	TMLE100C16MP11	21.0	CF/CM/CU48D	1125	35.8	27.6	14.00	11.75
TCHD36S4(3,4)S3	TMLE100C16MP11	21.0	CF/CM/CU60C	1125	35.4	27.0	14.50	12.25
TCHD36S4(3,4)S3	TMLE100C16MP11	21.0	CF/CM42D	1125	35.6	27.5	13.75	11.25
TCHD36S4(3,4)S3	TMLE100C16MP11	21.0	CF/CM50C	1100	34.6	27.0	14.25	11.75
TCHD36S4(3,4)S3	TMLE100C16MP11	21.0	CF/CM61D	1100	34.6	27.0	14.75	12.25
TCHD36S4(3,4)S3	TMLE100C16MP11	21.0	CF/CM64D	1125	35.8	28.0	15.00	12.50
TCHD36S4(3,4)S3	TMLE100C20MP11	21.0	CF/CM/CU42C	1250	35.8	29.1	13.75	11.25
TCHD36S4(3,4)S3	TMLE100C20MP11	21.0	CF/CM/CU48C	1250	35.8	29.1	14.00	11.75
TCHD36S4(3,4)S3	TMLE100C20MP11	21.0	CF/CM/CU48D	1275	35.8	29.6	14.00	11.50
TCHD36S4(3,4)S3	TMLE100C20MP11	21.0	CF/CM/CU60C	1250	35.8	28.5	14.50	12.00
TCHD36S4(3,4)S3	TMLE100C20MP11	21.0	CF/CM42D	1275	35.8	29.6	13.75	11.50
TCHD36S4(3,4)S3	TMLE100C20MP11	21.0	CF/CM50C	1225	35.0	28.6	14.25	12.00
TCHD36S4(3,4)S3	TMLE100C20MP11	21.0	CF/CM61D	1225	35.0	28.6	14.75	12.50
TCHD36S4(3,4)S3	TMLE100C20MP11	21.0	CF/CM64D	1250	35.8	29.7	15.00	12.50
TCHD36S4(3,4)S3	TMLE120C16MP11	21.0	CF/CM/CU42C	1125	35.6	27.5	13.75	11.25
TCHD36S4(3,4)S3	TMLE120C16MP11	21.0	CF/CM/CU48C	1125	35.8	27.6	14.00	11.75
TCHD36S4(3,4)S3	TMLE120C16MP11	21.0	CF/CM/CU48D	1125	35.8	27.6	14.00	11.75
TCHD36S4(3,4)S3	TMLE120C16MP11	21.0	CF/CM/CU60C	1125	35.4	27.0	14.50	12.00
TCHD36S4(3,4)S3	TMLE120C16MP11	21.0	CF/CM42D	1125	35.6	27.5	13.75	11.50
TCHD36S4(3,4)S3	TMLE120C16MP11	21.0	CF/CM50C	1100	34.6	27.0	14.25	11.75
TCHD36S4(3,4)S3	TMLE120C16MP11	21.0	CF/CM61D	1300	35.0	29.5	14.50	12.25
TCHD36S4(3,4)S3	TMLE120C16MP11	21.0	CF/CM64D	1125	35.8	28.0	15.00	12.50
TCHD36S4(3,4)S3	TMLE120C20MP11	21.0	CF/CM/CU42C	1275	35.8	29.6	13.75	11.50
TCHD36S4(3,4)S3	TMLE120C20MP11	21.0	CF/CM/CU48C	1300	35.8	29.8	14.00	11.50
TCHD36S4(3,4)S3	TMLE120C20MP11	21.0	CF/CM/CU48D	1300	35.8	29.8	14.00	11.75
TCHD36S4(3,4)S3	TMLE120C20MP11	21.0	CF/CM/CU60C	1275	35.8	28.9	14.50	12.25
TCHD36S4(3,4)S3	TMLE120C20MP11	21.0	CF/CM/CU60D	1325	35.8	29.5	14.50	12.00
TCHD36S4(3,4)S3	TMLE120C20MP11	21.0	CF/CM42D	1300	35.8	29.9	13.75	11.25
TCHD36S4(3,4)S3	TMLE120C20MP11	21.0	CF/CM50C	1250	35.0	28.9	14.25	11.75
TCHD36S4(3,4)S3	TMLE120C20MP11	21.0	CF/CM61D	1275	35.0	29.1	14.75	12.50
TCHD36S4(3,4)S3	TMLE120C20MP11	21.0	CF/CM64D	1300	35.8	30.5	15.00	12.50
TCHD36S4(3,4)S3	TMLE130D20MP11	24.5	CF/CM/CU48D	1300	35.8	29.8	14.00	11.75
TCHD36S4(3,4)S3	TMLE130D20MP11	24.5	CF/CM42D	1300	35.8	29.9	13.75	11.25
TCHD36S4(3,4)S3	TMLE130D20MP11	24.5	CF/CM61D	1275	35.2	29.3	14.75	12.50
TCHD36S4(3,4)S3	TMLE130D20MP11	24.5	CF/CM64D	1300	35.8	30.5	15.00	12.50
TCHD36S4(3,4)S3	TMLV060A12MP12C	14.5	CF42B	1050	35.0	26.5	13.75	11.50
TCHD36S4(3,4)S3	TMLV080B12MP12C	17.5	CF/CM/CU42C	1100	35.2	27.1	13.75	11.50
TCHD36S4(3,4)S3	TMLV080B12MP12C	17.5	CF/CM/CU48C	1100	35.2	26.8	14.00	12.00
TCHD36S4(3,4)S3	TMLV080B12MP12C	17.5	CF/CM/CU60C	1100	35.0	26.4	14.25	12.00
TCHD36S4(3,4)S3	TMLV080B12MP12C	17.5	CF42B	1100	35.0	27.0	13.75	11.50
TCHD36S4(3,4)S3	TMLV080C16MP12C	21.0	CF/CM/CU42C	1050	35.4	26.8	13.75	11.50
TCHD36S4(3,4)S3	TMLV080C16MP12C	21.0	CF/CM/CU48C	1050	35.6	26.6	14.00	11.75
TCHD36S4(3,4)S3	TMLV080C16MP12C	21.0	CF/CM/CU48D	1050	35.6	26.6	14.00	11.75
TCHD36S4(3,4)S3	TMLV080C16MP12C	21.0	CF/CM/CU60C	1050	35.2	26.0	14.50	12.25
TCHD36S4(3,4)S3	TMLV080C16MP12C	21.0	CF/CM42D	1050	35.4	26.8	13.75	11.25
TCHD36S4(3,4)S3	TMLV080C16MP12C	21.0	CF/CM50C	1150	34.8	27.6	14.25	12.00
TCHD36S4(3,4)S3	TMLV080C16MP12C	21.0	CF/CM61D	1200	34.8	28.2	14.50	12.25
TCHD36S4(3,4)S3	TMLV080C16MP12C	21.0	CF/CM64D	1150	35.8	28.4	15.00	12.75
TCHD36S4(3,4)S3	TMLV100C16MP12C	21.0	CF/CM/CU42C	1050	35.4	26.8	13.75	11.50

COOLING CAPACITY - With High Efficiency Motor Furnaces (Continued)

UNIT MODEL	FURNACE		COIL MODEL ¹	COOLING				
	MODEL	WIDTH		RATED CFM	Net MBH		SEER	EER
					TOTAL	SENS.		
TCHD36S4(3,4)S3	TMLV100C16MP12C	21.0	CF/CM/CU48C	1050	35.6	26.6	14.00	11.75
TCHD36S4(3,4)S3	TMLV100C16MP12C	21.0	CF/CM/CU48D	1050	35.6	26.6	14.00	11.75
TCHD36S4(3,4)S3	TMLV100C16MP12C	21.0	CF/CM/CU60C	1050	35.2	26.0	14.50	12.25
TCHD36S4(3,4)S3	TMLV100C16MP12C	21.0	CF/CM42D	1050	35.4	26.8	13.75	11.25
TCHD36S4(3,4)S3	TMLV100C16MP12C	21.0	CF/CM50C	1150	34.8	27.6	14.25	12.00
TCHD36S4(3,4)S3	TMLV100C16MP12C	21.0	CF/CM61D	1200	34.8	28.2	14.50	12.25
TCHD36S4(3,4)S3	TMLV100C16MP12C	21.0	CF/CM64D	1150	35.8	28.4	15.00	12.75
TCHD36S4(3,4)S3	TMLV100C20MP12C	21.0	CF/CM/CU42C	1225	35.8	28.7	13.75	11.25
TCHD36S4(3,4)S3	TMLV100C20MP12C	21.0	CF/CM/CU48C	1225	35.8	28.9	14.00	11.75
TCHD36S4(3,4)S3	TMLV100C20MP12C	21.0	CF/CM/CU48D	1225	35.8	28.9	14.00	11.50
TCHD36S4(3,4)S3	TMLV100C20MP12C	21.0	CF/CM/CU60C	1325	35.8	29.4	14.50	12.25
TCHD36S4(3,4)S3	TMLV100C20MP12C	21.0	CF/CM42D	1225	35.8	28.7	13.75	11.50
TCHD36S4(3,4)S3	TMLV100C20MP12C	21.0	CF/CM50C	1225	35.0	28.6	14.25	11.75
TCHD36S4(3,4)S3	TMLV100C20MP12C	21.0	CF/CM61D	1225	35.0	28.6	14.75	12.50
TCHD36S4(3,4)S3	TMLV100C20MP12C	21.0	CF/CM64D	1375	35.8	31.3	15.00	12.75
TCHD36S4(3,4)S3	TMLV120C20MP12C	21.0	CF/CM/CU42C	1225	35.8	28.7	13.75	11.25
TCHD36S4(3,4)S3	TMLV120C20MP12C	21.0	CF/CM/CU48C	1225	35.8	28.9	14.00	11.75
TCHD36S4(3,4)S3	TMLV120C20MP12C	21.0	CF/CM/CU48D	1225	35.8	28.9	14.00	11.50
TCHD36S4(3,4)S3	TMLV120C20MP12C	21.0	CF/CM/CU60C	1325	35.8	29.4	14.50	12.25
TCHD36S4(3,4)S3	TMLV120C20MP12C	21.0	CF/CM42D	1225	35.8	28.7	13.75	11.50
TCHD36S4(3,4)S3	TMLV120C20MP12C	21.0	CF/CM50C	1225	35.0	28.6	14.25	11.75
TCHD36S4(3,4)S3	TMLV120C20MP12C	21.0	CF/CM61D	1225	35.0	28.6	14.75	12.50
TCHD36S4(3,4)S3	TMLV120C20MP12C	21.0	CF/CM64D	1375	35.8	31.3	15.00	12.75
TCHD36S4(3,4)S3	TMLX060A12MP11	14.5	CF42B	1125	35.2	27.2	13.75	11.75
TCHD36S4(3,4)S3	TMLX080B12MP11	17.5	CF/CM/CU42C	1200	35.6	28.2	13.75	11.50
TCHD36S4(3,4)S3	TMLX080B12MP11	17.5	CF/CM/CU48C	1200	35.8	28.3	14.00	11.50
TCHD36S4(3,4)S3	TMLX080B12MP11	17.5	CF/CM/CU60C	1200	35.4	27.7	14.50	12.25
TCHD36S4(3,4)S3	TMLX080B12MP11	17.5	CF/CM50C	1175	34.6	27.7	14.25	12.00
TCHD36S4(3,4)S3	TMLX080B12MP11	17.5	CF42B	1150	35.4	27.7	13.75	11.75
TCHD36S4(3,4)S3	TMLX080C16MP11	21.0	CF/CM/CU42C	1150	35.6	27.9	13.75	11.50
TCHD36S4(3,4)S3	TMLX080C16MP11	21.0	CF/CM/CU48C	1150	35.8	27.8	14.00	11.50
TCHD36S4(3,4)S3	TMLX080C16MP11	21.0	CF/CM/CU48D	1150	35.8	27.8	14.00	11.50
TCHD36S4(3,4)S3	TMLX080C16MP11	21.0	CF/CM/CU60C	1150	35.4	27.2	14.50	12.25
TCHD36S4(3,4)S3	TMLX080C16MP11	21.0	CF/CM42D	1175	35.8	28.1	13.75	11.25
TCHD36S4(3,4)S3	TMLX080C16MP11	21.0	CF/CM50C	1125	34.8	27.4	14.25	12.00
TCHD36S4(3,4)S3	TMLX080C16MP11	21.0	CF/CM61D	1125	34.8	27.4	14.75	12.50
TCHD36S4(3,4)S3	TMLX080C16MP11	21.0	CF/CM64D	1375	35.8	31.2	15.00	12.50
TCHD36S4(3,4)S3	TMLX100C16MP11	21.0	CF/CM/CU42C	1150	35.6	27.9	13.75	11.50
TCHD36S4(3,4)S3	TMLX100C16MP11	21.0	CF/CM/CU48C	1150	35.8	27.8	14.00	11.50
TCHD36S4(3,4)S3	TMLX100C16MP11	21.0	CF/CM/CU48D	1150	35.8	27.8	14.00	11.50
TCHD36S4(3,4)S3	TMLX100C16MP11	21.0	CF/CM/CU60C	1150	35.4	27.2	14.50	12.25
TCHD36S4(3,4)S3	TMLX100C16MP11	21.0	CF/CM42D	1175	35.8	28.1	13.75	11.25
TCHD36S4(3,4)S3	TMLX100C16MP11	21.0	CF/CM50C	1125	34.8	27.4	14.25	12.00
TCHD36S4(3,4)S3	TMLX100C16MP11	21.0	CF/CM61D	1125	34.8	27.4	14.75	12.50
TCHD36S4(3,4)S3	TMLX100C16MP11	21.0	CF/CM64D	1375	35.8	31.2	15.00	12.50
TCHD36S4(3,4)S3	TMLX100C20MP11	21.0	CF/CM/CU42C	1225	35.8	28.7	13.75	11.50
TCHD36S4(3,4)S3	TMLX100C20MP11	21.0	CF/CM/CU48C	1225	35.8	28.9	14.00	11.50
TCHD36S4(3,4)S3	TMLX100C20MP11	21.0	CF/CM/CU48D	1250	35.8	29.1	14.00	11.50
TCHD36S4(3,4)S3	TMLX100C20MP11	21.0	CF/CM/CU60C	1225	35.8	28.2	14.50	12.00
TCHD36S4(3,4)S3	TMLX100C20MP11	21.0	CF/CM42D	1250	35.8	29.3	13.75	11.25
TCHD36S4(3,4)S3	TMLX100C20MP11	21.0	CF/CM50C	1200	35.0	28.3	14.25	11.75
TCHD36S4(3,4)S3	TMLX100C20MP11	21.0	CF/CM61D	1200	35.0	28.3	14.75	12.25
TCHD36S4(3,4)S3	TMLX100C20MP11	21.0	CF/CM64D	1400	35.8	31.6	15.00	12.75

COOLING CAPACITY - With High Efficiency Motor Furnaces (Continued)

UNIT MODEL	FURNACE		COIL MODEL ¹	COOLING				
	MODEL	WIDTH		RATED CFM	Net MBH		SEER	EER
					TOTAL	SENS.		
TCHD36S4(3,4)S3	TMLX120C20MP11	21.0	CF/CM/CU42C	1225	35.8	28.7	13.75	11.50
TCHD36S4(3,4)S3	TMLX120C20MP11	21.0	CF/CM/CU48C	1225	35.8	28.9	14.00	11.50
TCHD36S4(3,4)S3	TMLX120C20MP11	21.0	CF/CM/CU48D	1250	35.8	29.1	14.00	11.50
TCHD36S4(3,4)S3	TMLX120C20MP11	21.0	CF/CM/CU60C	1225	35.8	28.2	14.50	12.00
TCHD36S4(3,4)S3	TMLX120C20MP11	21.0	CF/CM42D	1250	35.8	29.3	13.75	11.25
TCHD36S4(3,4)S3	TMLX120C20MP11	21.0	CF/CM50C	1200	35.0	28.3	14.25	11.75
TCHD36S4(3,4)S3	TMLX120C20MP11	21.0	CF/CM61D	1200	35.0	28.3	14.75	12.25
TCHD36S4(3,4)S3	TMLX120C20MP11	21.0	CF/CM64D	1400	35.8	31.6	15.00	12.75
TCHD36S4(3,4)S3	TP9C060B12MP13C	17.5	CF/CM/CU42C	1100	35.2	27.1	13.75	11.50
TCHD36S4(3,4)S3	TP9C060B12MP13C	17.5	CF/CM/CU48C	1100	35.2	26.8	14.00	11.75
TCHD36S4(3,4)S3	TP9C060B12MP13C	17.5	CF/CM/CU60C	1100	35.0	26.3	14.25	12.00
TCHD36S4(3,4)S3	TP9C060B12MP13C	17.5	CF/CM50C	1100	34.2	26.6	14.00	11.75
TCHD36S4(3,4)S3	TP9C060B12MP13C	17.5	CF42B	1100	35.0	26.9	13.75	11.75
TCHD36S4(3,4)S3	TP9C080B12MP13C	17.5	CF/CM/CU42C	1150	35.4	27.7	13.75	11.50
TCHD36S4(3,4)S3	TP9C080B12MP13C	17.5	CF/CM/CU48C	1250	35.8	28.8	14.00	11.75
TCHD36S4(3,4)S3	TP9C080B12MP13C	17.5	CF/CM/CU60C	1250	35.4	28.2	14.25	12.00
TCHD36S4(3,4)S3	TP9C080B12MP13C	17.5	CF/CM50C	1175	34.6	27.7	14.00	11.75
TCHD36S4(3,4)S3	TP9C080B12MP13C	17.5	CF42B	1175	35.4	27.8	13.75	11.50
TCHD36S4(3,4)S3	TP9C080C16MP13C	21.0	CF/CM/CU42C	1125	35.6	27.5	13.75	11.50
TCHD36S4(3,4)S3	TP9C080C16MP13C	21.0	CF/CM/CU48C	1300	35.8	29.5	14.00	11.75
TCHD36S4(3,4)S3	TP9C080C16MP13C	21.0	CF/CM/CU48D	1300	35.8	29.5	14.00	11.75
TCHD36S4(3,4)S3	TP9C080C16MP13C	21.0	CF/CM/CU60C	1300	35.8	28.7	14.50	12.25
TCHD36S4(3,4)S3	TP9C080C16MP13C	21.0	CF/CM42D	1225	35.8	28.6	13.75	11.50
TCHD36S4(3,4)S3	TP9C080C16MP13C	21.0	CF/CM50C	1225	34.6	28.3	14.00	12.00
TCHD36S4(3,4)S3	TP9C080C16MP13C	21.0	CF/CM61D	1300	34.8	29.3	14.00	11.75
TCHD36S4(3,4)S3	TP9C080C16MP13C	21.0	CF/CM64D	1375	35.8	31.0	14.50	12.25
TCHD36S4(3,4)S3	TP9C100C16MP13C	21.0	CF/CM/CU42C	1225	35.8	28.7	13.75	11.50
TCHD36S4(3,4)S3	TP9C100C16MP13C	21.0	CF/CM/CU48C	1275	35.8	29.4	14.00	11.75
TCHD36S4(3,4)S3	TP9C100C16MP13C	21.0	CF/CM/CU48D	1300	35.8	29.6	14.00	11.75
TCHD36S4(3,4)S3	TP9C100C16MP13C	21.0	CF/CM/CU60C	1325	35.8	29.4	14.50	12.25
TCHD36S4(3,4)S3	TP9C100C16MP13C	21.0	CF/CM42D	1250	35.8	29.1	13.75	11.50
TCHD36S4(3,4)S3	TP9C100C16MP13C	21.0	CF/CM50C	1275	35.0	29.2	14.25	12.00
TCHD36S4(3,4)S3	TP9C100C16MP13C	21.0	CF/CM61D	1275	35.0	29.2	14.50	12.25
TCHD36S4(3,4)S3	TP9C100C16MP13C	21.0	CF/CM64D	1300	35.8	30.3	15.00	12.50
TCHD36S4(3,4)S3	TP9C100C20MP13C	21.0	CF/CM/CU42C	1225	35.8	28.7	13.75	11.50
TCHD36S4(3,4)S3	TP9C100C20MP13C	21.0	CF/CM/CU48C	1275	35.8	29.4	14.00	11.50
TCHD36S4(3,4)S3	TP9C100C20MP13C	21.0	CF/CM/CU48D	1275	35.8	29.4	14.00	11.75
TCHD36S4(3,4)S3	TP9C100C20MP13C	21.0	CF/CM/CU60C	1350	35.8	29.6	14.50	12.25
TCHD36S4(3,4)S3	TP9C100C20MP13C	21.0	CF/CM42D	1225	35.8	28.7	13.75	11.50
TCHD36S4(3,4)S3	TP9C100C20MP13C	21.0	CF/CM50C	1275	34.8	29.0	14.25	12.00
TCHD36S4(3,4)S3	TP9C100C20MP13C	21.0	CF/CM61D	1275	35.0	29.2	14.25	12.00
TCHD36S4(3,4)S3	TP9C100C20MP13C	21.0	CF/CM64D	1350	35.8	30.8	15.00	12.75
TCHD36S4(3,4)S3	TP9C120D20MP13C	24.5	CF/CM/CU48D	1300	35.8	29.8	14.00	11.75
TCHD36S4(3,4)S3	TP9C120D20MP13C	24.5	CF/CM42D	1250	35.8	29.3	13.75	11.50
TCHD36S4(3,4)S3	TP9C120D20MP13C	24.5	CF/CM61D	1300	35.0	29.5	14.50	12.25
TCHD36S4(3,4)S3	TP9C120D20MP13C	24.5	CF/CM64D	1400	35.8	31.6	15.00	12.75
TCHD36S4(3,4)S3	TPLC060A12MP13C	14.5	CF42B	1050	35.0	26.5	13.75	11.50
TCHD36S4(3,4)S3	TPLC080B12MP13C	17.5	CF/CM/CU42C	1100	35.2	27.1	13.75	11.50
TCHD36S4(3,4)S3	TPLC080B12MP13C	17.5	CF/CM/CU48C	1100	35.2	26.8	14.00	12.00
TCHD36S4(3,4)S3	TPLC080B12MP13C	17.5	CF/CM/CU60C	1100	35.0	26.4	14.25	12.00
TCHD36S4(3,4)S3	TPLC080B12MP13C	17.5	CF42B	1100	35.0	27.0	13.75	11.50
TCHD36S4(3,4)S3	TPLC080C16MP13C	21.0	CF/CM/CU42C	1050	35.4	26.8	13.75	11.50
TCHD36S4(3,4)S3	TPLC080C16MP13C	21.0	CF/CM/CU48C	1050	35.6	26.6	14.00	11.75

COOLING CAPACITY - With High Efficiency Motor Furnaces (Continued)

UNIT MODEL	FURNACE		COIL MODEL ¹	COOLING				
	MODEL	WIDTH		RATED CFM	Net MBH		SEER	EER
					TOTAL	SENS.		
TCHD36S4(3,4)S3	TPLC080C16MP13C	21.0	CF/CM/CU48D	1050	35.6	26.6	14.00	11.75
TCHD36S4(3,4)S3	TPLC080C16MP13C	21.0	CF/CM/CU60C	1050	35.2	26.0	14.50	12.25
TCHD36S4(3,4)S3	TPLC080C16MP13C	21.0	CF/CM42D	1050	35.4	26.8	13.75	11.25
TCHD36S4(3,4)S3	TPLC080C16MP13C	21.0	CF/CM50C	1150	34.8	27.6	14.25	12.00
TCHD36S4(3,4)S3	TPLC080C16MP13C	21.0	CF/CM61D	1200	34.8	28.2	14.50	12.25
TCHD36S4(3,4)S3	TPLC080C16MP13C	21.0	CF/CM64D	1150	35.8	28.4	15.00	12.75
TCHD36S4(3,4)S3	TPLC100C16MP13C	21.0	CF/CM/CU42C	1050	35.4	26.8	13.75	11.50
TCHD36S4(3,4)S3	TPLC100C16MP13C	21.0	CF/CM/CU48C	1050	35.6	26.6	14.00	11.75
TCHD36S4(3,4)S3	TPLC100C16MP13C	21.0	CF/CM/CU48D	1050	35.6	26.6	14.00	11.75
TCHD36S4(3,4)S3	TPLC100C16MP13C	21.0	CF/CM/CU60C	1050	35.2	26.0	14.50	12.25
TCHD36S4(3,4)S3	TPLC100C16MP13C	21.0	CF/CM42D	1050	35.4	26.8	13.75	11.25
TCHD36S4(3,4)S3	TPLC100C16MP13C	21.0	CF/CM50C	1150	34.8	27.6	14.25	12.00
TCHD36S4(3,4)S3	TPLC100C16MP13C	21.0	CF/CM61D	1200	34.8	28.2	14.50	12.25
TCHD36S4(3,4)S3	TPLC100C16MP13C	21.0	CF/CM64D	1150	35.8	28.4	15.00	12.75
TCHD36S4(3,4)S3	TPLC100C20MP13C	21.0	CF/CM/CU42C	1225	35.8	28.7	13.75	11.25
TCHD36S4(3,4)S3	TPLC100C20MP13C	21.0	CF/CM/CU48C	1225	35.8	28.9	14.00	11.75
TCHD36S4(3,4)S3	TPLC100C20MP13C	21.0	CF/CM/CU48D	1225	35.8	28.9	14.00	11.50
TCHD36S4(3,4)S3	TPLC100C20MP13C	21.0	CF/CM/CU60C	1325	35.8	29.4	14.50	12.25
TCHD36S4(3,4)S3	TPLC100C20MP13C	21.0	CF/CM42D	1225	35.8	28.7	13.75	11.50
TCHD36S4(3,4)S3	TPLC100C20MP13C	21.0	CF/CM50C	1225	35.0	28.6	14.25	11.75
TCHD36S4(3,4)S3	TPLC100C20MP13C	21.0	CF/CM61D	1225	35.0	28.6	14.75	12.50
TCHD36S4(3,4)S3	TPLC100C20MP13C	21.0	CF/CM64D	1375	35.8	31.3	15.00	12.75
TCHD36S4(3,4)S3	TPLC120C20MP13C	21.0	CF/CM/CU42C	1225	35.8	28.7	13.75	11.25
TCHD36S4(3,4)S3	TPLC120C20MP13C	21.0	CF/CM/CU48C	1225	35.8	28.9	14.00	11.75
TCHD36S4(3,4)S3	TPLC120C20MP13C	21.0	CF/CM/CU48D	1225	35.8	28.9	14.00	11.50
TCHD36S4(3,4)S3	TPLC120C20MP13C	21.0	CF/CM/CU60C	1325	35.8	29.4	14.50	12.25
TCHD36S4(3,4)S3	TPLC120C20MP13C	21.0	CF/CM42D	1225	35.8	28.7	13.75	11.50
TCHD36S4(3,4)S3	TPLC120C20MP13C	21.0	CF/CM50C	1225	35.0	28.6	14.25	11.75
TCHD36S4(3,4)S3	TPLC120C20MP13C	21.0	CF/CM61D	1225	35.0	28.6	14.75	12.50
TCHD36S4(3,4)S3	TPLC120C20MP13C	21.0	CF/CM64D	1375	35.8	31.3	15.00	12.75
TCHD36S4(3,4)S3	CP9C060B12MP13C	17.5	CF/CM/CU42C	1100	35.2	27.1	13.75	11.50
TCHD36S4(3,4)S3	CP9C060B12MP13C	17.5	CF/CM/CU48C	1100	35.2	26.8	14.00	11.75
TCHD36S4(3,4)S3	CP9C060B12MP13C	17.5	CF/CM/CU60C	1100	35.0	26.3	14.25	12.00
TCHD36S4(3,4)S3	CP9C060B12MP13C	17.5	CF/CM50C	1100	34.2	26.6	14.00	11.75
TCHD36S4(3,4)S3	CP9C060B12MP13C	17.5	CF42B	1100	35.0	26.9	13.75	11.75
TCHD36S4(3,4)S3	CP9C080B12MP13C	17.5	CF/CM/CU42C	1150	35.4	27.7	13.75	11.50
TCHD36S4(3,4)S3	CP9C080B12MP13C	17.5	CF/CM/CU48C	1250	35.8	28.8	14.00	11.75
TCHD36S4(3,4)S3	CP9C080B12MP13C	17.5	CF/CM/CU60C	1250	35.4	28.2	14.25	12.00
TCHD36S4(3,4)S3	CP9C080B12MP13C	17.5	CF/CM50C	1175	34.6	27.7	14.00	11.75
TCHD36S4(3,4)S3	CP9C080B12MP13C	17.5	CF42B	1175	35.4	27.8	13.75	11.50
TCHD36S4(3,4)S3	CP9C080C16MP13C	21.0	CF/CM/CU42C	1125	35.6	27.5	13.75	11.50
TCHD36S4(3,4)S3	CP9C080C16MP13C	21.0	CF/CM/CU48C	1300	35.8	29.5	14.00	11.75
TCHD36S4(3,4)S3	CP9C080C16MP13C	21.0	CF/CM/CU48D	1300	35.8	29.5	14.00	11.75
TCHD36S4(3,4)S3	CP9C080C16MP13C	21.0	CF/CM/CU60C	1300	35.8	28.7	14.50	12.25
TCHD36S4(3,4)S3	CP9C080C16MP13C	21.0	CF/CM42D	1225	35.8	28.6	13.75	11.50
TCHD36S4(3,4)S3	CP9C080C16MP13C	21.0	CF/CM50C	1225	34.6	28.3	14.00	12.00
TCHD36S4(3,4)S3	CP9C080C16MP13C	21.0	CF/CM61D	1300	34.8	29.3	14.00	11.75
TCHD36S4(3,4)S3	CP9C080C16MP13C	21.0	CF/CM64D	1375	35.8	31.0	14.50	12.25
TCHD36S4(3,4)S3	CP9C100C16MP13C	21.0	CF/CM/CU42C	1225	35.8	28.7	13.75	11.50
TCHD36S4(3,4)S3	CP9C100C16MP13C	21.0	CF/CM/CU48C	1275	35.8	29.4	14.00	11.75
TCHD36S4(3,4)S3	CP9C100C16MP13C	21.0	CF/CM/CU48D	1300	35.8	29.6	14.00	11.75
TCHD36S4(3,4)S3	CP9C100C16MP13C	21.0	CF/CM/CU60C	1325	35.8	29.4	14.50	12.25
TCHD36S4(3,4)S3	CP9C100C16MP13C	21.0	CF/CM42D	1250	35.8	29.1	13.75	11.50

COOLING CAPACITY - With High Efficiency Motor Furnaces (Continued)

UNIT MODEL	FURNACE		COIL MODEL ¹	COOLING				
	MODEL	WIDTH		RATED CFM	Net MBH		SEER	EER
					TOTAL	SENS.		
TCHD36S4(3,4)S3	CP9C100C16MP13C	21.0	CF/CM50C	1275	35.0	29.2	14.25	12.00
TCHD36S4(3,4)S3	CP9C100C16MP13C	21.0	CF/CM61D	1275	35.0	29.2	14.50	12.25
TCHD36S4(3,4)S3	CP9C100C16MP13C	21.0	CF/CM64D	1300	35.8	30.3	15.00	12.50
TCHD36S4(3,4)S3	CP9C100C20MP13C	21.0	CF/CM/CU42C	1225	35.8	28.7	13.75	11.50
TCHD36S4(3,4)S3	CP9C100C20MP13C	21.0	CF/CM/CU48C	1275	35.8	29.4	14.00	11.50
TCHD36S4(3,4)S3	CP9C100C20MP13C	21.0	CF/CM/CU48D	1275	35.8	29.4	14.00	11.75
TCHD36S4(3,4)S3	CP9C100C20MP13C	21.0	CF/CM/CU60C	1350	35.8	29.6	14.50	12.25
TCHD36S4(3,4)S3	CP9C100C20MP13C	21.0	CF/CM42D	1225	35.8	28.7	13.75	11.50
TCHD36S4(3,4)S3	CP9C100C20MP13C	21.0	CF/CM50C	1275	34.8	29.0	14.25	12.00
TCHD36S4(3,4)S3	CP9C100C20MP13C	21.0	CF/CM61D	1275	35.0	29.2	14.25	12.00
TCHD36S4(3,4)S3	CP9C100C20MP13C	21.0	CF/CM64D	1350	35.8	30.8	15.00	12.75
TCHD36S4(3,4)S3	CP9C120D20MP13C	24.5	CF/CM/CU48D	1300	35.8	29.8	14.00	11.75
TCHD36S4(3,4)S3	CP9C120D20MP13C	24.5	CF/CM42D	1250	35.8	29.3	13.75	11.50
TCHD36S4(3,4)S3	CP9C120D20MP13C	24.5	CF/CM61D	1300	35.0	29.5	14.50	12.25
TCHD36S4(3,4)S3	CP9C120D20MP13C	24.5	CF/CM64D	1400	35.8	31.6	15.00	12.75
TCHD36S4(3,4)S3	CPLC060A12MP13C	14.5	CF42B	1050	35.0	26.5	13.75	11.50
TCHD36S4(3,4)S3	CPLC080B12MP13C	17.5	CF/CM/CU42C	1100	35.2	27.1	13.75	11.50
TCHD36S4(3,4)S3	CPLC080B12MP13C	17.5	CF/CM/CU48C	1100	35.2	26.8	14.00	12.00
TCHD36S4(3,4)S3	CPLC080B12MP13C	17.5	CF/CM/CU60C	1100	35.0	26.4	14.25	12.00
TCHD36S4(3,4)S3	CPLC080B12MP13C	17.5	CF42B	1100	35.0	27.0	13.75	11.50
TCHD36S4(3,4)S3	CPLC080C16MP13C	21.0	CF/CM/CU42C	1050	35.4	26.8	13.75	11.50
TCHD36S4(3,4)S3	CPLC080C16MP13C	21.0	CF/CM/CU48C	1050	35.6	26.6	14.00	11.75
TCHD36S4(3,4)S3	CPLC080C16MP13C	21.0	CF/CM/CU48D	1050	35.6	26.6	14.00	11.75
TCHD36S4(3,4)S3	CPLC080C16MP13C	21.0	CF/CM/CU60C	1050	35.2	26.0	14.50	12.25
TCHD36S4(3,4)S3	CPLC080C16MP13C	21.0	CF/CM42D	1050	35.4	26.8	13.75	11.25
TCHD36S4(3,4)S3	CPLC080C16MP13C	21.0	CF/CM50C	1150	34.8	27.6	14.25	12.00
TCHD36S4(3,4)S3	CPLC080C16MP13C	21.0	CF/CM61D	1200	34.8	28.2	14.50	12.25
TCHD36S4(3,4)S3	CPLC080C16MP13C	21.0	CF/CM64D	1150	35.8	28.4	15.00	12.75
TCHD36S4(3,4)S3	CPLC100C16MP13C	21.0	CF/CM/CU42C	1050	35.4	26.8	13.75	11.50
TCHD36S4(3,4)S3	CPLC100C16MP13C	21.0	CF/CM/CU48C	1050	35.6	26.6	14.00	11.75
TCHD36S4(3,4)S3	CPLC100C16MP13C	21.0	CF/CM/CU48D	1050	35.6	26.6	14.00	11.75
TCHD36S4(3,4)S3	CPLC100C16MP13C	21.0	CF/CM/CU60C	1050	35.2	26.0	14.50	12.25
TCHD36S4(3,4)S3	CPLC100C16MP13C	21.0	CF/CM42D	1050	35.4	26.8	13.75	11.25
TCHD36S4(3,4)S3	CPLC100C16MP13C	21.0	CF/CM50C	1150	34.8	27.6	14.25	12.00
TCHD36S4(3,4)S3	CPLC100C16MP13C	21.0	CF/CM61D	1200	34.8	28.2	14.50	12.25
TCHD36S4(3,4)S3	CPLC100C16MP13C	21.0	CF/CM64D	1150	35.8	28.4	15.00	12.75
TCHD36S4(3,4)S3	CPLC100C20MP13C	21.0	CF/CM/CU42C	1225	35.8	28.7	13.75	11.25
TCHD36S4(3,4)S3	CPLC100C20MP13C	21.0	CF/CM/CU48C	1225	35.8	28.9	14.00	11.75
TCHD36S4(3,4)S3	CPLC100C20MP13C	21.0	CF/CM/CU48D	1225	35.8	28.9	14.00	11.50
TCHD36S4(3,4)S3	CPLC100C20MP13C	21.0	CF/CM/CU60C	1325	35.8	29.4	14.50	12.25
TCHD36S4(3,4)S3	CPLC100C20MP13C	21.0	CF/CM42D	1225	35.8	28.7	13.75	11.50
TCHD36S4(3,4)S3	CPLC100C20MP13C	21.0	CF/CM50C	1225	35.0	28.6	14.25	11.75
TCHD36S4(3,4)S3	CPLC100C20MP13C	21.0	CF/CM61D	1225	35.0	28.6	14.75	12.50
TCHD36S4(3,4)S3	CPLC100C20MP13C	21.0	CF/CM64D	1375	35.8	31.3	15.00	12.75
TCHD36S4(3,4)S3	CPLC120C20MP13C	21.0	CF/CM/CU42C	1225	35.8	28.7	13.75	11.25
TCHD36S4(3,4)S3	CPLC120C20MP13C	21.0	CF/CM/CU48C	1225	35.8	28.9	14.00	11.75
TCHD36S4(3,4)S3	CPLC120C20MP13C	21.0	CF/CM/CU48D	1225	35.8	28.9	14.00	11.50
TCHD36S4(3,4)S3	CPLC120C20MP13C	21.0	CF/CM/CU60C	1325	35.8	29.4	14.50	12.25
TCHD36S4(3,4)S3	CPLC120C20MP13C	21.0	CF/CM42D	1225	35.8	28.7	13.75	11.50
TCHD36S4(3,4)S3	CPLC120C20MP13C	21.0	CF/CM50C	1225	35.0	28.6	14.25	11.75
TCHD36S4(3,4)S3	CPLC120C20MP13C	21.0	CF/CM61D	1225	35.0	28.6	14.75	12.50
TCHD36S4(3,4)S3	CPLC120C20MP13C	21.0	CF/CM64D	1375	35.8	31.3	15.00	12.75
TCHD36S4(3,4)S3	T*(8,L)C*A12	14.5	FC/MC/PC32A	1045	32.6	23.7	13.45	11.70

COOLING CAPACITY - With High Efficiency Motor Furnaces (Continued)

UNIT MODEL	FURNACE		COIL MODEL ¹	COOLING				
	MODEL	WIDTH		RATED CFM	Net MBH		SEER	EER
					TOTAL	SENS.		
TCHD36S4(3,4)S3	T*(8,L)C*A12	14.5	FC/MC/PC37A	980	33.0	23.0	13.95	12.00
TCHD36S4(3,4)S3	T*(8,L)C*A12	14.5	HD36	1190	33.2	23.2	13.40	11.70
TCHD36S4(3,4)S3	T*(8,L)C*B12	17.5	FC/MC/PC35B	1220	33.4	23.4	13.55	11.75
TCHD36S4(3,4)S3	T*(8,L)C*B12	17.5	FC/MC/PC43B	1210	34.2	25.2	13.95	12.00
TCHD36S4(3,4)S3	T*(8,L)C*B12	17.5	HD36	1220	33.2	23.2	13.70	12.00
TCHD36S4(3,4)S3	T*(8,L)C*B12	17.5	HD48	1210	34.6	25.2	14.50	12.45
TCHD36S4(3,4)S3	T*(8,L)C*C16	21.0	FC/MC/PC35C	1235	33.6	23.6	14.20	12.30
TCHD36S4(3,4)S3	T*(8,L)C*C16	21.0	FC/MC/PC43C	1205	34.4	25.4	14.60	12.50
TCHD36S4(3,4)S3	T*(8,L)C*C16	21.0	FC/MC/PC48C	1210	35.0	26.0	15.10	13.00
TCHD36S4(3,4)S3	T*(8,L)C*C16	21.0	HD36	1235	33.4	23.4	14.15	12.30
TCHD36S4(3,4)S3	T*(8,L)C*C16	21.0	HD48	1210	34.8	25.4	15.00	13.00
TCHD36S4(3,4)S3	T*(8,L)C*C16	21.0	UC48C	1210	33.6	24.8	14.55	12.45
TCHD36S4(3,4)S3	T*(8,L)C*C20	21.0	FC/MC/PC35C	1170	33.8	23.8	14.50	12.55
TCHD36S4(3,4)S3	T*(8,L)C*C20	21.0	FC/MC/PC43C	1190	34.6	25.4	14.80	12.50
TCHD36S4(3,4)S3	T*(8,L)C*C20	21.0	FC/MC/PC48C	1155	35.2	26.0	15.35	13.10
TCHD36S4(3,4)S3	T*(8,L)C*C20	21.0	HD36	1240	33.6	23.6	14.30	12.40
TCHD36S4(3,4)S3	T*(8,L)C*C20	21.0	HD48	1155	34.8	25.4	15.20	13.05
TCHD36S4(3,4)S3	T*(8,L)C*C20	21.0	UC48C	1155	33.6	24.8	14.75	12.60
TCHD36S4(3,4)S3	T*(8,L)V*A12	14.5	FC/MC/PC37A	980	33.0	23.0	13.95	12.00
TCHD36S4(3,4)S3	T*(8,L)V*B12	17.5	FC/MC/PC43B	1210	34.2	25.2	13.95	12.00
TCHD36S4(3,4)S3	T*(8,L)V*B12	17.5	HD48	1210	34.6	25.2	14.50	12.45
TCHD36S4(3,4)S3	T*(8,L)V*C16	21.0	FC/MC/PC43C	1205	34.4	25.4	14.60	12.50
TCHD36S4(3,4)S3	T*(8,L)V*C16	21.0	FC/MC/PC48C	1210	35.0	26.0	15.10	13.00
TCHD36S4(3,4)S3	T*(8,L)V*C16	21.0	HD48	1210	34.8	25.4	15.00	13.00
TCHD36S4(3,4)S3	T*(8,L)V*C16	21.0	UC48C	1210	33.6	24.8	14.55	12.45
TCHD36S4(3,4)S3	T*(8,L)V*C20	21.0	FC/MC/PC43C	1190	34.6	25.4	14.80	12.50
TCHD36S4(3,4)S3	T*(8,L)V*C20	21.0	FC/MC/PC48C	1155	35.2	26.0	15.35	13.10
TCHD36S4(3,4)S3	T*(8,L)V*C20	21.0	HD48	1155	34.8	25.4	15.20	13.05
TCHD36S4(3,4)S3	T*(8,L)V*C20	21.0	UC48C	1155	33.6	24.8	14.75	12.60
TCHD36S4(3,4)S3	T*9(C,V)*B12	17.5	FC/MC/PC35B	1190	33.4	24.6	13.65	11.85
TCHD36S4(3,4)S3	T*9(C,V)*B12	17.5	FC/MC/PC43B	1200	34.2	25.2	14.00	12.10
TCHD36S4(3,4)S3	T*9(C,V)*B12	17.5	HD36	1165	33.4	24.6	13.85	12.05
TCHD36S4(3,4)S3	T*9(C,V)*B12	17.5	HD48	1150	34.4	25.2	14.25	12.35
TCHD36S4(3,4)S3	T*9(C,V)*C16	21.0	FC/MC/PC35C	1215	33.6	24.8	14.05	12.15
TCHD36S4(3,4)S3	T*9(C,V)*C16	21.0	FC/MC/PC43C	1240	34.2	25.2	14.20	12.25
TCHD36S4(3,4)S3	T*9(C,V)*C16	21.0	FC/MC/PC48C	1195	35.0	25.8	14.85	12.80
TCHD36S4(3,4)S3	T*9(C,V)*C16	21.0	HD36	1185	33.4	24.6	14.20	12.35
TCHD36S4(3,4)S3	T*9(C,V)*C16	21.0	HD48	1195	34.6	25.2	14.70	12.70
TCHD36S4(3,4)S3	T*9(C,V)*C16	21.0	UC48C	1195	33.4	24.6	14.25	12.25
TCHD36S4(3,4)S3	T*9(C,V)*C20	21.0	FC/MC/PC35C	1275	34.2	25.7	13.80	12.00
TCHD36S4(3,4)S3	T*9(C,V)*C20	21.0	FC/MC/PC43C	1200	34.4	25.4	14.65	12.60
TCHD36S4(3,4)S3	T*9(C,V)*C20	21.0	FC/MC/PC48C	1315	35.2	26.8	14.55	12.55
TCHD36S4(3,4)S3	T*9(C,V)*C20	21.0	HD36	1265	33.8	25.0	13.85	12.05
TCHD36S4(3,4)S3	T*9(C,V)*C20	21.0	HD48	1300	34.8	26.2	14.35	12.40
TCHD36S4(3,4)S3	T*9(C,V)*C20	21.0	UC48C	1265	33.8	25.4	14.00	12.00
TCHD36S4(3,4)S3	T*9(C,V)*D20	24.5	FC/MC/PC48D	1240	35.2	26.2	15.00	13.00
TCHD36S4(3,4)S3	T*9(C,V)*D20	24.5	HD48	1225	34.8	25.6	15.00	12.85
TCHD36S4(3,4)S3	T*9(C,V)*D20	24.5	UC48D	1240	33.4	24.6	14.35	12.30
TCHD36S4(3,4)S3	TM8X060A12MP11	14.5	FC/MC/PC37A	1125	33.6	24.3	13.95	11.90
TCHD36S4(3,4)S3	TM8X080B12MP11	17.5	FC/MC/PC35B	1150	33.2	23.9	13.75	11.50
TCHD36S4(3,4)S3	TM8X080B12MP11	17.5	FC/MC/PC43B	1175	33.6	24.3	14.00	11.95
TCHD36S4(3,4)S3	TM8X080C16MP11	21.0	FC/MC/PC35C	1125	33.6	24.1	14.25	12.00
TCHD36S4(3,4)S3	TM8X080C16MP11	21.0	FC/MC/PC43C	1150	33.8	24.5	14.75	12.50

COOLING CAPACITY - With High Efficiency Motor Furnaces (Continued)

UNIT MODEL	FURNACE		COIL MODEL ¹	COOLING				
	MODEL	WIDTH		RATED CFM	Net MBH		SEER	EER
					TOTAL	SENS.		
TCHD36S4(3,4)S3	TM8X080C16MP11	21.0	FC/MC/PC48C	1150	34.0	24.9	14.85	12.60
TCHD36S4(3,4)S3	TM8X080C16MP11	21.0	FC/MC/PC48D	1175	34.0	24.9	14.50	12.25
TCHD36S4(3,4)S3	TM8X080C16MP11	21.0	UC48C	1150	33.8	24.9	14.25	12.00
TCHD36S4(3,4)S3	TM8X080C16MP11	21.0	UC48D	1175	33.8	24.9	14.25	12.25
TCHD36S4(3,4)S3	TM8X100C16MP11	21.0	FC/MC/PC35C	1125	33.6	24.1	14.25	12.00
TCHD36S4(3,4)S3	TM8X100C16MP11	21.0	FC/MC/PC43C	1150	33.8	24.5	14.75	12.50
TCHD36S4(3,4)S3	TM8X100C16MP11	21.0	FC/MC/PC48C	1150	34.0	24.9	14.85	12.60
TCHD36S4(3,4)S3	TM8X100C16MP11	21.0	FC/MC/PC48D	1175	34.0	24.9	14.50	12.25
TCHD36S4(3,4)S3	TM8X100C16MP11	21.0	UC48C	1150	33.8	24.9	14.25	12.00
TCHD36S4(3,4)S3	TM8X100C16MP11	21.0	UC48D	1175	33.8	24.9	14.25	12.25
TCHD36S4(3,4)S3	TM8X100C20MP11	21.0	FC/MC/PC35C	1200	33.6	24.9	14.00	12.00
TCHD36S4(3,4)S3	TM8X100C20MP11	21.0	FC/MC/PC43C	1200	34.4	25.3	14.65	12.50
TCHD36S4(3,4)S3	TM8X100C20MP11	21.0	FC/MC/PC48C	1200	34.6	25.7	14.85	12.65
TCHD36S4(3,4)S3	TM8X100C20MP11	21.0	FC/MC/PC48D	1200	34.6	25.7	14.50	12.25
TCHD36S4(3,4)S3	TM8X100C20MP11	21.0	UC48C	1200	33.6	24.9	14.00	12.00
TCHD36S4(3,4)S3	TM8X100C20MP11	21.0	UC48D	1200	33.6	24.9	14.00	12.00
TCHD36S4(3,4)S3	TM8X120C20MP11	21.0	FC/MC/PC35C	1200	33.6	24.9	14.00	12.00
TCHD36S4(3,4)S3	TM8X120C20MP11	21.0	FC/MC/PC43C	1200	34.4	25.3	14.65	12.50
TCHD36S4(3,4)S3	TM8X120C20MP11	21.0	FC/MC/PC48C	1200	34.6	25.7	14.85	12.65
TCHD36S4(3,4)S3	TM8X120C20MP11	21.0	FC/MC/PC48D	1200	34.6	25.7	14.50	12.25
TCHD36S4(3,4)S3	TM8X120C20MP11	21.0	UC48C	1200	33.6	24.9	14.00	12.00
TCHD36S4(3,4)S3	TM8X120C20MP11	21.0	UC48D	1200	33.6	24.9	14.00	12.00
TCHD36S4(3,4)S3	TM9E060B12MP11	17.5	FC/MC/PC35B	1125	33.2	23.9	13.75	11.50
TCHD36S4(3,4)S3	TM9E060B12MP11	17.5	FC/MC/PC43B	1125	33.6	24.3	14.00	11.95
TCHD36S4(3,4)S3	TM9E080B12MP11	17.5	FC/MC/PC35B	1125	33.2	23.9	13.75	11.50
TCHD36S4(3,4)S3	TM9E080B12MP11	17.5	FC/MC/PC43B	1125	33.6	24.3	14.00	11.95
TCHD36S4(3,4)S3	TM9E080C16MP11	21.0	FC/MC/PC35C	1150	33.4	24.1	14.00	11.75
TCHD36S4(3,4)S3	TM9E080C16MP11	21.0	FC/MC/PC43C	1175	33.8	24.5	14.25	12.25
TCHD36S4(3,4)S3	TM9E080C16MP11	21.0	FC/MC/PC48C	1150	34.0	24.7	14.50	12.35
TCHD36S4(3,4)S3	TM9E080C16MP11	21.0	FC/MC/PC48D	1175	34.0	24.7	14.25	12.00
TCHD36S4(3,4)S3	TM9E080C16MP11	21.0	UC48C	1150	33.6	24.9	13.75	12.00
TCHD36S4(3,4)S3	TM9E080C16MP11	21.0	UC48D	1175	33.6	24.9	13.75	12.00
TCHD36S4(3,4)S3	TM9E100C16MP11	21.0	FC/MC/PC35C	1150	33.4	24.1	14.00	11.75
TCHD36S4(3,4)S3	TM9E100C16MP11	21.0	FC/MC/PC43C	1175	33.8	24.5	14.25	12.25
TCHD36S4(3,4)S3	TM9E100C16MP11	21.0	FC/MC/PC48C	1150	34.0	24.7	14.50	12.35
TCHD36S4(3,4)S3	TM9E100C16MP11	21.0	FC/MC/PC48D	1175	34.0	24.7	14.25	12.00
TCHD36S4(3,4)S3	TM9E100C16MP11	21.0	UC48C	1150	33.6	24.9	13.75	12.00
TCHD36S4(3,4)S3	TM9E100C16MP11	21.0	UC48D	1175	33.6	24.9	13.75	12.00
TCHD36S4(3,4)S3	TM9E100C20MP11	21.0	FC/MC/PC35C	1150	33.4	24.1	14.00	12.00
TCHD36S4(3,4)S3	TM9E100C20MP11	21.0	FC/MC/PC43C	1150	33.8	24.5	14.55	12.25
TCHD36S4(3,4)S3	TM9E100C20MP11	21.0	FC/MC/PC48C	1150	34.0	24.7	14.55	12.40
TCHD36S4(3,4)S3	TM9E100C20MP11	21.0	FC/MC/PC48D	1175	34.0	24.9	14.50	12.25
TCHD36S4(3,4)S3	TM9E100C20MP11	21.0	UC48C	1150	33.6	24.9	14.00	12.00
TCHD36S4(3,4)S3	TM9E100C20MP11	21.0	UC48D	1175	33.6	24.9	14.00	12.00
TCHD36S4(3,4)S3	TM9E120D20MP11	24.5	FC/MC/PC48D	1175	34.0	24.9	14.75	12.50
TCHD36S4(3,4)S3	TM9E120D20MP11	24.5	UC48D	1175	33.8	24.9	14.00	12.00
TCHD36S4(3,4)S3	TM9X060B12MP11	17.5	FC/MC/PC35B	1125	33.2	23.9	13.75	11.50
TCHD36S4(3,4)S3	TM9X060B12MP11	17.5	FC/MC/PC43B	1125	33.6	24.3	14.00	11.95
TCHD36S4(3,4)S3	TM9X080B12MP11	17.5	FC/MC/PC35B	1125	33.2	23.9	13.75	11.50
TCHD36S4(3,4)S3	TM9X080B12MP11	17.5	FC/MC/PC43B	1125	33.6	24.3	14.00	11.95
TCHD36S4(3,4)S3	TM9X080C16MP11	21.0	FC/MC/PC35C	1150	33.4	24.1	14.00	11.75
TCHD36S4(3,4)S3	TM9X080C16MP11	21.0	FC/MC/PC43C	1175	33.8	24.5	14.25	12.25
TCHD36S4(3,4)S3	TM9X080C16MP11	21.0	FC/MC/PC48C	1150	34.0	24.7	14.50	12.35

COOLING CAPACITY - With High Efficiency Motor Furnaces (Continued)

UNIT MODEL	FURNACE		COIL MODEL ¹	COOLING				
	MODEL	WIDTH		RATED CFM	Net MBH		SEER	EER
					TOTAL	SENS.		
TCHD36S4(3,4)S3	TM9X080C16MP11	21.0	FC/MC/PC48D	1175	34.0	24.7	14.25	12.00
TCHD36S4(3,4)S3	TM9X080C16MP11	21.0	UC48C	1150	33.6	24.9	13.75	12.00
TCHD36S4(3,4)S3	TM9X080C16MP11	21.0	UC48D	1175	33.6	24.9	13.75	12.00
TCHD36S4(3,4)S3	TM9X100C16MP11	21.0	FC/MC/PC35C	1150	33.4	24.1	14.00	11.75
TCHD36S4(3,4)S3	TM9X100C16MP11	21.0	FC/MC/PC43C	1175	33.8	24.5	14.25	12.25
TCHD36S4(3,4)S3	TM9X100C16MP11	21.0	FC/MC/PC48C	1150	34.0	24.7	14.50	12.35
TCHD36S4(3,4)S3	TM9X100C16MP11	21.0	FC/MC/PC48D	1175	34.0	24.7	14.25	12.00
TCHD36S4(3,4)S3	TM9X100C16MP11	21.0	UC48C	1150	33.6	24.9	13.75	12.00
TCHD36S4(3,4)S3	TM9X100C16MP11	21.0	UC48D	1175	33.6	24.9	13.75	12.00
TCHD36S4(3,4)S3	TM9X100C20MP11	21.0	FC/MC/PC35C	1150	33.4	24.1	14.00	12.00
TCHD36S4(3,4)S3	TM9X100C20MP11	21.0	FC/MC/PC43C	1150	33.8	24.5	14.55	12.25
TCHD36S4(3,4)S3	TM9X100C20MP11	21.0	FC/MC/PC48C	1150	34.0	24.7	14.55	12.40
TCHD36S4(3,4)S3	TM9X100C20MP11	21.0	FC/MC/PC48D	1175	34.0	24.9	14.50	12.25
TCHD36S4(3,4)S3	TM9X100C20MP11	21.0	UC48C	1150	33.6	24.9	14.00	12.00
TCHD36S4(3,4)S3	TM9X100C20MP11	21.0	UC48D	1175	33.6	24.9	14.00	12.00
TCHD36S4(3,4)S3	TM9X120D20MP11	24.5	FC/MC/PC48D	1175	34.0	24.9	14.75	12.50
TCHD36S4(3,4)S3	TM9X120D20MP11	24.5	UC48D	1175	33.8	24.9	14.00	12.00
TCHD36S4(3,4)S3	TMLX060A12MP11	14.5	FC/MC/PC37A	1125	33.6	24.3	13.95	11.90
TCHD36S4(3,4)S3	TMLX080B12MP11	17.5	FC/MC/PC35B	1150	33.2	23.9	13.75	11.50
TCHD36S4(3,4)S3	TMLX080B12MP11	17.5	FC/MC/PC43B	1175	33.6	24.3	14.00	11.95
TCHD36S4(3,4)S3	TMLX080C16MP11	21.0	FC/MC/PC35C	1125	33.6	24.1	14.25	12.00
TCHD36S4(3,4)S3	TMLX080C16MP11	21.0	FC/MC/PC43C	1150	33.8	24.5	14.75	12.50
TCHD36S4(3,4)S3	TMLX080C16MP11	21.0	FC/MC/PC48C	1150	34.0	24.9	14.85	12.60
TCHD36S4(3,4)S3	TMLX080C16MP11	21.0	FC/MC/PC48D	1175	34.0	24.9	14.50	12.25
TCHD36S4(3,4)S3	TMLX080C16MP11	21.0	UC48C	1150	33.8	24.9	14.25	12.00
TCHD36S4(3,4)S3	TMLX080C16MP11	21.0	UC48D	1175	33.8	24.9	14.25	12.25
TCHD36S4(3,4)S3	TMLX100C16MP11	21.0	FC/MC/PC35C	1125	33.6	24.1	14.25	12.00
TCHD36S4(3,4)S3	TMLX100C16MP11	21.0	FC/MC/PC43C	1150	33.8	24.5	14.75	12.50
TCHD36S4(3,4)S3	TMLX100C16MP11	21.0	FC/MC/PC48C	1150	34.0	24.9	14.85	12.60
TCHD36S4(3,4)S3	TMLX100C16MP11	21.0	FC/MC/PC48D	1175	34.0	24.9	14.50	12.25
TCHD36S4(3,4)S3	TMLX100C16MP11	21.0	UC48C	1150	33.8	24.9	14.25	12.00
TCHD36S4(3,4)S3	TMLX100C16MP11	21.0	UC48D	1175	33.8	24.9	14.25	12.25
TCHD36S4(3,4)S3	TMLX100C20MP11	21.0	FC/MC/PC35C	1200	33.6	24.9	14.00	12.00
TCHD36S4(3,4)S3	TMLX100C20MP11	21.0	FC/MC/PC43C	1200	34.4	25.3	14.65	12.50
TCHD36S4(3,4)S3	TMLX100C20MP11	21.0	FC/MC/PC48C	1200	34.6	25.7	14.85	12.65
TCHD36S4(3,4)S3	TMLX100C20MP11	21.0	FC/MC/PC48D	1200	34.6	25.7	14.50	12.25
TCHD36S4(3,4)S3	TMLX100C20MP11	21.0	UC48C	1200	33.6	24.9	14.00	12.00
TCHD36S4(3,4)S3	TMLX100C20MP11	21.0	UC48D	1200	33.6	24.9	14.00	12.00
TCHD36S4(3,4)S3	TMLX120C20MP11	21.0	FC/MC/PC35C	1200	33.6	24.9	14.00	12.00
TCHD36S4(3,4)S3	TMLX120C20MP11	21.0	FC/MC/PC43C	1200	34.4	25.3	14.65	12.50
TCHD36S4(3,4)S3	TMLX120C20MP11	21.0	FC/MC/PC48C	1200	34.6	25.7	14.85	12.65
TCHD36S4(3,4)S3	TMLX120C20MP11	21.0	FC/MC/PC48D	1200	34.6	25.7	14.50	12.25
TCHD36S4(3,4)S3	TMLX120C20MP11	21.0	UC48C	1200	33.6	24.9	14.00	12.00
TCHD36S4(3,4)S3	TMLX120C20MP11	21.0	UC48D	1200	33.6	24.9	14.00	12.00
TCHD36S4(3,4)S3	C*(8,L)*A12	14.5	FC/MC/PC37A	980	33.0	23.0	13.95	12.00
TCHD36S4(3,4)S3	C*(8,L)*B12	17.5	FC/MC/PC43B	1210	34.2	25.2	13.95	12.00
TCHD36S4(3,4)S3	C*(8,L)*B12	17.5	HD48	1210	34.6	25.2	14.50	12.45
TCHD36S4(3,4)S3	C*(8,L)*C16	21.0	FC/MC/PC43C	1205	34.4	25.4	14.60	12.50
TCHD36S4(3,4)S3	C*(8,L)*C16	21.0	FC/MC/PC48C	1210	35.0	26.0	15.10	13.00
TCHD36S4(3,4)S3	C*(8,L)*C16	21.0	HD48	1210	34.8	25.4	15.00	13.00
TCHD36S4(3,4)S3	C*(8,L)*C16	21.0	UC48C	1210	33.6	24.8	14.55	12.45
TCHD36S4(3,4)S3	C*(8,L)*C20	21.0	FC/MC/PC43C	1190	34.6	25.4	14.80	12.50
TCHD36S4(3,4)S3	C*(8,L)*C20	21.0	FC/MC/PC48C	1155	35.2	26.0	15.35	13.10

COOLING CAPACITY - With High Efficiency Motor Furnaces (Continued)

UNIT MODEL	FURNACE		COIL MODEL ¹	COOLING				
	MODEL	WIDTH		RATED CFM	Net MBH		SEER	EER
					TOTAL	SENS.		
TCHD36S4(3,4)S3	C*(8,L)*C*20	21.0	HD48	1155	34.8	25.4	15.20	13.05
TCHD36S4(3,4)S3	C*(8,L)*C*20	21.0	UC48C	1155	33.6	24.8	14.75	12.60
TCHD36S4(3,4)S3	C*9C*B12	17.5	FC/MC/PC43B	1200	34.2	25.2	14.00	12.10
TCHD36S4(3,4)S3	C*9C*B12	17.5	HD48	1150	34.4	25.2	14.25	12.35
TCHD36S4(3,4)S3	C*9C*C16	21.0	FC/MC/PC43C	1240	34.2	25.2	14.20	12.25
TCHD36S4(3,4)S3	C*9C*C16	21.0	FC/MC/PC48C	1195	35.0	25.8	14.85	12.80
TCHD36S4(3,4)S3	C*9C*C16	21.0	HD48	1195	34.6	25.2	14.70	12.70
TCHD36S4(3,4)S3	C*9C*C16	21.0	UC48C	1195	33.4	24.6	14.25	12.25
TCHD36S4(3,4)S3	C*9C*C20	21.0	FC/MC/PC43C	1200	34.4	25.4	14.65	12.60
TCHD36S4(3,4)S3	C*9C*C20	21.0	FC/MC/PC48C	1315	35.2	26.8	14.55	12.55
TCHD36S4(3,4)S3	C*9C*C20	21.0	HD48	1300	34.8	26.2	14.35	12.40
TCHD36S4(3,4)S3	C*9C*C20	21.0	UC48C	1265	33.8	25.4	14.00	12.00
TCHD36S4(3,4)S3	C*9C*D20	24.5	FC/MC/PC48D	1240	35.2	26.2	15.00	13.00
TCHD36S4(3,4)S3	C*9C*D20	24.5	HD48	1225	34.8	25.6	15.00	12.85
TCHD36S4(3,4)S3	C*9C*D20	24.5	UC48D	1240	33.4	24.6	14.35	12.30
TCHD48S4(3,4)S3	TM8E080C16MP11	21.0	CF/CM/CU60C	1575	48.0	37.2	13.50	11.00
TCHD48S4(3,4)S3	TM8E080C16MP11	21.0	CF/CM/CU60D	1600	48.0	37.4	13.50	11.00
TCHD48S4(3,4)S3	TM8E080C16MP11	21.0	CF/CM64D	1575	48.0	38.5	13.75	11.25
TCHD48S4(3,4)S3	TM8E080C20MP11	21.0	CF/CM/CU48D	1475	48.0	36.9	14.25	11.50
TCHD48S4(3,4)S3	TM8E080C20MP11	21.0	CF/CM/CU60C	1550	48.0	37.0	13.75	11.25
TCHD48S4(3,4)S3	TM8E080C20MP11	21.0	CF/CM64D	1575	48.0	38.9	14.25	11.50
TCHD48S4(3,4)S3	TM8E100C16MP11	21.0	CF/CM/CU60C	1575	48.0	37.2	13.50	11.00
TCHD48S4(3,4)S3	TM8E100C16MP11	21.0	CF/CM/CU60D	1600	48.0	37.4	13.50	11.00
TCHD48S4(3,4)S3	TM8E100C16MP11	21.0	CF/CM64D	1575	48.0	38.5	13.75	11.25
TCHD48S4(3,4)S3	TM8E100C20MP11	21.0	CF/CM/CU48D	1450	48.0	36.6	14.25	11.50
TCHD48S4(3,4)S3	TM8E100C20MP11	21.0	CF/CM/CU60C	1500	48.0	36.4	13.75	11.25
TCHD48S4(3,4)S3	TM8E100C20MP11	21.0	CF/CM64D	1525	48.0	38.1	14.25	11.50
TCHD48S4(3,4)S3	TM8E120C16MP11	21.0	CF/CM/CU60C	1575	48.0	37.2	13.50	11.00
TCHD48S4(3,4)S3	TM8E120C16MP11	21.0	CF/CM64D	1575	48.0	38.5	14.00	11.25
TCHD48S4(3,4)S3	TM8E120C20MP11	21.0	CF/CM/CU48D	1525	48.0	37.2	14.00	11.50
TCHD48S4(3,4)S3	TM8E120C20MP11	21.0	CF/CM/CU60C	1425	48.0	35.7	14.00	11.50
TCHD48S4(3,4)S3	TM8E120C20MP11	21.0	CF/CM64D	1525	48.0	38.1	14.25	11.75
TCHD48S4(3,4)S3	TM8E130D20MP11	24.5	CF/CM/CU48D	1425	48.0	36.3	14.25	11.50
TCHD48S4(3,4)S3	TM8E130D20MP11	24.5	CF/CM/CU60D	1450	48.0	35.9	14.25	11.50
TCHD48S4(3,4)S3	TM8E130D20MP11	24.5	CF/CM64D	1425	48.0	37.1	14.50	11.75
TCHD48S4(3,4)S3	TM8V080C16MP12C	21.0	CF/CM/CU48D	1425	48.0	35.9	13.75	11.25
TCHD48S4(3,4)S3	TM8V080C16MP12C	21.0	CF/CM/CU60C	1425	48.0	35.7	13.75	11.25
TCHD48S4(3,4)S3	TM8V080C16MP12C	21.0	CF/CM/CU60D	1425	48.0	35.7	13.75	11.25
TCHD48S4(3,4)S3	TM8V080C16MP12C	21.0	CF/CM64D	1425	48.0	36.6	14.00	11.50
TCHD48S4(3,4)S3	TM8V100C16MP12C	21.0	CF/CM/CU48D	1425	48.0	35.9	13.75	11.25
TCHD48S4(3,4)S3	TM8V100C16MP12C	21.0	CF/CM/CU60C	1425	48.0	35.7	13.75	11.25
TCHD48S4(3,4)S3	TM8V100C16MP12C	21.0	CF/CM/CU60D	1425	48.0	35.7	13.75	11.25
TCHD48S4(3,4)S3	TM8V100C16MP12C	21.0	CF/CM64D	1425	48.0	36.6	14.00	11.50
TCHD48S4(3,4)S3	TM8V100C20MP12C	21.0	CF/CM/CU48D	1475	48.0	36.4	14.00	11.50
TCHD48S4(3,4)S3	TM8V100C20MP12C	21.0	CF/CM/CU60C	1550	48.0	37.0	13.75	11.25
TCHD48S4(3,4)S3	TM8V100C20MP12C	21.0	CF/CM64D	1550	48.0	38.1	14.25	11.50
TCHD48S4(3,4)S3	TM8V120C20MP12C	21.0	CF/CM/CU48D	1475	48.0	36.4	14.00	11.50
TCHD48S4(3,4)S3	TM8V120C20MP12C	21.0	CF/CM/CU60C	1550	48.0	37.0	13.75	11.25
TCHD48S4(3,4)S3	TM8V120C20MP12C	21.0	CF/CM64D	1550	48.0	38.1	14.25	11.50
TCHD48S4(3,4)S3	TM8X080C16MP11	21.0	CF/CM/CU60C	1525	48.0	36.3	13.50	11.00
TCHD48S4(3,4)S3	TM8X080C16MP11	21.0	CF/CM64D	1525	48.0	38.2	13.75	11.25
TCHD48S4(3,4)S3	TM8X100C16MP11	21.0	CF/CM/CU60C	1525	48.0	36.3	13.50	11.00
TCHD48S4(3,4)S3	TM8X100C16MP11	21.0	CF/CM64D	1525	48.0	38.2	13.75	11.25

COOLING CAPACITY - With High Efficiency Motor Furnaces (Continued)

UNIT MODEL	FURNACE		COIL MODEL ¹	COOLING				
	MODEL	WIDTH		RATED CFM	Net MBH		SEER	EER
					TOTAL	SENS.		
TCHD48S4(3,4)S3	TM8X100C20MP11	21.0	CF/CM/CU48D	1400	48.0	35.6	14.25	11.50
TCHD48S4(3,4)S3	TM8X100C20MP11	21.0	CF/CM/CU60C	1550	48.0	37.0	13.75	11.25
TCHD48S4(3,4)S3	TM8X100C20MP11	21.0	CF/CM64D	1550	48.0	38.1	14.25	11.50
TCHD48S4(3,4)S3	TM8X120C20MP11	21.0	CF/CM/CU48D	1400	48.0	35.6	14.25	11.50
TCHD48S4(3,4)S3	TM8X120C20MP11	21.0	CF/CM/CU60C	1550	48.0	37.0	13.75	11.25
TCHD48S4(3,4)S3	TM8X120C20MP11	21.0	CF/CM64D	1550	48.0	38.1	14.25	11.50
TCHD48S4(3,4)S3	TM8Y080C16MP11	21.0	CF/CM/CU60C	1525	48.0	36.3	13.50	11.00
TCHD48S4(3,4)S3	TM8Y080C16MP11	21.0	CF/CM64D	1525	48.0	38.2	13.75	11.25
TCHD48S4(3,4)S3	TM8Y100C16MP11	21.0	CF/CM/CU60C	1525	48.0	36.3	13.50	11.00
TCHD48S4(3,4)S3	TM8Y100C16MP11	21.0	CF/CM64D	1525	48.0	38.2	13.75	11.25
TCHD48S4(3,4)S3	TM8Y100C20MP11	21.0	CF/CM/CU48D	1400	48.0	35.6	14.25	11.50
TCHD48S4(3,4)S3	TM8Y100C20MP11	21.0	CF/CM/CU60C	1550	48.0	37.0	13.75	11.25
TCHD48S4(3,4)S3	TM8Y100C20MP11	21.0	CF/CM64D	1550	48.0	38.1	14.25	11.50
TCHD48S4(3,4)S3	TM8Y120C20MP11	21.0	CF/CM/CU48D	1400	48.0	35.6	14.25	11.50
TCHD48S4(3,4)S3	TM8Y120C20MP11	21.0	CF/CM/CU60C	1550	48.0	37.0	13.75	11.25
TCHD48S4(3,4)S3	TM8Y120C20MP11	21.0	CF/CM64D	1550	48.0	38.1	14.25	11.50
TCHD48S4(3,4)S3	TM9E080C16MP11	21.0	CF/CM/CU48D	1400	48.0	35.2	13.50	11.00
TCHD48S4(3,4)S3	TM9E080C16MP11	21.0	CF/CM/CU60D	1400	48.0	35.1	13.50	11.00
TCHD48S4(3,4)S3	TM9E080C16MP11	21.0	CF/CM64D	1400	48.0	36.6	13.75	11.25
TCHD48S4(3,4)S3	TM9E080C20MP12C	21.0	CF/CM/CU48D	1525	48.0	37.2	14.00	11.50
TCHD48S4(3,4)S3	TM9E080C20MP12C	21.0	CF/CM/CU60C	1500	48.0	36.4	14.00	11.25
TCHD48S4(3,4)S3	TM9E080C20MP12C	21.0	CF/CM64D	1500	48.0	37.8	14.25	11.50
TCHD48S4(3,4)S3	TM9E100C16MP11	21.0	CF/CM/CU48D	1400	48.0	35.7	13.75	11.25
TCHD48S4(3,4)S3	TM9E100C16MP11	21.0	CF/CM/CU60C	1400	48.0	35.0	13.50	11.00
TCHD48S4(3,4)S3	TM9E100C16MP11	21.0	CF/CM64D	1400	48.0	36.5	14.00	11.50
TCHD48S4(3,4)S3	TM9E100C16MP12C	21.0	CF/CM/CU60D	1600	48.0	37.4	13.25	11.00
TCHD48S4(3,4)S3	TM9E100C20MP11	21.0	CF/CM/CU60D	1550	48.0	37.0	13.50	11.00
TCHD48S4(3,4)S3	TM9E100C20MP12C	21.0	CF/CM/CU48D	1425	48.0	36.3	14.25	11.50
TCHD48S4(3,4)S3	TM9E100C20MP12C	21.0	CF/CM/CU60C	1400	48.0	35.4	14.00	11.50
TCHD48S4(3,4)S3	TM9E100C20MP12C	21.0	CF/CM64D	1525	48.0	38.1	14.25	11.75
TCHD48S4(3,4)S3	TM9E120D20MP11	24.5	CF/CM/CU48D	1400	48.0	35.6	14.25	11.50
TCHD48S4(3,4)S3	TM9E120D20MP11	24.5	CF/CM64D	1575	48.0	38.5	14.00	11.50
TCHD48S4(3,4)S3	TM9E120D20MP12C	24.5	CF/CM/CU48D	1450	48.0	36.6	14.00	11.50
TCHD48S4(3,4)S3	TM9E120D20MP12C	24.5	CF/CM64D	1600	48.0	38.5	14.00	11.25
TCHD48S4(3,4)S3	TM9V080C16MP12C	21.0	CF/CM/CU48D	1525	48.0	36.8	13.25	11.00
TCHD48S4(3,4)S3	TM9V080C16MP12C	21.0	CF/CM/CU60C	1475	48.0	35.7	13.25	11.00
TCHD48S4(3,4)S3	TM9V080C16MP12C	21.0	CF/CM64D	1475	48.0	37.1	13.75	11.25
TCHD48S4(3,4)S3	TM9V100C16MP12C	21.0	CF/CM/CU48D	1475	48.0	36.5	13.75	11.25
TCHD48S4(3,4)S3	TM9V100C16MP12C	21.0	CF/CM/CU60C	1600	48.0	37.4	13.25	11.00
TCHD48S4(3,4)S3	TM9V100C16MP12C	21.0	CF/CM/CU60D	1600	48.0	37.4	13.50	11.00
TCHD48S4(3,4)S3	TM9V100C16MP12C	21.0	CF/CM64D	1475	48.0	37.6	14.00	11.50
TCHD48S4(3,4)S3	TM9V100C20MP12C	21.0	CF/CM/CU48D	1475	48.0	36.5	13.75	11.25
TCHD48S4(3,4)S3	TM9V100C20MP12C	21.0	CF/CM/CU60C	1600	48.0	37.4	13.50	11.00
TCHD48S4(3,4)S3	TM9V100C20MP12C	21.0	CF/CM/CU60D	1575	48.0	37.1	13.50	11.00
TCHD48S4(3,4)S3	TM9V100C20MP12C	21.0	CF/CM64D	1600	48.0	38.6	13.75	11.25
TCHD48S4(3,4)S3	TM9V120D20MP12C	24.5	CF/CM/CU48D	1400	48.0	35.6	14.25	11.50
TCHD48S4(3,4)S3	TM9V120D20MP12C	24.5	CF/CM64D	1575	48.0	38.9	14.25	11.50
TCHD48S4(3,4)S3	TM9Y080C16MP11	21.0	CF/CM/CU48D	1400	48.0	35.2	13.50	11.00
TCHD48S4(3,4)S3	TM9Y080C16MP11	21.0	CF/CM/CU60D	1400	48.0	35.1	13.50	11.00
TCHD48S4(3,4)S3	TM9Y080C16MP11	21.0	CF/CM64D	1400	48.0	36.6	13.75	11.25
TCHD48S4(3,4)S3	TM9Y100C16MP11	21.0	CF/CM/CU48D	1400	48.0	35.7	13.75	11.25
TCHD48S4(3,4)S3	TM9Y100C16MP11	21.0	CF/CM/CU60C	1400	48.0	35.0	13.50	11.00
TCHD48S4(3,4)S3	TM9Y100C16MP11	21.0	CF/CM64D	1400	48.0	36.5	14.00	11.50

COOLING CAPACITY - With High Efficiency Motor Furnaces (Continued)

UNIT MODEL	FURNACE		COIL MODEL ¹	COOLING				
	MODEL	WIDTH		RATED CFM	Net MBH		SEER	EER
					TOTAL	SENS.		
TCHD48S4(3,4)S3	TM9Y100C20MP11	21.0	CF/CM/CU60D	1550	48.0	37.0	13.50	11.00
TCHD48S4(3,4)S3	TM9Y120D20MP11	24.5	CF/CM/CU48D	1400	48.0	35.6	14.25	11.50
TCHD48S4(3,4)S3	TM9Y120D20MP11	24.5	CF/CM64D	1575	48.0	38.5	14.00	11.50
TCHD48S4(3,4)S3	TMLE080C16MP11	21.0	CF/CM/CU60C	1575	48.0	37.2	13.50	11.00
TCHD48S4(3,4)S3	TMLE080C16MP11	21.0	CF/CM/CU60D	1600	48.0	37.4	13.50	11.00
TCHD48S4(3,4)S3	TMLE080C16MP11	21.0	CF/CM64D	1575	48.0	38.5	13.75	11.25
TCHD48S4(3,4)S3	TMLE080C20MP11	21.0	CF/CM/CU48D	1475	48.0	36.9	14.25	11.50
TCHD48S4(3,4)S3	TMLE080C20MP11	21.0	CF/CM/CU60C	1550	48.0	37.0	13.75	11.25
TCHD48S4(3,4)S3	TMLE080C20MP11	21.0	CF/CM64D	1575	48.0	38.9	14.25	11.50
TCHD48S4(3,4)S3	TMLE100C16MP11	21.0	CF/CM/CU60C	1575	48.0	37.2	13.50	11.00
TCHD48S4(3,4)S3	TMLE100C16MP11	21.0	CF/CM/CU60D	1600	48.0	37.4	13.50	11.00
TCHD48S4(3,4)S3	TMLE100C16MP11	21.0	CF/CM64D	1575	48.0	38.5	13.75	11.25
TCHD48S4(3,4)S3	TMLE100C20MP11	21.0	CF/CM/CU48D	1450	48.0	36.6	14.25	11.50
TCHD48S4(3,4)S3	TMLE100C20MP11	21.0	CF/CM/CU60C	1500	48.0	36.4	13.75	11.25
TCHD48S4(3,4)S3	TMLE100C20MP11	21.0	CF/CM64D	1525	48.0	38.1	14.25	11.50
TCHD48S4(3,4)S3	TMLE120C16MP11	21.0	CF/CM/CU60C	1575	48.0	37.2	13.50	11.00
TCHD48S4(3,4)S3	TMLE120C16MP11	21.0	CF/CM64D	1575	48.0	38.5	14.00	11.25
TCHD48S4(3,4)S3	TMLE120C20MP11	21.0	CF/CM/CU48D	1525	48.0	37.2	14.00	11.50
TCHD48S4(3,4)S3	TMLE120C20MP11	21.0	CF/CM/CU60C	1425	48.0	35.7	14.00	11.50
TCHD48S4(3,4)S3	TMLE120C20MP11	21.0	CF/CM64D	1525	48.0	38.1	14.25	11.75
TCHD48S4(3,4)S3	TMLE130D20MP11	24.5	CF/CM/CU48D	1425	48.0	36.3	14.25	11.50
TCHD48S4(3,4)S3	TMLE130D20MP11	24.5	CF/CM/CU60D	1450	48.0	35.9	14.25	11.50
TCHD48S4(3,4)S3	TMLE130D20MP11	24.5	CF/CM64D	1425	48.0	37.1	14.50	11.75
TCHD48S4(3,4)S3	TMLV080C16MP12C	21.0	CF/CM/CU48D	1425	48.0	35.9	13.75	11.25
TCHD48S4(3,4)S3	TMLV080C16MP12C	21.0	CF/CM/CU60C	1425	48.0	35.7	13.75	11.25
TCHD48S4(3,4)S3	TMLV080C16MP12C	21.0	CF/CM/CU60D	1425	48.0	35.7	13.75	11.25
TCHD48S4(3,4)S3	TMLV080C16MP12C	21.0	CF/CM64D	1425	48.0	36.6	14.00	11.50
TCHD48S4(3,4)S3	TMLV100C16MP12C	21.0	CF/CM/CU48D	1425	48.0	35.9	13.75	11.25
TCHD48S4(3,4)S3	TMLV100C16MP12C	21.0	CF/CM/CU60C	1425	48.0	35.7	13.75	11.25
TCHD48S4(3,4)S3	TMLV100C16MP12C	21.0	CF/CM/CU60D	1425	48.0	35.7	13.75	11.25
TCHD48S4(3,4)S3	TMLV100C16MP12C	21.0	CF/CM64D	1425	48.0	36.6	14.00	11.50
TCHD48S4(3,4)S3	TMLV100C20MP12C	21.0	CF/CM/CU48D	1475	48.0	36.4	14.00	11.50
TCHD48S4(3,4)S3	TMLV100C20MP12C	21.0	CF/CM/CU60C	1550	48.0	37.0	13.75	11.25
TCHD48S4(3,4)S3	TMLV100C20MP12C	21.0	CF/CM64D	1550	48.0	38.1	14.25	11.50
TCHD48S4(3,4)S3	TMLV120C20MP12C	21.0	CF/CM/CU48D	1475	48.0	36.4	14.00	11.50
TCHD48S4(3,4)S3	TMLV120C20MP12C	21.0	CF/CM/CU60C	1550	48.0	37.0	13.75	11.25
TCHD48S4(3,4)S3	TMLV120C20MP12C	21.0	CF/CM64D	1550	48.0	38.1	14.25	11.50
TCHD48S4(3,4)S3	TMLX080C16MP11	21.0	CF/CM/CU60C	1525	48.0	36.3	13.50	11.00
TCHD48S4(3,4)S3	TMLX080C16MP11	21.0	CF/CM64D	1525	48.0	38.2	13.75	11.25
TCHD48S4(3,4)S3	TMLX100C16MP11	21.0	CF/CM/CU60C	1525	48.0	36.3	13.50	11.00
TCHD48S4(3,4)S3	TMLX100C16MP11	21.0	CF/CM64D	1525	48.0	38.2	13.75	11.25
TCHD48S4(3,4)S3	TMLX100C20MP11	21.0	CF/CM/CU48D	1400	48.0	35.6	14.25	11.50
TCHD48S4(3,4)S3	TMLX100C20MP11	21.0	CF/CM/CU60C	1550	48.0	37.0	13.75	11.25
TCHD48S4(3,4)S3	TMLX100C20MP11	21.0	CF/CM64D	1550	48.0	38.1	14.25	11.50
TCHD48S4(3,4)S3	TMLX120C20MP11	21.0	CF/CM/CU48D	1400	48.0	35.6	14.25	11.50
TCHD48S4(3,4)S3	TMLX120C20MP11	21.0	CF/CM/CU60C	1550	48.0	37.0	13.75	11.25
TCHD48S4(3,4)S3	TMLX120C20MP11	21.0	CF/CM64D	1550	48.0	38.1	14.25	11.50
TCHD48S4(3,4)S3	TP9C080C16MP13C	21.0	CF/CM/CU48D	1525	48.0	36.8	13.25	11.00
TCHD48S4(3,4)S3	TP9C080C16MP13C	21.0	CF/CM/CU60C	1475	48.0	35.7	13.25	11.00
TCHD48S4(3,4)S3	TP9C080C16MP13C	21.0	CF/CM64D	1475	48.0	37.1	13.75	11.25
TCHD48S4(3,4)S3	TP9C100C16MP13C	21.0	CF/CM/CU48D	1475	48.0	36.5	13.75	11.25
TCHD48S4(3,4)S3	TP9C100C16MP13C	21.0	CF/CM/CU60C	1600	48.0	37.4	13.25	11.00
TCHD48S4(3,4)S3	TP9C100C16MP13C	21.0	CF/CM/CU60D	1600	48.0	37.4	13.50	11.00

COOLING CAPACITY - With High Efficiency Motor Furnaces (Continued)

UNIT MODEL	FURNACE		COIL MODEL ¹	COOLING				
	MODEL	WIDTH		RATED CFM	Net MBH		SEER	EER
					TOTAL	SENS.		
TCHD48S4(3,4)S3	TP9C100C16MP13C	21.0	CF/CM64D	1475	48.0	37.6	14.00	11.50
TCHD48S4(3,4)S3	TP9C100C20MP13C	21.0	CF/CM/CU48D	1475	48.0	36.5	13.75	11.25
TCHD48S4(3,4)S3	TP9C100C20MP13C	21.0	CF/CM/CU60C	1600	48.0	37.4	13.50	11.00
TCHD48S4(3,4)S3	TP9C100C20MP13C	21.0	CF/CM/CU60D	1575	48.0	37.1	13.50	11.00
TCHD48S4(3,4)S3	TP9C100C20MP13C	21.0	CF/CM64D	1600	48.0	38.6	13.75	11.25
TCHD48S4(3,4)S3	TP9C120D20MP13C	24.5	CF/CM/CU48D	1400	48.0	35.6	14.25	11.50
TCHD48S4(3,4)S3	TP9C120D20MP13C	24.5	CF/CM64D	1575	48.0	38.9	14.25	11.50
TCHD48S4(3,4)S3	TPLC080C16MP13C	21.0	CF/CM/CU48D	1425	48.0	35.9	13.75	11.25
TCHD48S4(3,4)S3	TPLC080C16MP13C	21.0	CF/CM/CU60C	1425	48.0	35.7	13.75	11.25
TCHD48S4(3,4)S3	TPLC080C16MP13C	21.0	CF/CM/CU60D	1425	48.0	35.7	13.75	11.25
TCHD48S4(3,4)S3	TPLC080C16MP13C	21.0	CF/CM64D	1425	48.0	36.6	14.00	11.50
TCHD48S4(3,4)S3	TPLC100C16MP13C	21.0	CF/CM/CU48D	1425	48.0	35.9	13.75	11.25
TCHD48S4(3,4)S3	TPLC100C16MP13C	21.0	CF/CM/CU60C	1425	48.0	35.7	13.75	11.25
TCHD48S4(3,4)S3	TPLC100C16MP13C	21.0	CF/CM/CU60D	1425	48.0	35.7	13.75	11.25
TCHD48S4(3,4)S3	TPLC100C16MP13C	21.0	CF/CM64D	1425	48.0	36.6	14.00	11.50
TCHD48S4(3,4)S3	TPLC100C20MP13C	21.0	CF/CM/CU48D	1475	48.0	36.4	14.00	11.50
TCHD48S4(3,4)S3	TPLC100C20MP13C	21.0	CF/CM/CU60C	1550	48.0	37.0	13.75	11.25
TCHD48S4(3,4)S3	TPLC100C20MP13C	21.0	CF/CM64D	1550	48.0	38.1	14.25	11.50
TCHD48S4(3,4)S3	TPLC120C20MP13C	21.0	CF/CM/CU48D	1475	48.0	36.4	14.00	11.50
TCHD48S4(3,4)S3	TPLC120C20MP13C	21.0	CF/CM/CU60C	1550	48.0	37.0	13.75	11.25
TCHD48S4(3,4)S3	TPLC120C20MP13C	21.0	CF/CM64D	1550	48.0	38.1	14.25	11.50
TCHD48S4(3,4)S3	CP9C080C16MP13C	21.0	CF/CM/CU48D	1525	48.0	36.8	13.25	11.00
TCHD48S4(3,4)S3	CP9C080C16MP13C	21.0	CF/CM/CU60C	1475	48.0	35.7	13.25	11.00
TCHD48S4(3,4)S3	CP9C080C16MP13C	21.0	CF/CM64D	1475	48.0	37.1	13.75	11.25
TCHD48S4(3,4)S3	CP9C100C16MP13C	21.0	CF/CM/CU48D	1475	48.0	36.5	13.75	11.25
TCHD48S4(3,4)S3	CP9C100C16MP13C	21.0	CF/CM/CU60C	1600	48.0	37.4	13.25	11.00
TCHD48S4(3,4)S3	CP9C100C16MP13C	21.0	CF/CM/CU60D	1600	48.0	37.4	13.50	11.00
TCHD48S4(3,4)S3	CP9C100C16MP13C	21.0	CF/CM64D	1475	48.0	37.6	14.00	11.50
TCHD48S4(3,4)S3	CP9C100C20MP13C	21.0	CF/CM/CU48D	1475	48.0	36.5	13.75	11.25
TCHD48S4(3,4)S3	CP9C100C20MP13C	21.0	CF/CM/CU60C	1600	48.0	37.4	13.50	11.00
TCHD48S4(3,4)S3	CP9C100C20MP13C	21.0	CF/CM/CU60D	1575	48.0	37.1	13.50	11.00
TCHD48S4(3,4)S3	CP9C100C20MP13C	21.0	CF/CM64D	1600	48.0	38.6	13.75	11.25
TCHD48S4(3,4)S3	CP9C120D20MP13C	24.5	CF/CM/CU48D	1400	48.0	35.6	14.25	11.50
TCHD48S4(3,4)S3	CP9C120D20MP13C	24.5	CF/CM64D	1575	48.0	38.9	14.25	11.50
TCHD48S4(3,4)S3	CPLC080C16MP13C	21.0	CF/CM/CU48D	1425	48.0	35.9	13.75	11.25
TCHD48S4(3,4)S3	CPLC080C16MP13C	21.0	CF/CM/CU60C	1425	48.0	35.7	13.75	11.25
TCHD48S4(3,4)S3	CPLC080C16MP13C	21.0	CF/CM/CU60D	1425	48.0	35.7	13.75	11.25
TCHD48S4(3,4)S3	CPLC080C16MP13C	21.0	CF/CM64D	1425	48.0	36.6	14.00	11.50
TCHD48S4(3,4)S3	CPLC100C16MP13C	21.0	CF/CM/CU48D	1425	48.0	35.9	13.75	11.25
TCHD48S4(3,4)S3	CPLC100C16MP13C	21.0	CF/CM/CU60C	1425	48.0	35.7	13.75	11.25
TCHD48S4(3,4)S3	CPLC100C16MP13C	21.0	CF/CM/CU60D	1425	48.0	35.7	13.75	11.25
TCHD48S4(3,4)S3	CPLC100C16MP13C	21.0	CF/CM64D	1425	48.0	36.6	14.00	11.50
TCHD48S4(3,4)S3	CPLC100C20MP13C	21.0	CF/CM/CU48D	1475	48.0	36.4	14.00	11.50
TCHD48S4(3,4)S3	CPLC100C20MP13C	21.0	CF/CM/CU60C	1550	48.0	37.0	13.75	11.25
TCHD48S4(3,4)S3	CPLC100C20MP13C	21.0	CF/CM64D	1550	48.0	38.1	14.25	11.50
TCHD48S4(3,4)S3	CPLC120C20MP13C	21.0	CF/CM/CU48D	1475	48.0	36.4	14.00	11.50
TCHD48S4(3,4)S3	CPLC120C20MP13C	21.0	CF/CM/CU60C	1550	48.0	37.0	13.75	11.25
TCHD48S4(3,4)S3	CPLC120C20MP13C	21.0	CF/CM64D	1550	48.0	38.1	14.25	11.50
TCHD48S4(3,4)S3	T*(8,L)C*C16	21.0	FC/MC/PC48C	1615	47.0	34.2	13.25	11.50
TCHD48S4(3,4)S3	T*(8,L)C*C16	21.0	FC/PC60C	1625	46.5	33.7	13.25	11.50
TCHD48S4(3,4)S3	T*(8,L)C*C16	21.0	FC64D	1635	49.0	35.8	14.00	12.25
TCHD48S4(3,4)S3	T*(8,L)C*C16	21.0	HD48	1615	47.0	34.2	13.45	11.65
TCHD48S4(3,4)S3	T*(8,L)C*C16	21.0	HD60	1625	47.5	34.4	13.70	11.85

COOLING CAPACITY - With High Efficiency Motor Furnaces (Continued)

UNIT MODEL	FURNACE		COIL MODEL ¹	COOLING				
	MODEL	WIDTH		RATED CFM	Net MBH		SEER	EER
					TOTAL	SENS.		
TCHD48S4(3,4)S3	T*(8,L)C*C16	21.0	UC48C	1615	45.5	33.2	13.10	11.35
TCHD48S4(3,4)S3	T*(8,L)C*C16	21.0	UC60C	1625	46.0	32.8	13.30	11.50
TCHD48S4(3,4)S3	T*(8,L)C*C20	21.0	FC/MC/PC48C	1640	47.0	34.0	13.45	11.65
TCHD48S4(3,4)S3	T*(8,L)C*C20	21.0	FC/PC60C	1605	47.0	34.2	14.00	11.60
TCHD48S4(3,4)S3	T*(8,L)C*C20	21.0	FC64D	1630	49.0	35.8	14.25	12.25
TCHD48S4(3,4)S3	T*(8,L)C*C20	21.0	HD48	1640	47.0	34.2	13.45	11.65
TCHD48S4(3,4)S3	T*(8,L)C*C20	21.0	HD60	1605	47.5	34.6	14.00	12.05
TCHD48S4(3,4)S3	T*(8,L)C*C20	21.0	UC48C	1640	45.5	33.0	13.05	11.35
TCHD48S4(3,4)S3	T*(8,L)C*C20	21.0	UC60C	1605	46.0	33.0	13.55	11.70
TCHD48S4(3,4)S3	T*(8,L)V*C16	21.0	FC/MC/PC48C	1615	47.0	34.2	13.25	11.50
TCHD48S4(3,4)S3	T*(8,L)V*C16	21.0	FC/PC60C	1625	46.5	33.7	13.25	11.50
TCHD48S4(3,4)S3	T*(8,L)V*C16	21.0	FC64D	1635	49.0	35.8	14.00	12.25
TCHD48S4(3,4)S3	T*(8,L)V*C16	21.0	HD60	1625	47.5	34.4	13.70	11.85
TCHD48S4(3,4)S3	T*(8,L)V*C16	21.0	UC48C	1615	45.5	33.2	13.10	11.35
TCHD48S4(3,4)S3	T*(8,L)V*C16	21.0	UC60C	1625	46.0	32.8	13.30	11.50
TCHD48S4(3,4)S3	T*(8,L)V*C20	21.0	FC/MC/PC48C	1640	47.0	34.0	13.45	11.65
TCHD48S4(3,4)S3	T*(8,L)V*C20	21.0	FC/PC60C	1605	47.0	34.2	14.00	11.60
TCHD48S4(3,4)S3	T*(8,L)V*C20	21.0	FC64D	1630	49.0	35.8	14.25	12.25
TCHD48S4(3,4)S3	T*(8,L)V*C20	21.0	HD60	1605	47.5	34.6	14.00	12.05
TCHD48S4(3,4)S3	T*(8,L)V*C20	21.0	UC48C	1640	45.5	33.0	13.05	11.35
TCHD48S4(3,4)S3	T*(8,L)V*C20	21.0	UC60C	1605	46.0	33.0	13.55	11.70
TCHD48S4(3,4)S3	T*9(C,V)*C16	21.0	FC/MC/PC48C	1590	47.0	33.8	13.45	11.65
TCHD48S4(3,4)S3	T*9(C,V)*C16	21.0	FC/PC60C	1590	47.0	34.4	13.40	11.65
TCHD48S4(3,4)S3	T*9(C,V)*C16	21.0	FC64D	1590	49.0	35.6	14.00	12.00
TCHD48S4(3,4)S3	T*9(C,V)*C16	21.0	HD48	1590	47.0	34.2	13.35	11.60
TCHD48S4(3,4)S3	T*9(C,V)*C16	21.0	HD60	1590	47.0	34.2	13.50	11.65
TCHD48S4(3,4)S3	T*9(C,V)*C16	21.0	UC48C	1590	45.5	33.0	13.00	11.30
TCHD48S4(3,4)S3	T*9(C,V)*C16	21.0	UC60C	1590	45.5	32.8	13.05	11.30
TCHD48S4(3,4)S3	T*9(C,V)*C20	21.0	FC/MC/PC48C	1655	47.5	34.4	13.50	11.70
TCHD48S4(3,4)S3	T*9(C,V)*C20	21.0	FC/PC60C	1655	47.0	34.4	13.35	11.65
TCHD48S4(3,4)S3	T*9(C,V)*C20	21.0	FC64D	1655	49.0	35.6	13.75	11.75
TCHD48S4(3,4)S3	T*9(C,V)*C20	21.0	HD48	1655	47.0	34.2	13.35	11.60
TCHD48S4(3,4)S3	T*9(C,V)*C20	21.0	HD60	1655	47.0	34.2	13.50	11.65
TCHD48S4(3,4)S3	T*9(C,V)*C20	21.0	UC48C	1655	45.5	33.0	13.00	11.30
TCHD48S4(3,4)S3	T*9(C,V)*C20	21.0	UC60C	1655	45.5	32.8	13.05	11.30
TCHD48S4(3,4)S3	T*9(C,V)*D20	24.5	FC/MC/PC48D	1645	47.5	34.4	13.50	11.70
TCHD48S4(3,4)S3	T*9(C,V)*D20	24.5	FC/MC/PC60D	1615	47.0	34.4	13.50	11.75
TCHD48S4(3,4)S3	T*9(C,V)*D20	24.5	FC/MC62D	1630	47.5	34.6	13.65	11.85
TCHD48S4(3,4)S3	T*9(C,V)*D20	24.5	FC64D	1630	49.0	35.6	13.75	12.00
TCHD48S4(3,4)S3	T*9(C,V)*D20	24.5	HD48	1645	47.0	34.2	13.35	11.60
TCHD48S4(3,4)S3	T*9(C,V)*D20	24.5	HD60	1615	47.5	34.4	13.60	11.75
TCHD48S4(3,4)S3	T*9(C,V)*D20	24.5	UC48D	1645	45.5	33.0	13.00	11.30
TCHD48S4(3,4)S3	T*9(C,V)*D20	24.5	UC60D	1615	46.0	32.8	13.20	11.40
TCHD48S4(3,4)S3	TM8X080C16MP11	21.0	FC/MC/PC48C	1525	46.0	32.5	13.35	11.50
TCHD48S4(3,4)S3	TM8X080C16MP11	21.0	FC/MC/PC60D	1550	46.5	33.1	13.35	11.25
TCHD48S4(3,4)S3	TM8X080C16MP11	21.0	FC/MC62D	1550	46.5	33.3	13.40	11.50
TCHD48S4(3,4)S3	TM8X080C16MP11	21.0	FC/PC60C	1525	46.5	33.1	13.35	11.50
TCHD48S4(3,4)S3	TM8X080C16MP11	21.0	FC64D	1550	48.0	34.3	13.85	12.05
TCHD48S4(3,4)S3	TM8X100C16MP11	21.0	FC/MC/PC48C	1525	46.0	32.5	13.35	11.50
TCHD48S4(3,4)S3	TM8X100C16MP11	21.0	FC/MC/PC60D	1550	46.5	33.1	13.35	11.25
TCHD48S4(3,4)S3	TM8X100C16MP11	21.0	FC/MC62D	1550	46.5	33.3	13.40	11.50
TCHD48S4(3,4)S3	TM8X100C16MP11	21.0	FC/PC60C	1525	46.5	33.1	13.35	11.50
TCHD48S4(3,4)S3	TM8X100C16MP11	21.0	FC64D	1550	48.0	34.3	13.85	12.05

COOLING CAPACITY - With High Efficiency Motor Furnaces (Continued)

UNIT MODEL	FURNACE		COIL MODEL ¹	COOLING				
	MODEL	WIDTH		RATED CFM	Net MBH		SEER	EER
					TOTAL	SENS.		
TCHD48S4(3,4)S3	TM8X100C20MP11	21.0	FC/MC/PC48C	1550	46.0	32.9	13.50	11.75
TCHD48S4(3,4)S3	TM8X100C20MP11	21.0	FC/MC/PC48D	1575	46.0	32.9	13.50	11.50
TCHD48S4(3,4)S3	TM8X100C20MP11	21.0	FC/MC/PC60D	1575	46.5	33.1	13.50	11.50
TCHD48S4(3,4)S3	TM8X100C20MP11	21.0	FC/MC62D	1575	46.5	33.3	13.60	11.75
TCHD48S4(3,4)S3	TM8X100C20MP11	21.0	FC/PC60C	1550	46.5	33.1	13.50	11.50
TCHD48S4(3,4)S3	TM8X100C20MP11	21.0	FC64D	1600	48.0	34.3	14.00	12.20
TCHD48S4(3,4)S3	TM8X100C20MP11	21.0	UC60C	1550	46.0	32.1	13.45	11.65
TCHD48S4(3,4)S3	TM8X100C20MP11	21.0	UC60D	1575	46.0	32.1	13.50	11.70
TCHD48S4(3,4)S3	TM8X120C20MP11	21.0	FC/MC/PC48C	1550	46.0	32.9	13.50	11.75
TCHD48S4(3,4)S3	TM8X120C20MP11	21.0	FC/MC/PC48D	1575	46.0	32.9	13.50	11.50
TCHD48S4(3,4)S3	TM8X120C20MP11	21.0	FC/MC/PC60D	1575	46.5	33.1	13.50	11.50
TCHD48S4(3,4)S3	TM8X120C20MP11	21.0	FC/MC62D	1575	46.5	33.3	13.60	11.75
TCHD48S4(3,4)S3	TM8X120C20MP11	21.0	FC/PC60C	1550	46.5	33.1	13.50	11.50
TCHD48S4(3,4)S3	TM8X120C20MP11	21.0	FC64D	1600	48.0	34.3	14.00	12.20
TCHD48S4(3,4)S3	TM8X120C20MP11	21.0	UC60C	1550	46.0	32.1	13.45	11.65
TCHD48S4(3,4)S3	TM8X120C20MP11	21.0	UC60D	1575	46.0	32.1	13.50	11.70
TCHD48S4(3,4)S3	TM9E100C20MP11	21.0	FC/MC62D	1550	46.5	33.3	13.45	11.50
TCHD48S4(3,4)S3	TM9E100C20MP11	21.0	FC64D	1550	48.0	34.3	13.85	12.05
TCHD48S4(3,4)S3	TM9E120D20MP11	24.5	FC/MC/PC48D	1525	46.0	32.5	13.45	11.50
TCHD48S4(3,4)S3	TM9E120D20MP11	24.5	FC/MC/PC60D	1550	46.5	33.1	13.50	11.75
TCHD48S4(3,4)S3	TM9E120D20MP11	24.5	FC/MC62D	1550	46.5	33.3	13.50	11.50
TCHD48S4(3,4)S3	TM9E120D20MP11	24.5	FC64D	1525	48.0	34.3	13.95	12.10
TCHD48S4(3,4)S3	TM9E120D20MP11	24.5	UC60D	1550	46.0	32.1	13.35	11.50
TCHD48S4(3,4)S3	TM9X100C20MP11	21.0	FC/MC62D	1550	46.5	33.3	13.45	11.50
TCHD48S4(3,4)S3	TM9X100C20MP11	21.0	FC64D	1550	48.0	34.3	13.85	12.05
TCHD48S4(3,4)S3	TM9X120D20MP11	24.5	FC/MC/PC48D	1525	46.0	32.5	13.45	11.50
TCHD48S4(3,4)S3	TM9X120D20MP11	24.5	FC/MC/PC60D	1550	46.5	33.1	13.50	11.75
TCHD48S4(3,4)S3	TM9X120D20MP11	24.5	FC/MC62D	1550	46.5	33.3	13.50	11.50
TCHD48S4(3,4)S3	TM9X120D20MP11	24.5	FC64D	1525	48.0	34.3	13.95	12.10
TCHD48S4(3,4)S3	TM9X120D20MP11	24.5	UC60D	1550	46.0	32.1	13.35	11.50
TCHD48S4(3,4)S3	TMLX080C16MP11	21.0	FC/MC/PC48C	1525	46.0	32.5	13.35	11.50
TCHD48S4(3,4)S3	TMLX080C16MP11	21.0	FC/MC/PC60D	1550	46.5	33.1	13.35	11.25
TCHD48S4(3,4)S3	TMLX080C16MP11	21.0	FC/MC62D	1550	46.5	33.3	13.40	11.50
TCHD48S4(3,4)S3	TMLX080C16MP11	21.0	FC/PC60C	1525	46.5	33.1	13.35	11.50
TCHD48S4(3,4)S3	TMLX080C16MP11	21.0	FC64D	1550	48.0	34.3	13.85	12.05
TCHD48S4(3,4)S3	TMLX100C16MP11	21.0	FC/MC/PC48C	1525	46.0	32.5	13.35	11.50
TCHD48S4(3,4)S3	TMLX100C16MP11	21.0	FC/MC/PC60D	1550	46.5	33.1	13.35	11.25
TCHD48S4(3,4)S3	TMLX100C16MP11	21.0	FC/MC62D	1550	46.5	33.3	13.40	11.50
TCHD48S4(3,4)S3	TMLX100C16MP11	21.0	FC/PC60C	1525	46.5	33.1	13.35	11.50
TCHD48S4(3,4)S3	TMLX100C16MP11	21.0	FC64D	1550	48.0	34.3	13.85	12.05
TCHD48S4(3,4)S3	TMLX100C20MP11	21.0	FC/MC/PC48C	1550	46.0	32.9	13.50	11.75
TCHD48S4(3,4)S3	TMLX100C20MP11	21.0	FC/MC/PC48D	1575	46.0	32.9	13.50	11.50
TCHD48S4(3,4)S3	TMLX100C20MP11	21.0	FC/MC/PC60D	1575	46.5	33.1	13.50	11.50
TCHD48S4(3,4)S3	TMLX100C20MP11	21.0	FC/MC62D	1575	46.5	33.3	13.60	11.75
TCHD48S4(3,4)S3	TMLX100C20MP11	21.0	FC/PC60C	1550	46.5	33.1	13.50	11.50
TCHD48S4(3,4)S3	TMLX100C20MP11	21.0	FC64D	1600	48.0	34.3	14.00	12.20
TCHD48S4(3,4)S3	TMLX100C20MP11	21.0	UC60C	1550	46.0	32.1	13.45	11.65
TCHD48S4(3,4)S3	TMLX100C20MP11	21.0	UC60D	1575	46.0	32.1	13.50	11.70
TCHD48S4(3,4)S3	TMLX120C20MP11	21.0	FC/MC/PC48C	1550	46.0	32.9	13.50	11.75
TCHD48S4(3,4)S3	TMLX120C20MP11	21.0	FC/MC/PC48D	1575	46.0	32.9	13.50	11.50
TCHD48S4(3,4)S3	TMLX120C20MP11	21.0	FC/MC/PC60D	1575	46.5	33.1	13.50	11.50
TCHD48S4(3,4)S3	TMLX120C20MP11	21.0	FC/MC62D	1575	46.5	33.3	13.60	11.75
TCHD48S4(3,4)S3	TMLX120C20MP11	21.0	FC/PC60C	1550	46.5	33.1	13.50	11.50

COOLING CAPACITY - With High Efficiency Motor Furnaces (Continued)

UNIT MODEL	FURNACE		COIL MODEL ¹	COOLING				
	MODEL	WIDTH		RATED CFM	Net MBH		SEER	EER
					TOTAL	SENS.		
TCHD48S4(3,4)S3	TMLX120C20MP11	21.0	FC64D	1600	48.0	34.3	14.00	12.20
TCHD48S4(3,4)S3	TMLX120C20MP11	21.0	UC60C	1550	46.0	32.1	13.45	11.65
TCHD48S4(3,4)S3	TMLX120C20MP11	21.0	UC60D	1575	46.0	32.1	13.50	11.70
TCHD48S4(3,4)S3	C*(8,L)*C16	21.0	FC/MC/PC48C	1615	47.0	34.2	13.25	11.50
TCHD48S4(3,4)S3	C*(8,L)*C16	21.0	FC/PC60C	1625	46.5	33.7	13.25	11.50
TCHD48S4(3,4)S3	C*(8,L)*C16	21.0	FC64D	1635	49.0	35.8	14.00	12.25
TCHD48S4(3,4)S3	C*(8,L)*C16	21.0	HD60	1625	47.5	34.4	13.70	11.85
TCHD48S4(3,4)S3	C*(8,L)*C16	21.0	UC48C	1615	45.5	33.2	13.10	11.35
TCHD48S4(3,4)S3	C*(8,L)*C16	21.0	UC60C	1625	46.0	32.8	13.30	11.50
TCHD48S4(3,4)S3	C*(8,L)*C20	21.0	FC/MC/PC48C	1640	47.0	34.0	13.45	11.65
TCHD48S4(3,4)S3	C*(8,L)*C20	21.0	FC/PC60C	1605	47.0	34.2	14.00	11.60
TCHD48S4(3,4)S3	C*(8,L)*C20	21.0	FC64D	1630	49.0	35.8	14.25	12.25
TCHD48S4(3,4)S3	C*(8,L)*C20	21.0	HD60	1605	47.5	34.6	14.00	12.05
TCHD48S4(3,4)S3	C*(8,L)*C20	21.0	UC48C	1640	45.5	33.0	13.05	11.35
TCHD48S4(3,4)S3	C*(8,L)*C20	21.0	UC60C	1605	46.0	33.0	13.55	11.70
TCHD48S4(3,4)S3	C*9C16	21.0	FC/MC/PC48C	1590	47.0	33.8	13.45	11.65
TCHD48S4(3,4)S3	C*9C16	21.0	FC/PC60C	1590	47.0	34.4	13.40	11.65
TCHD48S4(3,4)S3	C*9C16	21.0	FC64D	1590	49.0	35.6	14.00	12.00
TCHD48S4(3,4)S3	C*9C16	21.0	HD60	1590	47.0	34.2	13.50	11.65
TCHD48S4(3,4)S3	C*9C16	21.0	UC48C	1590	45.5	33.0	13.00	11.30
TCHD48S4(3,4)S3	C*9C16	21.0	UC60C	1590	45.5	32.8	13.05	11.30
TCHD48S4(3,4)S3	C*9C20	21.0	FC/MC/PC48C	1655	47.5	34.4	13.50	11.70
TCHD48S4(3,4)S3	C*9C20	21.0	FC/PC60C	1655	47.0	34.4	13.35	11.65
TCHD48S4(3,4)S3	C*9C20	21.0	FC64D	1655	49.0	35.6	13.75	11.75
TCHD48S4(3,4)S3	C*9C20	21.0	HD60	1655	47.0	34.2	13.50	11.65
TCHD48S4(3,4)S3	C*9C20	21.0	UC48C	1655	45.5	33.0	13.00	11.30
TCHD48S4(3,4)S3	C*9C20	21.0	UC60C	1655	45.5	32.8	13.05	11.30
TCHD48S4(3,4)S3	C*9C20	24.5	FC/MC/PC48D	1645	47.5	34.4	13.50	11.70
TCHD48S4(3,4)S3	C*9C20	24.5	FC/MC/PC60D	1615	47.0	34.4	13.50	11.75
TCHD48S4(3,4)S3	C*9C20	24.5	FC/MC62D	1630	47.5	34.6	13.65	11.85
TCHD48S4(3,4)S3	C*9C20	24.5	FC64D	1630	49.0	35.6	13.75	12.00
TCHD48S4(3,4)S3	C*9C20	24.5	HD60	1615	47.5	34.4	13.60	11.75
TCHD48S4(3,4)S3	C*9C20	24.5	UC48D	1645	45.5	33.0	13.00	11.30
TCHD48S4(3,4)S3	C*9C20	24.5	UC60D	1615	46.0	32.8	13.20	11.40
TCHD60S4(3,4)S3	TM8V080C16MP12C	21.0	CF/CM64D	1725	58.5	43.0	13.00	11.00
TCHD60S4(3,4)S3	TM8V100C16MP12C	21.0	CF/CM64D	1725	58.5	43.0	13.00	11.00
TCHD60S4(3,4)S3	TM8V100C20MP12C	21.0	CF/CM64D	1625	58.5	42.0	13.00	11.00
TCHD60S4(3,4)S3	TM8V120C20MP12C	21.0	CF/CM64D	1625	58.5	42.0	13.00	11.00
TCHD60S4(3,4)S3	TM9E100C20MP11	21.0	CF/CM64D	1550	58.5	41.5	13.00	11.00
TCHD60S4(3,4)S3	TM9E120D20MP11	24.5	CF/CM64D	1575	58.5	41.5	13.00	11.00
TCHD60S4(3,4)S3	TM9V080C16MP12C	21.0	CF/CM64D	1625	58.5	42.0	13.00	11.00
TCHD60S4(3,4)S3	TM9V100C16MP12C	21.0	CF/CM64D	1625	58.5	42.0	13.00	11.00
TCHD60S4(3,4)S3	TM9V100C20MP12C	21.0	CF/CM64D	1625	58.5	42.0	13.00	11.00
TCHD60S4(3,4)S3	TM9V120D20MP12C	24.5	CF/CM64D	1575	58.5	41.5	13.00	11.00
TCHD60S4(3,4)S3	TM9Y100C20MP11	21.0	CF/CM64D	1550	58.5	41.5	13.00	11.00
TCHD60S4(3,4)S3	TM9Y120D20MP11	24.5	CF/CM64D	1575	58.5	41.5	13.00	11.00
TCHD60S4(3,4)S3	TMLV080C16MP12C	21.0	CF/CM64D	1725	58.5	43.0	13.00	11.00
TCHD60S4(3,4)S3	TMLV100C16MP12C	21.0	CF/CM64D	1725	58.5	43.0	13.00	11.00
TCHD60S4(3,4)S3	TMLV100C20MP12C	21.0	CF/CM64D	1625	58.5	42.0	13.00	11.00
TCHD60S4(3,4)S3	TMLV120C20MP12C	21.0	CF/CM64D	1625	58.5	42.0	13.00	11.00
TCHD60S4(3,4)S3	TP9C080C16MP13C	21.0	CF/CM64D	1625	58.5	42.0	13.00	11.00
TCHD60S4(3,4)S3	TP9C100C16MP13C	21.0	CF/CM64D	1625	58.5	42.0	13.00	11.00
TCHD60S4(3,4)S3	TP9C100C20MP13C	21.0	CF/CM64D	1625	58.5	42.0	13.00	11.00

COOLING CAPACITY - With High Efficiency Motor Furnaces (Continued)

UNIT MODEL	FURNACE		COIL MODEL ¹	COOLING				
	MODEL	WIDTH		RATED CFM	Net MBH		SEER	EER
					TOTAL	SENS.		
TCHD60S4(3,4)S3	TP9C120D20MP13C	24.5	CF/CM64D	1575	58.5	41.5	13.00	11.00
TCHD60S4(3,4)S3	TPLC080C16MP13C	21.0	CF/CM64D	1725	58.5	43.0	13.00	11.00
TCHD60S4(3,4)S3	TPLC100C16MP13C	21.0	CF/CM64D	1725	58.5	43.0	13.00	11.00
TCHD60S4(3,4)S3	TPLC100C20MP13C	21.0	CF/CM64D	1625	58.5	42.0	13.00	11.00
TCHD60S4(3,4)S3	TPLC120C20MP13C	21.0	CF/CM64D	1625	58.5	42.0	13.00	11.00
TCHD60S4(3,4)S3	CP9C080C16MP13C	21.0	CF/CM64D	1625	58.5	42.0	13.00	11.00
TCHD60S4(3,4)S3	CP9C100C16MP13C	21.0	CF/CM64D	1625	58.5	42.0	13.00	11.00
TCHD60S4(3,4)S3	CP9C100C20MP13C	21.0	CF/CM64D	1625	58.5	42.0	13.00	11.00
TCHD60S4(3,4)S3	CP9C120D20MP13C	24.5	CF/CM64D	1575	58.5	41.5	13.00	11.00
TCHD60S4(3,4)S3	CPLC080C16MP13C	21.0	CF/CM64D	1725	58.5	43.0	13.00	11.00
TCHD60S4(3,4)S3	CPLC100C16MP13C	21.0	CF/CM64D	1725	58.5	43.0	13.00	11.00
TCHD60S4(3,4)S3	CPLC100C20MP13C	21.0	CF/CM64D	1625	58.5	42.0	13.00	11.00
TCHD60S4(3,4)S3	CPLC120C20MP13C	21.0	CF/CM64D	1625	58.5	42.0	13.00	11.00
TCHD60S4(3,4)S3	TM8E080C16MP11	21.0	CF/CM64D	1575	59.0	42.5	13.25	11.00
TCHD60S4(3,4)S3	TM8E080C20MP11	21.0	CF/CM/CU60C	1550	57.0	40.7	13.00	10.75
TCHD60S4(3,4)S3	TM8E080C20MP11	21.0	CF/CM/CU60D	1575	57.0	41.0	13.25	11.00
TCHD60S4(3,4)S3	TM8E080C20MP11	21.0	CF/CM64D	1575	59.0	42.4	13.50	11.25
TCHD60S4(3,4)S3	TM8E080C20MP11	21.0	CF60CBDA2	1550	57.0	40.7	13.00	10.75
TCHD60S4(3,4)S3	TM8E080C20MP11	21.0	CF60DBDA2	1575	57.0	41.0	13.25	11.00
TCHD60S4(3,4)S3	TM8E080C20MP11	21.0	CM60CBDA2	1550	57.0	40.7	13.00	10.75
TCHD60S4(3,4)S3	TM8E080C20MP11	21.0	CM60DBDA2	1575	57.0	41.0	13.25	11.00
TCHD60S4(3,4)S3	TM8E100C16MP11	21.0	CF/CM64D	1575	59.0	42.5	13.25	11.00
TCHD60S4(3,4)S3	TM8E100C20MP11	21.0	CF/CM/CU60C	1500	56.5	39.9	13.00	10.75
TCHD60S4(3,4)S3	TM8E100C20MP11	21.0	CF/CM/CU60D	1550	57.0	40.7	13.25	11.00
TCHD60S4(3,4)S3	TM8E100C20MP11	21.0	CF/CM64D	1525	59.0	42.2	13.50	11.25
TCHD60S4(3,4)S3	TM8E100C20MP11	21.0	CF60CBDA2	1500	56.5	39.9	13.00	10.75
TCHD60S4(3,4)S3	TM8E100C20MP11	21.0	CF60DBDA2	1550	57.0	40.7	13.25	11.00
TCHD60S4(3,4)S3	TM8E100C20MP11	21.0	CM60CBDA2	1500	56.5	39.9	13.00	10.75
TCHD60S4(3,4)S3	TM8E100C20MP11	21.0	CM60DBDA2	1550	57.0	40.7	13.25	11.00
TCHD60S4(3,4)S3	TM8E120C16MP11	21.0	CF/CM64D	1575	59.0	42.5	13.25	11.00
TCHD60S4(3,4)S3	TM8E120C20MP11	21.0	CF/CM/CU60C	1500	57.0	40.4	13.25	11.00
TCHD60S4(3,4)S3	TM8E120C20MP11	21.0	CF/CM/CU60D	1525	57.0	40.6	13.25	11.00
TCHD60S4(3,4)S3	TM8E120C20MP11	21.0	CF/CM64D	1525	59.0	42.2	13.50	11.25
TCHD60S4(3,4)S3	TM8E120C20MP11	21.0	CF60CBDA2	1500	57.0	40.4	13.25	11.00
TCHD60S4(3,4)S3	TM8E120C20MP11	21.0	CF60DBDA2	1525	57.0	40.6	13.25	11.00
TCHD60S4(3,4)S3	TM8E120C20MP11	21.0	CM60CBDA2	1500	57.0	40.4	13.25	11.00
TCHD60S4(3,4)S3	TM8E120C20MP11	21.0	CM60DBDA2	1525	57.0	40.6	13.25	11.00
TCHD60S4(3,4)S3	TM8E130D20MP11	24.5	CF/CM/CU60D	1650	57.5	41.8	13.00	11.00
TCHD60S4(3,4)S3	TM8E130D20MP11	24.5	CF/CM64D	1625	59.5	43.2	13.50	11.00
TCHD60S4(3,4)S3	TM8E130D20MP11	24.5	CF60DBDA2	1650	57.5	41.8	13.00	11.00
TCHD60S4(3,4)S3	TM8E130D20MP11	24.5	CM60DBDA2	1650	57.5	41.8	13.00	11.00
TCHD60S4(3,4)S3	TM8V080C16MP12C	21.0	CF/CM64D	1725	58.5	44.5	13.00	11.00
TCHD60S4(3,4)S3	TM8V100C16MP12C	21.0	CF/CM64D	1725	58.5	44.5	13.00	11.00
TCHD60S4(3,4)S3	TM8V100C20MP12C	21.0	CF/CM64D	1625	58.5	43.2	13.25	11.00
TCHD60S4(3,4)S3	TM8V120C20MP12C	21.0	CF/CM64D	1625	58.5	43.2	13.25	11.00
TCHD60S4(3,4)S3	TM9E080C20MP12	21.0	CF/CM/CU60C	1500	57.0	40.4	13.00	10.75
TCHD60S4(3,4)S3	TM9E080C20MP12	21.0	CF/CM/CU60D	1525	57.0	40.6	13.25	11.00
TCHD60S4(3,4)S3	TM9E080C20MP12	21.0	CF/CM64D	1500	58.5	41.5	13.50	11.25
TCHD60S4(3,4)S3	TM9E080C20MP12	21.0	CF60CBDA2	1500	57.0	40.4	13.00	10.75
TCHD60S4(3,4)S3	TM9E080C20MP12	21.0	CF60DBDA2	1525	57.0	40.6	13.25	11.00
TCHD60S4(3,4)S3	TM9E080C20MP12	21.0	CM60CBDA2	1500	57.0	40.4	13.00	10.75
TCHD60S4(3,4)S3	TM9E080C20MP12	21.0	CM60DBDA2	1525	57.0	40.6	13.25	11.00
TCHD60S4(3,4)S3	TM9E100C20MP11	21.0	CF/CM64D	1550	58.5	42.1	13.00	11.00

COOLING CAPACITY - With High Efficiency Motor Furnaces (Continued)

UNIT MODEL	FURNACE		COIL MODEL ¹	COOLING				
	MODEL	WIDTH		RATED CFM	Net MBH		SEER	EER
					TOTAL	SENS.		
TCHD60S4(3,4)S3	TM9E100C20MP12	21.0	CF/CM/CU60C	1500	57.0	40.4	13.00	10.75
TCHD60S4(3,4)S3	TM9E100C20MP12	21.0	CF/CM/CU60D	1550	57.0	40.7	13.25	11.00
TCHD60S4(3,4)S3	TM9E100C20MP12	21.0	CF/CM64D	1525	59.0	42.2	13.50	11.25
TCHD60S4(3,4)S3	TM9E100C20MP12	21.0	CF60CBDA2	1500	57.0	40.4	13.00	10.75
TCHD60S4(3,4)S3	TM9E100C20MP12	21.0	CF60DBDA2	1550	57.0	40.7	13.25	11.00
TCHD60S4(3,4)S3	TM9E100C20MP12	21.0	CM60CBDA2	1500	57.0	40.4	13.00	10.75
TCHD60S4(3,4)S3	TM9E100C20MP12	21.0	CM60DBDA2	1550	57.0	40.7	13.25	11.00
TCHD60S4(3,4)S3	TM9E120D20MP11	24.5	CF/CM64D	1575	58.5	42.5	13.00	11.00
TCHD60S4(3,4)S3	TM9E120D20MP12	24.5	CF/CM64D	1600	59.0	42.9	13.25	11.00
TCHD60S4(3,4)S3	TM9V080C16MP12C	21.0	CF/CM64D	1625	58.5	42.8	13.00	11.00
TCHD60S4(3,4)S3	TM9V100C16MP12C	21.0	CF/CM64D	1600	58.5	42.5	13.00	10.75
TCHD60S4(3,4)S3	TM9V100C20MP12C	21.0	CF/CM64D	1625	58.5	42.7	13.00	11.00
TCHD60S4(3,4)S3	TM9V120D20MP12C	24.5	CF/CM64D	1575	58.5	42.4	13.25	11.00
TCHD60S4(3,4)S3	TM9Y100C20MP11	21.0	CF/CM64D	1550	58.5	42.1	13.00	11.00
TCHD60S4(3,4)S3	TM9Y120D20MP11	24.5	CF/CM64D	1575	58.5	42.5	13.00	11.00
TCHD60S4(3,4)S3	TMLE080C16MP11	21.0	CF/CM64D	1575	59.0	42.5	13.25	11.00
TCHD60S4(3,4)S3	TMLE080C20MP11	21.0	CF/CM/CU60C	1550	57.0	40.7	13.00	10.75
TCHD60S4(3,4)S3	TMLE080C20MP11	21.0	CF/CM/CU60D	1575	57.0	41.0	13.25	11.00
TCHD60S4(3,4)S3	TMLE080C20MP11	21.0	CF/CM64D	1575	59.0	42.4	13.50	11.25
TCHD60S4(3,4)S3	TMLE080C20MP11	21.0	CF60CBDA2	1550	57.0	40.7	13.00	10.75
TCHD60S4(3,4)S3	TMLE080C20MP11	21.0	CF60DBDA2	1575	57.0	41.0	13.25	11.00
TCHD60S4(3,4)S3	TMLE080C20MP11	21.0	CM60CBDA2	1550	57.0	40.7	13.00	10.75
TCHD60S4(3,4)S3	TMLE080C20MP11	21.0	CM60DBDA2	1575	57.0	41.0	13.25	11.00
TCHD60S4(3,4)S3	TMLE100C16MP11	21.0	CF/CM64D	1575	59.0	42.5	13.25	11.00
TCHD60S4(3,4)S3	TMLE100C20MP11	21.0	CF/CM/CU60C	1500	56.5	39.9	13.00	10.75
TCHD60S4(3,4)S3	TMLE100C20MP11	21.0	CF/CM/CU60D	1550	57.0	40.7	13.25	11.00
TCHD60S4(3,4)S3	TMLE100C20MP11	21.0	CF/CM64D	1525	59.0	42.2	13.50	11.25
TCHD60S4(3,4)S3	TMLE100C20MP11	21.0	CF60CBDA2	1500	56.5	39.9	13.00	10.75
TCHD60S4(3,4)S3	TMLE100C20MP11	21.0	CF60DBDA2	1550	57.0	40.7	13.25	11.00
TCHD60S4(3,4)S3	TMLE100C20MP11	21.0	CM60CBDA2	1500	56.5	39.9	13.00	10.75
TCHD60S4(3,4)S3	TMLE100C20MP11	21.0	CM60DBDA2	1550	57.0	40.7	13.25	11.00
TCHD60S4(3,4)S3	TMLE120C16MP11	21.0	CF/CM64D	1575	59.0	42.5	13.25	11.00
TCHD60S4(3,4)S3	TMLE120C20MP11	21.0	CF/CM/CU60C	1500	57.0	40.4	13.25	11.00
TCHD60S4(3,4)S3	TMLE120C20MP11	21.0	CF/CM/CU60D	1525	57.0	40.6	13.25	11.00
TCHD60S4(3,4)S3	TMLE120C20MP11	21.0	CF/CM64D	1525	59.0	42.2	13.50	11.25
TCHD60S4(3,4)S3	TMLE120C20MP11	21.0	CF60CBDA2	1500	57.0	40.4	13.25	11.00
TCHD60S4(3,4)S3	TMLE120C20MP11	21.0	CF60DBDA2	1525	57.0	40.6	13.25	11.00
TCHD60S4(3,4)S3	TMLE120C20MP11	21.0	CM60CBDA2	1500	57.0	40.4	13.25	11.00
TCHD60S4(3,4)S3	TMLE120C20MP11	21.0	CM60DBDA2	1525	57.0	40.6	13.25	11.00
TCHD60S4(3,4)S3	TMLE130D20MP11	24.5	CF/CM/CU60D	1650	57.5	41.8	13.00	11.00
TCHD60S4(3,4)S3	TMLE130D20MP11	24.5	CF/CM64D	1625	59.5	43.2	13.50	11.00
TCHD60S4(3,4)S3	TMLE130D20MP11	24.5	CF60DBDA2	1650	57.5	41.8	13.00	11.00
TCHD60S4(3,4)S3	TMLE130D20MP11	24.5	CM60DBDA2	1650	57.5	41.8	13.00	11.00
TCHD60S4(3,4)S3	TMLV080C16MP12C	21.0	CF/CM64D	1725	58.5	44.5	13.00	11.00
TCHD60S4(3,4)S3	TMLV100C16MP12C	21.0	CF/CM64D	1725	58.5	44.5	13.00	11.00
TCHD60S4(3,4)S3	TMLV100C20MP12C	21.0	CF/CM64D	1625	58.5	43.2	13.25	11.00
TCHD60S4(3,4)S3	TMLV120C20MP12C	21.0	CF/CM64D	1625	58.5	43.2	13.25	11.00
TCHD60S4(3,4)S3	TP9C080C16MP13C	21.0	CF/CM64D	1625	58.5	42.8	13.00	11.00
TCHD60S4(3,4)S3	TP9C100C16MP13C	21.0	CF/CM64D	1600	58.5	42.5	13.00	10.75
TCHD60S4(3,4)S3	TP9C100C20MP13C	21.0	CF/CM64D	1625	58.5	42.7	13.00	11.00
TCHD60S4(3,4)S3	TP9C120D20MP13C	24.5	CF/CM64D	1575	58.5	42.4	13.25	11.00
TCHD60S4(3,4)S3	TPLC080C16MP13C	21.0	CF/CM64D	1725	58.5	44.5	13.00	11.00
TCHD60S4(3,4)S3	TPLC100C16MP13C	21.0	CF/CM64D	1725	58.5	44.5	13.00	11.00

COOLING CAPACITY - With High Efficiency Motor Furnaces (Continued)

UNIT MODEL	FURNACE		COIL MODEL ¹	COOLING				
	MODEL	WIDTH		RATED CFM	Net MBH		SEER	EER
					TOTAL	SENS.		
TCHD60S4(3,4)S3	TPLC100C20MP13C	21.0	CF/CM64D	1625	58.5	43.2	13.25	11.00
TCHD60S4(3,4)S3	TPLC120C20MP13C	21.0	CF/CM64D	1625	58.5	43.2	13.25	11.00
TCHD60S4(3,4)S3	CP9C080C16MP13C	21.0	CF/CM64D	1625	58.5	42.8	13.00	11.00
TCHD60S4(3,4)S3	CP9C100C16MP13C	21.0	CF/CM64D	1600	58.5	42.5	13.00	10.75
TCHD60S4(3,4)S3	CP9C100C20MP13C	21.0	CF/CM64D	1625	58.5	42.7	13.00	11.00
TCHD60S4(3,4)S3	CP9C120D20MP13C	24.5	CF/CM64D	1575	58.5	42.4	13.25	11.00
TCHD60S4(3,4)S3	CPLC080C16MP13C	21.0	CF/CM64D	1725	58.5	44.5	13.00	11.00
TCHD60S4(3,4)S3	CPLC100C16MP13C	21.0	CF/CM64D	1725	58.5	44.5	13.00	11.00
TCHD60S4(3,4)S3	CPLC100C20MP13C	21.0	CF/CM64D	1625	58.5	43.2	13.25	11.00
TCHD60S4(3,4)S3	CPLC120C20MP13C	21.0	CF/CM64D	1625	58.5	43.2	13.25	11.00
TCHD60S4(3,4)S3	T*(8,L)C*C16	21.0	HD60	1740	57.0	40.0	13.05	11.15
TCHD60S4(3,4)S3	T*(8,L)C*C20	21.0	FC/MC62D	1615	56.5	38.5	13.30	11.30
TCHD60S4(3,4)S3	T*(8,L)C*C20	21.0	HD60	1605	56.0	38.0	13.40	11.40
TCHD60S4(3,4)S3	T*(8,L)V*C16	21.0	HD60	1740	57.0	40.0	13.05	11.15
TCHD60S4(3,4)S3	T*(8,L)V*C20	21.0	FC/MC62D	1615	56.5	38.5	13.30	11.30
TCHD60S4(3,4)S3	T*9(C,V)*C16	21.0	HD60	1590	56.0	38.0	13.15	11.20
TCHD60S4(3,4)S3	T*9(C,V)*C20	21.0	FC/MC62D	1655	56.5	38.0	13.15	11.10
TCHD60S4(3,4)S3	T*9(C,V)*C20	21.0	FC64D	1655	58.0	40.0	13.25	11.25
TCHD60S4(3,4)S3	T*9(C,V)*C20	21.0	HD60	1655	56.0	38.0	13.00	11.10
TCHD60S4(3,4)S3	T*9(C,V)*D20	24.5	FC/MC62D	1630	56.5	38.0	13.30	11.20
TCHD60S4(3,4)S3	T*9(C,V)*D20	24.5	FC64D	1630	58.0	40.0	13.50	11.50
TCHD60S4(3,4)S3	T*9(C,V)*D20	24.5	HD60	1615	56.0	38.0	13.10	11.15
TCHD60S4(3,4)S3	TM8X100C20MP11	21.0	FC/MC62D	1575	55.5	37.5	13.25	11.20
TCHD60S4(3,4)S3	TM8X100C20MP11	21.0	FC64D	1600	57.0	38.7	13.65	11.55
TCHD60S4(3,4)S3	TM8X120C20MP11	21.0	FC/MC62D	1575	55.5	37.5	13.25	11.20
TCHD60S4(3,4)S3	TM8X120C20MP11	21.0	FC64D	1600	57.0	38.7	13.65	11.55
TCHD60S4(3,4)S3	TM9E100C20MP11	21.0	FC64D	1550	56.5	37.7	13.45	11.35
TCHD60S4(3,4)S3	TM9E120D20MP11	24.5	FC64D	1525	56.5	37.7	13.55	11.40
TCHD60S4(3,4)S3	TM9X100C20MP11	21.0	FC64D	1550	56.5	37.7	13.45	11.35
TCHD60S4(3,4)S3	TM9X120D20MP11	24.5	FC64D	1525	56.5	37.7	13.55	11.40
TCHD60S4(3,4)S3	TMLX100C20MP11	21.0	FC/MC62D	1575	55.5	37.5	13.25	11.20
TCHD60S4(3,4)S3	TMLX100C20MP11	21.0	FC64D	1600	57.0	38.7	13.65	11.55
TCHD60S4(3,4)S3	TMLX120C20MP11	21.0	FC/MC62D	1575	55.5	37.5	13.25	11.20
TCHD60S4(3,4)S3	TMLX120C20MP11	21.0	FC64D	1600	57.0	38.7	13.65	11.55
TCHD60S4(3,4)S3	C*(8,L)C*C16	21.0	HD60	1740	57.0	40.0	13.05	11.15
TCHD60S4(3,4)S3	C*(8,L)C*C20	21.0	FC/MC62D	1615	56.5	38.5	13.30	11.30
TCHD60S4(3,4)S3	C*9C*C16	21.0	HD60	1590	56.0	38.0	13.15	11.20
TCHD60S4(3,4)S3	C*9C*C20	21.0	FC/MC62D	1655	56.5	38.0	13.15	11.10
TCHD60S4(3,4)S3	C*9C*C20	21.0	FC64D	1655	58.0	40.0	13.25	11.25
TCHD60S4(3,4)S3	C*9C*D20	24.5	FC/MC62D	1630	56.5	38.0	13.30	11.20
TCHD60S4(3,4)S3	C*9C*D20	24.5	FC64D	1630	58.0	40.0	13.50	11.50

For rated condition information, see the *COOLING CAPACITY - With Air Handler Coils* table footnotes.

1. MC coils available with a factory installed horizontal drain pan. See price pages for specific model number.

ACCESSORIES

Refer to the *Price Manual* for specific model numbers.

Standard Low Ambient Control Kit S1-2LA06700424 - Enables the use of air conditioning at low outdoor ambient temperatures down to +20°F (-7°C). For use with all R-410A single stage AC and HP models.

Advanced Low Ambient Control Kit S1-2LA04701024 - Contains the necessary components and controls to allow cooling operation down to -20°F (-29°C). For use with some R-410A single stage AC and HP models. This accessory can only be applied to models that contain a PSC outdoor fan motor.

Off Cycle Timer Delay - Provides a 5-min off cycle to prevent rapid recycling of the compressor.

Indoor TXV Kit S1-1TVM*** - Thermal expansion valves precisely meter refrigerant for optimum performance over a wide range of conditions. See the *SYSTEM CHARGE* table or refer to the *Price Pages* or Source 1 Smart Search for the TXV part number for each AC and HP model.

Stacking Kit (S1-1HDSTACK01) - Allows units to be stacked two high.

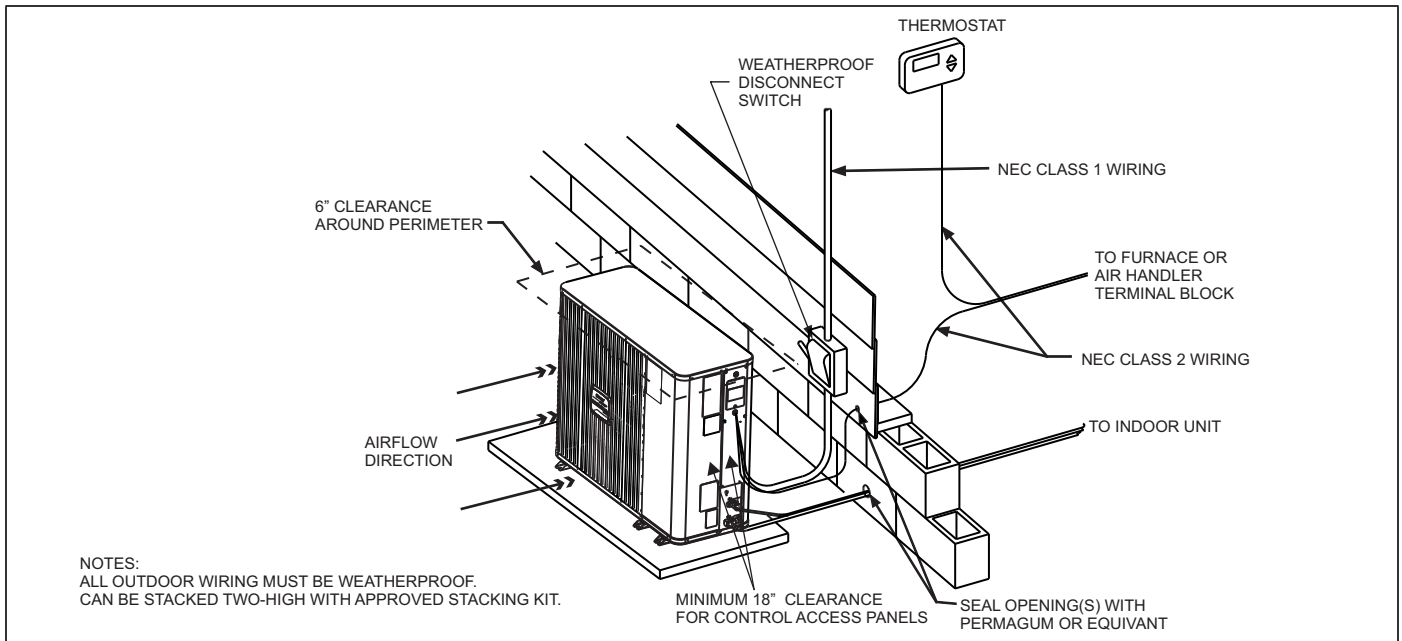
Thermostat - Compatible thermostat controls are available through accessory sourcing. For optimum performance, these outdoor units are fully compatible with our residential Hx™ Touch Screen Thermostats available through Source 1. For more information, refer to the *Thermostats & Controllers* section of the *Offering Catalog*.

SOUND POWER - TYPICAL OCTAVE BAND SPECTRUM (without tone adjustment)

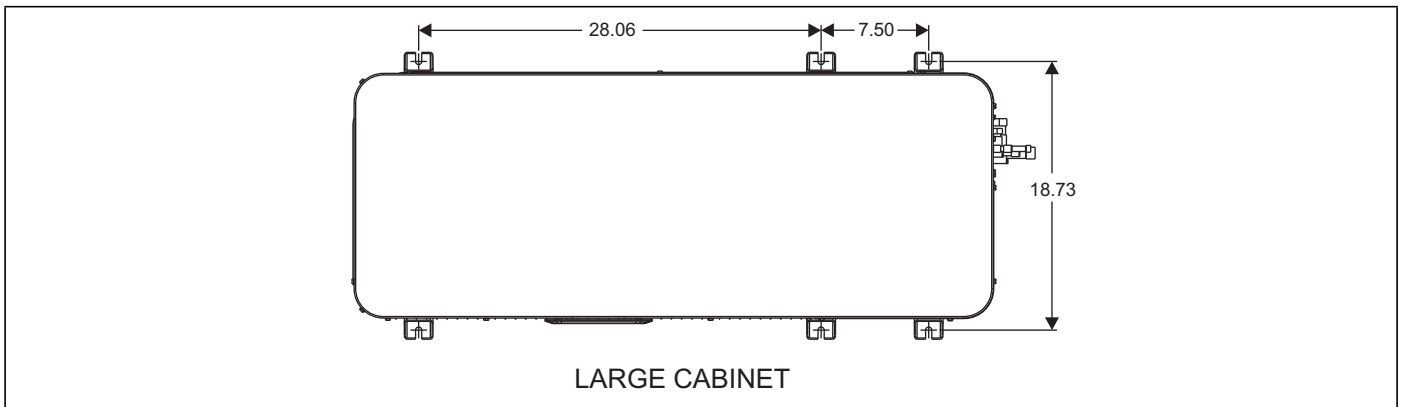
Size	Octave Band Sound Power Level (db re. 1-pW)								
	63	125	250	500	1000	2000	4000	8000	dBA
TCHD30S4(3,4)S3	73	78	69	67	65	60	57	58	70
TCHD36S4(3,4)S3	74	77	68	67	66	61	58	58	71
TCHD48S4(3,4)S3	75	81	70	68	66	61	58	58	72
TCHD60S4(3,4)S3	73	81	71	67	66	61	58	59	72

Rated in accordance with ARI Standard 270.

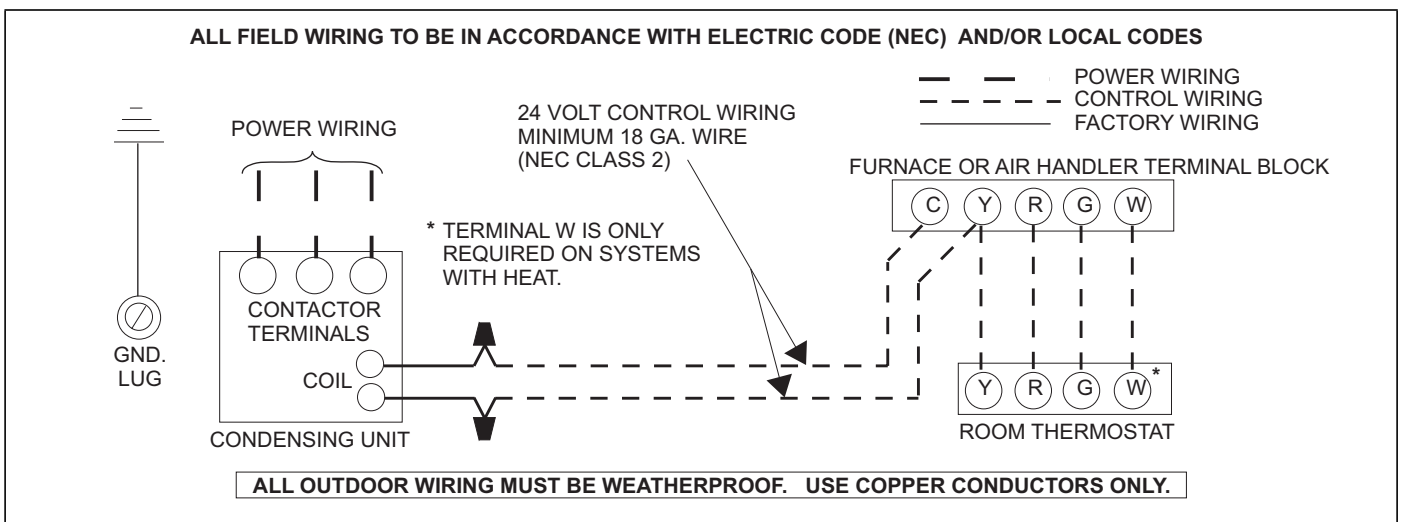
TYPICAL INSTALLATION



MOUNTING HOLE GRAPHIC



TYPICAL FIELD WIRING



PERFORMANCE DATA - 2.5 TON - COPPER MATCHED SYSTEMS

COOLING PERFORMANCE DATA																
AIR CONDITIONER MODEL NO.		TCHD30S4(3,4)S3														
INDOOR COIL MODEL NO.		FC/MC/PC35														
AIR TEMP. ENTERING OUTDOOR UNIT (°F)	ID CFM	800					1000					1200				
	ID DB (°F)	80	80	75	80	80	80	80	75	80	80	80	80	75	80	80
	ID WB (°F)	57	62	62	67	72	57	62	62	67	72	57	62	62	67	72
65	T.C.	27.3	28.7	28.9	30.5	31.8	28.8	29.9	29.8	31.6	33.4	30.3	31.0	30.7	32.8	35.0
	S.C.	26.6	24.5	20.7	20.5	15.9	28.2	27.4	23.2	22.6	17.2	29.7	30.4	25.7	24.7	18.5
	kW	1.61	1.64	1.61	1.64	1.63	1.63	1.63	1.61	1.64	1.64	1.65	1.62	1.61	1.64	1.65
75	T.C.	26.2	27.0	27.1	29.4	31.2	27.8	28.3	28.3	30.4	32.2	29.5	29.5	29.5	31.5	33.2
	S.C.	25.6	23.9	19.9	19.8	15.4	27.2	26.4	22.3	22.0	16.8	28.8	28.9	24.6	24.1	18.1
	kW	1.88	1.88	1.89	1.88	1.86	1.87	1.87	1.88	1.87	1.86	1.87	1.87	1.88	1.87	1.86
85	T.C.	25.1	25.3	25.2	28.3	30.6	26.8	26.7	26.7	29.2	31.0	28.6	28.0	28.3	30.1	31.4
	S.C.	24.5	23.2	19.1	19.2	15.0	26.2	25.3	21.3	21.3	16.3	28.0	27.4	23.6	23.5	17.7
	kW	2.15	2.12	2.18	2.11	2.09	2.12	2.12	2.16	2.10	2.09	2.09	2.12	2.14	2.10	2.08
95	T.C.	23.9	23.7	23.3	27.2	30.0	25.8	25.1	25.2	28.0	29.8	27.8	26.5	27.1	28.8	29.6
	S.C.	23.5	22.6	18.2	18.5	14.5	25.3	24.3	20.4	20.7	15.9	27.1	25.9	22.5	22.9	17.3
	kW	2.41	2.36	2.46	2.34	2.32	2.37	2.36	2.43	2.33	2.31	2.32	2.36	2.41	2.32	2.30
105	T.C.	22.4	22.6	22.2	25.0	27.8	24.3	24.1	23.8	26.1	27.8	26.2	25.6	25.3	27.3	27.9
	S.C.	21.9	21.5	17.6	17.8	13.9	23.7	23.1	19.7	20.0	15.3	25.5	24.8	21.7	22.2	16.7
	kW	2.93	2.96	3.05	2.84	2.70	2.85	2.88	3.01	2.80	2.69	2.76	2.80	2.97	2.76	2.67
115	T.C.	20.9	21.5	21.2	22.9	25.6	22.8	23.1	22.4	24.4	26.0	24.7	24.7	23.5	25.8	26.3
	S.C.	20.5	20.4	17.0	17.1	13.4	22.2	22.0	19.0	19.3	14.7	24.0	23.6	20.9	21.5	16.1
	kW	3.44	3.54	3.61	3.32	3.07	3.31	3.38	3.56	3.25	3.05	3.19	3.22	3.51	3.18	3.03
125	T.C.	19.5	20.4	20.1	20.7	23.4	21.3	22.1	20.9	22.6	24.1	23.2	23.9	21.8	24.4	24.7
	S.C.	19.0	19.3	16.4	16.4	12.8	20.7	20.9	18.3	18.6	14.2	22.4	22.5	20.1	20.8	15.5
	kW	3.94	4.13	4.18	3.81	3.44	3.78	3.88	4.12	3.70	3.42	3.62	3.63	4.06	3.60	3.39

NOTE: ALL CAPACITIES INCLUDE INDOOR FAN HEAT. kW VALUES ARE FOR THE SYSTEM (OUTDOOR + INDOOR).

Green shaded cells are ACCA (TVA) conditions.

Blue shaded cells are AHRI conditions.

Multipliers for determining the performance with other indoor sections.

NOTE: For dry bulb temperatures different than those listed (between 73°F to 87°F), sensible capacity increases by 1060 BTUH per 1000 CFM per degree above the listed temperature and decreases by 1060 BTUH per 1000 CFM per degree below the listed temperature.

Air Handlers	Coils	T.C.	S.C.	kW
–	FC/MC/PC32	1.00	1.00	1.00
–	FC/MC/PC35	1.00	1.00	1.00
–	FC/MC/PC37	1.01	1.02	1.00
–	FC/MC/PC43	1.01	1.02	1.00
–	FC/MC/PC48	1.02	1.03	1.00
–	HD36	0.99	0.96	1.00
–	UC48	0.96	0.96	1.00
AHE30B	–	1.01	1.02	0.94
AHE36C	–	1.04	1.05	0.92
AHE42D	–	1.05	1.07	0.90
AHR30B	–	1.01	1.05	1.01
AHR36B	–	1.02	1.05	1.02
AHV30B	–	1.01	1.00	0.99
AHV36C	–	1.02	1.00	0.94

Air Handlers	Coils	T.C.	S.C.	kW
AHV42D	–	1.06	1.10	0.96
MV12B	FC/MC35B	1.02	1.02	0.93
MV12B	FC/MC43B	1.04	1.04	0.93
MV16C	FC/MC35C	1.02	1.02	0.93
MV16C	FC/MC43C	1.04	1.04	0.92
MV16C	FC/MC48C	1.05	1.05	0.92
MX12BN21	FC/MC35B	1.02	1.03	0.94
MX12BN21	FC/MC43B	1.04	1.05	0.93
MX12DN21	FC/MC48D	1.04	1.04	0.92
MX16CN21	FC/MC35C	1.02	1.03	0.94
MX16CN21	FC/MC43C	1.03	1.03	0.91
MX16CN21	FC/MC48C	1.04	1.04	0.90
MX20DN21	FC/MC48D	1.04	1.05	0.97

Furnaces	Coils	T.C.	S.C.	kW
T*(8,L)C*A12	FC/MC/PC32A	1.00	1.01	0.99
T*(8,L)C*A12	FC/MC/PC37A	1.03	1.04	0.96
T*(8,L)C*A12	HD36	1.00	0.97	0.95
T*(8,L)C*B12	FC/MC/PC35B	1.01	1.02	0.95
T*(8,L)C*B12	FC/MC/PC43B	1.03	1.05	0.94
T*(8,L)C*B12	HD36	1.00	0.98	0.92
T*(8,L)C*C16	FC/MC/PC35C	1.01	1.03	0.93
T*(8,L)C*C16	FC/MC/PC43C	1.04	1.05	0.91
T*(8,L)C*C16	HD36	1.01	0.98	0.93
T*(8,L)C*C20	FC/MC/PC35C	1.03	1.07	0.95
T*(8,L)C*C20	FC/MC/PC43C	1.04	1.05	0.91
T*(8,L)C*C20	HD36	1.01	1.01	0.92
T*(8,L)V*A12	FC/MC/PC32A	1.00	1.01	0.99
T*(8,L)V*A12	FC/MC/PC37A	1.03	1.04	0.96
T*(8,L)V*A12	HD36	1.00	0.97	0.95
T*(8,L)V*B12	FC/MC/PC35B	1.01	1.02	0.95
T*(8,L)V*B12	FC/MC/PC43B	1.03	1.05	0.94
T*(8,L)V*B12	HD36	1.00	0.98	0.92
T*(8,L)V*C16	FC/MC/PC35C	1.01	1.03	0.93
T*(8,L)V*C16	FC/MC/PC43C	1.04	1.05	0.91
T*(8,L)V*C16	HD36	1.01	0.98	0.93
T*(8,L)V*C20	FC/MC/PC35C	1.03	1.07	0.95
T*(8,L)V*C20	FC/MC/PC43C	1.04	1.05	0.91
T*(8,L)V*C20	HD36	1.01	1.01	0.92
T*9(C,V)*B12	FC/MC/PC35B	1.01	1.04	0.97
T*9(C,V)*B12	FC/MC/PC43B	1.03	1.04	0.96
T*9(C,V)*B12	HD36	1.00	0.98	0.93
T*9(C,V)*C16	FC/MC/PC35C	1.01	1.03	0.93
T*9(C,V)*C16	FC/MC/PC43C	1.03	1.04	0.94
T*9(C,V)*C16	HD36	1.01	0.98	0.93
T*9(C,V)*C20	FC/MC/PC35C	1.01	1.03	0.93
T*9(C,V)*C20	FC/MC/PC43C	1.04	1.05	0.92
T*9(C,V)*C20	HD36	1.00	0.98	0.92
TM8X060A12MP11	FC/MC/PC32A	1.00	1.01	1.00
TM8X060A12MP11	FC/MC/PC37A	1.01	1.03	1.00
TM8X080B12MP11	FC/MC/PC35B	1.01	1.00	0.95
TM8X080B12MP11	FC/MC/PC43B	1.04	1.05	0.97
TM8X080C16MP11	FC/MC/PC35C	1.03	1.04	0.95
TM8X080C16MP11	FC/MC/PC43C	1.02	1.03	0.94
TM8X080C16MP11	FC/MC/PC48C	1.03	1.03	0.95
TM8X080C16MP11	FC/MC/PC48D	1.03	1.03	0.95
TM8X080C16MP11	UC48C	1.02	1.04	0.94
TM8X080C16MP11	UC48D	1.02	1.04	0.94
TM8X100C16MP11	FC/MC/PC35C	1.03	1.04	0.95
TM8X100C16MP11	FC/MC/PC43C	1.02	1.03	0.94
TM8X100C16MP11	FC/MC/PC48C	1.03	1.03	0.95
TM8X100C16MP11	FC/MC/PC48D	1.03	1.03	0.95
TM8X100C16MP11	UC48C	1.02	1.04	0.94
TM8X100C16MP11	UC48D	1.02	1.04	0.94
TM8X100C20MP11	FC/MC/PC35C	1.02	1.04	0.94
TM8X100C20MP11	FC/MC/PC43C	1.04	1.06	0.96
TM8X100C20MP11	FC/MC/PC48C	1.04	1.05	0.93
TM8X100C20MP11	FC/MC/PC48D	1.04	1.05	0.96
TM8X100C20MP11	UC48C	1.01	1.03	0.95
TM8X100C20MP11	UC48D	1.01	1.03	0.95

Furnaces	Coils	T.C.	S.C.	kW
TM8X120C20MP11	FC/MC/PC35C	1.02	1.04	0.94
TM8X120C20MP11	FC/MC/PC43C	1.04	1.06	0.96
TM8X120C20MP11	FC/MC/PC48C	1.04	1.05	0.93
TM8X120C20MP11	FC/MC/PC48D	1.04	1.05	0.96
TM8X120C20MP11	UC48C	1.01	1.03	0.95
TM8X120C20MP11	UC48D	1.01	1.03	0.95
TM9E060B12MP11	FC/MC/PC35B	1.00	1.00	0.95
TM9E060B12MP11	FC/MC/PC43B	1.01	1.02	0.97
TM9E080B12MP11	FC/MC/PC35B	1.00	1.00	0.95
TM9E080B12MP11	FC/MC/PC43B	1.01	1.02	0.97
TM9E080C16MP11	FC/MC/PC35C	1.02	1.04	0.94
TM9E080C16MP11	FC/MC/PC43C	1.04	1.05	0.96
TM9E080C16MP11	FC/MC/PC48C	1.04	1.05	0.94
TM9E080C16MP11	FC/MC/PC48D	1.04	1.05	0.96
TM9E080C16MP11	UC48C	1.01	1.03	0.95
TM9E080C16MP11	UC48D	1.01	1.03	0.95
TM9E100C16MP11	FC/MC/PC35C	1.02	1.04	0.94
TM9E100C16MP11	FC/MC/PC43C	1.04	1.05	0.96
TM9E100C16MP11	FC/MC/PC48C	1.04	1.05	0.94
TM9E100C16MP11	FC/MC/PC48D	1.04	1.05	0.96
TM9E100C16MP11	UC48C	1.01	1.03	0.95
TM9E100C16MP11	UC48D	1.01	1.03	0.95
TM9E100C20MP11	FC/MC/PC35C	1.01	1.02	1.01
TM9E100C20MP11	FC/MC/PC43C	1.02	1.04	1.00
TM9E100C20MP11	FC/MC/PC48C	1.02	1.03	1.00
TM9E100C20MP11	FC/MC/PC48D	1.03	1.03	1.01
TM9E100C20MP11	UC48C	1.00	1.02	1.00
TM9E100C20MP11	UC48D	1.01	1.02	1.01
TM9E120D20MP11	FC/MC/PC48D	1.03	1.04	1.01
TM9E120D20MP11	UC48D	1.01	1.02	1.01
TM9X060B12MP11	FC/MC/PC35B	1.00	1.00	0.95
TM9X060B12MP11	FC/MC/PC43B	1.01	1.02	0.97
TM9X080B12MP11	FC/MC/PC35B	1.00	1.00	0.95
TM9X080B12MP11	FC/MC/PC43B	1.01	1.02	0.97
TM9X080C16MP11	FC/MC/PC35C	1.02	1.04	0.94
TM9X080C16MP11	FC/MC/PC43C	1.04	1.05	0.96
TM9X080C16MP11	FC/MC/PC48C	1.04	1.05	0.94
TM9X080C16MP11	FC/MC/PC48D	1.04	1.05	0.96
TM9X080C16MP11	UC48C	1.01	1.03	0.95
TM9X080C16MP11	UC48D	1.01	1.03	0.95
TM9X100C16MP11	FC/MC/PC35C	1.02	1.04	0.94
TM9X100C16MP11	FC/MC/PC43C	1.04	1.05	0.96
TM9X100C16MP11	FC/MC/PC48C	1.04	1.05	0.94
TM9X100C16MP11	FC/MC/PC48D	1.04	1.05	0.96
TM9X100C16MP11	UC48C	1.01	1.03	0.95
TM9X100C16MP11	UC48D	1.01	1.03	0.95
TM9X100C20MP11	FC/MC/PC35C	1.01	1.02	1.01
TM9X100C20MP11	FC/MC/PC43C	1.02	1.04	1.00
TM9X100C20MP11	FC/MC/PC48C	1.02	1.03	1.00
TM9X100C20MP11	FC/MC/PC48D	1.03	1.03	1.01
TM9X100C20MP11	UC48C	1.00	1.02	1.00
TM9X100C20MP11	UC48D	1.01	1.02	1.01
TM9X120D20MP11	FC/MC/PC48D	1.03	1.04	1.01
TM9X120D20MP11	UC48D	1.01	1.02	1.01
TMLX060A12MP11	FC/MC/PC32A	1.00	1.01	1.00
TMLX060A12MP11	FC/MC/PC37A	1.01	1.03	1.00

Furnaces	Coils	T.C.	S.C.	kW
TMLX080B12MP11	FC/MC/PC35B	1.01	1.00	0.95
TMLX080B12MP11	FC/MC/PC43B	1.04	1.05	0.97
TMLX080C16MP11	FC/MC/PC35C	1.03	1.04	0.95
TMLX080C16MP11	FC/MC/PC43C	1.02	1.03	0.94
TMLX080C16MP11	FC/MC/PC48C	1.03	1.03	0.95
TMLX080C16MP11	FC/MC/PC48D	1.03	1.03	0.95
TMLX080C16MP11	UC48C	1.02	1.04	0.94
TMLX080C16MP11	UC48D	1.02	1.04	0.94
TMLX100C16MP11	FC/MC/PC35C	1.03	1.04	0.95
TMLX100C16MP11	FC/MC/PC43C	1.02	1.03	0.94
TMLX100C16MP11	FC/MC/PC48C	1.03	1.03	0.95
TMLX100C16MP11	FC/MC/PC48D	1.03	1.03	0.95
TMLX100C16MP11	UC48C	1.02	1.04	0.94
TMLX100C16MP11	UC48D	1.02	1.04	0.94
TMLX100C20MP11	FC/MC/PC35C	1.02	1.04	0.94
TMLX100C20MP11	FC/MC/PC43C	1.04	1.06	0.96
TMLX100C20MP11	FC/MC/PC48C	1.04	1.05	0.93
TMLX100C20MP11	FC/MC/PC48D	1.04	1.05	0.96
TMLX100C20MP11	UC48C	1.01	1.03	0.95
TMLX100C20MP11	UC48D	1.01	1.03	0.95
TMLX120C20MP11	FC/MC/PC35C	1.02	1.04	0.94
TMLX120C20MP11	FC/MC/PC43C	1.04	1.06	0.96
TMLX120C20MP11	FC/MC/PC48C	1.04	1.05	0.93
TMLX120C20MP11	FC/MC/PC48D	1.04	1.05	0.96
TMLX120C20MP11	UC48C	1.01	1.03	0.95

Furnaces	Coils	T.C.	S.C.	kW
TMLX120C20MP11	UC48D	1.01	1.03	0.95
C*(8,L)C*A12	FC/MC/PC32A	1.00	1.01	0.99
C*(8,L)C*A12	FC/MC/PC37A	1.03	1.04	0.96
C*(8,L)C*A12	HD36	1.00	0.97	0.95
C*(8,L)C*B12	FC/MC/PC35B	1.01	1.02	0.95
C*(8,L)C*B12	FC/MC/PC43B	1.03	1.05	0.94
C*(8,L)C*B12	HD36	1.00	0.98	0.92
C*(8,L)C*C16	FC/MC/PC35C	1.01	1.03	0.93
C*(8,L)C*C16	FC/MC/PC43C	1.04	1.05	0.91
C*(8,L)C*C16	HD36	1.01	0.98	0.93
C*(8,L)C*C20	FC/MC/PC35C	1.03	1.07	0.95
C*(8,L)C*C20	FC/MC/PC43C	1.04	1.05	0.91
C*(8,L)C*C20	HD36	1.01	1.01	0.92
C*9C*B12	FC/MC/PC35B	1.01	1.04	0.97
C*9C*B12	FC/MC/PC43B	1.03	1.04	0.96
C*9C*B12	HD36	1.00	0.98	0.93
C*9C*C16	FC/MC/PC35C	1.01	1.03	0.93
C*9C*C16	FC/MC/PC43C	1.03	1.04	0.94
C*9C*C16	HD36	1.01	0.98	0.93
C*9C*C20	FC/MC/PC35C	1.01	1.03	0.93
C*9C*C20	FC/MC/PC43C	1.04	1.05	0.92
C*9C*C20	HD36	1.00	0.98	0.92

PERFORMANCE DATA - 2.5 TON - ALUMINUM MATCHED SYSTEMS

COOLING PERFORMANCE DATA																
AIR CONDITIONER MODEL NO.		TCHD30S4(3,4)S3														
INDOOR COIL MODEL NO.		CF/CM30C														
AIR TEMP. ENTERING OUTDOOR UNIT (°F)	ID CFM	800					1000					1200				
	ID DB (°F)	80	80	75	80	80	80	80	75	80	80	80	80	80	80	80
	ID WB (°F)	57	62	62	67	72	57	62	62	67	72	57	62	62	67	72
65	T.C.	28.3	29.7	30.0	31.6	32.9	29.9	30.9	30.9	32.8	34.6	31.4	32.2	31.8	34.0	36.2
	S.C.	27.0	24.8	21.0	20.8	16.1	28.5	27.8	23.5	22.9	17.4	30.1	30.8	26.0	25.0	18.8
	kW	1.74	1.77	1.74	1.77	1.77	1.76	1.76	1.74	1.78	1.77	1.78	1.75	1.74	1.78	1.78
75	T.C.	27.1	28.0	28.0	30.5	32.3	28.8	29.3	29.3	31.5	33.3	30.5	30.6	30.6	32.6	34.4
	S.C.	25.9	24.2	20.2	20.1	15.6	27.6	26.7	22.6	22.3	17.0	29.2	29.3	25.0	24.4	18.4
	kW	2.03	2.03	2.05	2.03	2.01	2.03	2.02	2.04	2.02	2.01	2.02	2.02	2.03	2.02	2.02
85	T.C.	26.0	26.3	26.1	29.3	31.7	27.8	27.6	27.7	30.3	32.1	29.6	29.0	29.3	31.2	32.5
	S.C.	24.9	23.5	19.3	19.5	15.2	26.6	25.7	21.6	21.6	16.6	28.3	27.8	23.9	23.8	18.0
	kW	2.32	2.29	2.35	2.28	2.26	2.29	2.29	2.33	2.27	2.25	2.26	2.29	2.31	2.27	2.25
95	T.C.	24.8	24.5	24.2	28.2	31.0	26.8	26.0	26.1	29.0	30.8	28.7	27.5	28.0	29.8	30.6
	S.C.	23.8	22.9	18.5	18.8	14.7	25.6	24.6	20.7	21.0	16.1	27.5	26.3	22.8	23.2	17.5
	kW	2.61	2.55	2.66	2.53	2.50	2.56	2.55	2.63	2.52	2.50	2.50	2.56	2.60	2.51	2.49
105	T.C.	23.2	23.4	23.0	25.9	28.7	25.2	25.0	24.6	27.1	28.8	27.1	26.5	26.2	28.3	28.9
	S.C.	22.2	21.8	17.8	18.0	14.1	24.0	23.4	19.9	20.3	15.5	25.8	25.1	22.0	22.5	16.9
	kW	3.17	3.20	3.29	3.07	2.92	3.08	3.11	3.25	3.03	2.90	2.98	3.02	3.21	2.98	2.89
115	T.C.	21.7	22.3	21.9	23.7	26.5	23.6	23.9	23.1	25.2	26.9	25.6	25.6	24.4	26.8	27.3
	S.C.	20.7	20.7	17.2	17.3	13.6	22.5	22.3	19.2	19.5	14.9	24.3	23.9	21.2	21.8	16.3
	kW	3.71	3.83	3.90	3.59	3.32	3.58	3.65	3.85	3.51	3.30	3.45	3.47	3.80	3.43	3.27
125	T.C.	20.2	21.2	20.8	21.5	24.3	22.1	22.9	21.7	23.4	24.9	24.0	24.7	22.6	25.3	25.6
	S.C.	19.2	19.6	16.6	16.6	13.0	21.0	21.2	18.5	18.8	14.4	22.7	22.8	20.4	21.1	15.7
	kW	4.26	4.46	4.51	4.11	3.72	4.09	4.19	4.45	4.00	3.69	3.91	3.93	4.38	3.89	3.66

NOTE: ALL CAPACITIES INCLUDE INDOOR FAN HEAT. KW VALUES ARE FOR THE SYSTEM (OUTDOOR + INDOOR).

Green shaded cells are ACCA (TVA) conditions.

Blue shaded cells are AHRI conditions.

Multipliers for determining the performance with other indoor sections.

NOTE: For dry bulb temperatures different than those listed (between 73°F to 87°F), sensible capacity increases by 1060 BTUH per 1000 CFM per degree above the listed temperature and decreases by 1060 BTUH per 1000 CFM per degree below the listed temperature.

Air Handlers	Coils	T.C.	S.C.	kW
-	CF/CM/CU30B	1.03	1.12	0.96
-	CF/CM/CU36B	1.00	1.14	1.00
-	CF/CM/CU36C	1.00	1.14	1.00
-	CF/CM/CU42C	1.03	1.14	1.03
-	CF/CM/CU48C	1.03	1.14	1.03
-	CF/CM/CU48D	1.03	1.14	1.03
-	CF/CM36D	1.00	1.14	1.00
-	CF/CM42D	1.03	1.14	1.03
-	CF42B	1.03	1.14	1.03
AE30BX21	-	1.03	1.17	0.97
AE36BX21	-	1.03	1.13	0.97
AE36CX21	-	1.03	1.16	0.97
AE42CX21	-	1.03	1.14	0.95
AE48CX21	-	1.03	1.21	0.95
AE48DX21	-	1.03	1.21	0.95
AP30BX21	-	1.01	1.04	0.95
AP36BX21	-	1.00	1.21	1.00
AP36CX21	-	1.00	1.22	1.00
AP37CX21	-	1.06	1.23	0.97
AVC30BX21	-	1.03	1.17	0.97
AVC36BX21	-	1.03	1.13	0.97
AVC36CX21	-	1.01	1.02	0.93

Air Handlers	Coils	T.C.	S.C.	kW
AVC42CX21	-	1.03	1.15	0.95
AVC48CX21	-	1.03	1.18	0.95
AVC48DX21	-	1.03	1.06	0.95
ME08BN21	CF/CM30B	1.03	1.07	0.95
ME08BN21	CF/CM36B	1.03	1.09	0.95
ME08BN21	CF42B	1.03	1.09	0.95
ME12BN21	CF/CM30B	1.03	1.14	0.97
ME12BN21	CF/CM36B	1.01	1.04	0.95
ME12BN21	CF42B	1.02	1.04	0.94
ME12CN21	CF/CM30C	1.00	1.02	0.94
ME12CN21	CF/CM36C	1.03	1.16	0.95
ME12CN21	CF/CM42C	1.03	1.16	0.95
ME12CN21	CF/CM48C	1.03	1.17	0.95
ME14DN21	CF/CM36D	1.03	1.17	0.95
ME14DN21	CF/CM42D	1.03	1.15	0.95
ME14DN21	CF/CM48D	1.03	1.15	0.95
ME16CN21	CF/CM30C	1.03	1.17	0.97
ME16CN21	CF/CM36C	1.02	1.06	0.94
ME16CN21	CF/CM42C	1.03	1.07	0.95
ME16CN21	CF/CM48C	1.03	1.10	0.95
ME12BN41	CF/CM30B	1.00	1.02	1.01
ME12BN41	CF/CM36B	1.01	1.03	1.01

Air Handlers	Coils	T.C.	S.C.	kW
ME12BN41	CF42B	1.01	1.03	1.01
ME12CN41	CF/CM30C	1.01	1.11	1.01
ME12CN41	CF/CM36C	1.01	1.12	1.01
ME12CN41	CF/CM42C	1.01	1.12	1.01
ME12CN41	CF/CM48C	1.01	1.13	1.01
ME14DN41	CF/CM36D	1.01	1.13	1.01
ME14DN41	CF/CM42D	1.01	1.14	1.01
ME14DN41	CF/CM48D	1.01	1.15	1.01
ME16CN41	CF/CM30C	1.01	1.17	1.01
ME16CN41	CF/CM36C	1.01	1.17	1.01
ME16CN41	CF/CM42C	1.01	1.19	1.01
ME16CN41	CF/CM48C	1.01	1.18	1.01
MVC08BN21	CF/CM30B	1.02	1.04	0.94
MVC08BN21	CF/CM36B	1.03	1.05	0.95
MVC08BN21	CF42B	1.03	1.07	0.95
MVC12BN21	CF/CM30B	1.03	1.17	0.97
MVC12BN21	CF/CM36B	1.03	1.16	0.97
MVC12BN21	CF42B	1.03	1.17	0.95
MVC12CN21	CF/CM30C	1.03	1.12	0.96
MVC12CN21	CF/CM36C	1.03	1.13	0.97
MVC12CN21	CF/CM42C	1.02	1.05	0.94
MVC12CN21	CF/CM48C	1.03	1.06	0.95
MVC14DN21	CF/CM36D	1.03	1.22	0.95
MVC14DN21	CF/CM42D	1.03	1.22	0.95
MVC14DN21	CF/CM48D	1.03	1.23	0.95
MVC16CN21	CF/CM30C	1.03	1.14	0.96
MVC16CN21	CF/CM36C	1.03	1.16	0.97
MVC16CN21	CF/CM42C	1.03	1.15	0.95
MVC16CN21	CF/CM48C	1.03	1.15	0.95
MVC20DN21	CF/CM36D	1.03	1.26	0.95
MVC20DN21	CF/CM42D	1.03	1.27	0.95
MVC20DN21	CF/CM48D	1.03	1.28	0.95

Furnaces	Coils	T.C.	S.C.	kW
TM8E040A12MP11	CF/CM/CU30B	1.03	1.07	0.95
TM8E040A12MP11	CF/CM/CU36B	1.03	1.08	0.95
TM8E040A12MP11	CF42B	1.03	1.06	0.95
TM8E060A12MP11	CF/CM/CU30B	1.03	1.07	0.95
TM8E060A12MP11	CF/CM/CU36B	1.03	1.08	0.95
TM8E060A12MP11	CF42B	1.02	1.02	0.94
TM8E080B12MP11	CF/CM/CU30B	1.03	1.09	0.95
TM8E080B12MP11	CF/CM/CU36B	1.03	1.08	0.95
TM8E080B12MP11	CF/CM/CU36C	1.03	1.08	0.95
TM8E080B12MP11	CF/CM/CU42C	1.03	1.09	0.95
TM8E080B12MP11	CF/CM/CU48C	1.03	1.09	0.95
TM8E080B12MP11	CF/CM30C	1.03	1.09	0.95
TM8E080B12MP11	CF42B	1.03	1.09	0.95
TM8E080C16MP11	CF/CM/CU36C	1.03	1.12	0.95
TM8E080C16MP11	CF/CM/CU42C	1.03	1.13	0.95
TM8E080C16MP11	CF/CM/CU48C	1.03	1.03	0.95
TM8E080C16MP11	CF/CM/CU48D	1.03	1.13	0.95
TM8E080C16MP11	CF/CM30C	1.03	1.12	0.95
TM8E080C16MP11	CF/CM36D	1.03	1.12	0.95
TM8E080C16MP11	CF/CM42D	1.03	1.13	0.95
TM8E100B12MP11	CF/CM/CU30B	1.02	1.04	0.94
TM8E100B12MP11	CF/CM/CU36B	1.03	1.05	0.95
TM8E100B12MP11	CF/CM/CU36C	1.03	1.05	0.95

Furnaces	Coils	T.C.	S.C.	kW
TM8E100B12MP11	CF/CM/CU42C	1.03	1.07	0.95
TM8E100B12MP11	CF/CM/CU48C	1.03	1.06	0.95
TM8E100B12MP11	CF/CM30C	1.03	1.10	0.95
TM8E100B12MP11	CF42B	1.02	1.02	0.94
TM8E100C16MP11	CF/CM/CU36C	1.03	1.11	0.95
TM8E100C16MP11	CF/CM/CU42C	1.03	1.11	0.95
TM8E100C16MP11	CF/CM/CU48C	1.03	1.13	0.95
TM8E100C16MP11	CF/CM/CU48D	1.03	1.13	0.95
TM8E100C16MP11	CF/CM30C	1.03	1.11	0.95
TM8E100C16MP11	CF/CM36D	1.03	1.12	0.95
TM8E100C16MP11	CF/CM42D	1.03	1.13	0.95
TM8E120C16MP11	CF/CM/CU36C	1.03	1.12	0.95
TM8E120C16MP11	CF/CM/CU42C	1.03	1.13	0.95
TM8E120C16MP11	CF/CM/CU48C	1.03	1.13	0.95
TM8E120C16MP11	CF/CM/CU48D	1.03	1.13	0.95
TM8E120C16MP11	CF/CM30C	1.03	1.12	0.95
TM8E120C16MP11	CF/CM36D	1.03	1.12	0.95
TM8E120C16MP11	CF/CM42D	1.03	1.13	0.95
TM8V060A12MP12C	CF/CM/CU30B	1.01	1.05	0.95
TM8V060A12MP12C	CF/CM/CU36B	1.03	1.16	0.97
TM8V060A12MP12C	CF/CM36A	1.02	1.06	0.94
TM8V060A12MP12C	CF42B	1.03	1.17	0.95
TM8V080B12MP12C	CF/CM/CU30B	1.00	1.02	0.94
TM8V080B12MP12C	CF/CM/CU36B	1.01	1.02	0.93
TM8V080B12MP12C	CF/CM/CU36C	1.01	1.02	0.93
TM8V080B12MP12C	CF/CM/CU42C	1.03	1.13	0.95
TM8V080B12MP12C	CF/CM/CU48C	1.03	1.14	0.95
TM8V080B12MP12C	CF/CM30C	1.03	1.12	0.96
TM8V080B12MP12C	CF42B	1.03	1.13	0.95
TM8V080C16MP12C	CF/CM/CU36C	1.01	1.05	0.95
TM8V080C16MP12C	CF/CM/CU42C	1.02	1.05	0.94
TM8V080C16MP12C	CF/CM/CU48C	1.03	1.15	0.95
TM8V080C16MP12C	CF/CM/CU48D	1.03	1.10	0.95
TM8V080C16MP12C	CF/CM30C	1.01	1.05	0.95
TM8V080C16MP12C	CF/CM36D	1.01	1.05	0.95
TM8V080C16MP12C	CF/CM42D	1.02	1.05	0.94
TM8V100C16MP12C	CF/CM/CU36C	1.03	1.23	0.95
TM8V100C20MP12C	CF/CM/CU42C	1.03	1.24	0.95
TM8V100C20MP12C	CF/CM/CU48C	1.03	1.25	0.95
TM8V100C20MP12C	CF/CM/CU48D	1.03	1.25	0.95
TM8V100C20MP12C	CF/CM30C	1.03	1.14	0.95
TM8V100C20MP12C	CF/CM36D	1.03	1.24	0.95
TM8V100C20MP12C	CF/CM42D	1.03	1.24	0.95
TM8V120C20MP12C	CF/CM/CU36C	1.03	1.23	0.95
TM8V120C20MP12C	CF/CM/CU42C	1.03	1.24	0.95
TM8V120C20MP12C	CF/CM/CU48C	1.03	1.25	0.95
TM8V120C20MP12C	CF/CM30C	1.03	1.14	0.95
TM8V120C20MP12C	CF/CM36D	1.03	1.24	0.95

Furnaces	Coils	T.C.	S.C.	kW
TM8V120C20MP12C	CF/CM42D	1.03	1.24	0.95
TM8X060A12MP11	CF/CM/CU30B	1.03	1.11	0.95
TM8X060A12MP11	CF/CM/CU36B	1.03	1.10	0.95
TM8X060A12MP11	CF42B	1.03	1.11	0.95
TM8X080B12MP11	CF/CM/CU30B	1.02	1.04	0.94
TM8X080B12MP11	CF/CM/CU36B	1.03	1.05	0.95
TM8X080B12MP11	CF/CM/CU36C	1.03	1.05	0.95
TM8X080B12MP11	CF/CM/CU42C	1.03	1.05	0.95
TM8X080B12MP11	CF/CM/CU48C	1.03	1.06	0.95
TM8X080B12MP11	CF/CM30C	1.02	1.04	0.94
TM8X080B12MP11	CF42B	1.02	1.02	0.94
TM8X080C16MP11	CF/CM/CU36C	1.03	1.12	0.95
TM8X080C16MP11	CF/CM/CU42C	1.03	1.13	0.95
TM8X080C16MP11	CF/CM/CU48C	1.03	1.13	0.95
TM8X080C16MP11	CF/CM/CU48D	1.03	1.15	0.95
TM8X080C16MP11	CF/CM30C	1.03	1.12	0.95
TM8X080C16MP11	CF/CM36D	1.03	1.13	0.95
TM8X080C16MP11	CF/CM42D	1.03	1.15	0.95
TM8X100C16MP11	CF/CM/CU36C	1.03	1.12	0.95
TM8X100C16MP11	CF/CM/CU42C	1.03	1.13	0.95
TM8X100C16MP11	CF/CM/CU48C	1.03	1.13	0.95
TM8X100C16MP11	CF/CM/CU48D	1.03	1.15	0.95
TM8X100C16MP11	CF/CM30C	1.03	1.12	0.95
TM8X100C16MP11	CF/CM36D	1.03	1.13	0.95
TM8X100C16MP11	CF/CM42D	1.03	1.15	0.95
TM8X100C20MP11	CF/CM/CU36C	1.03	1.16	0.95
TM8X100C20MP11	CF/CM/CU42C	1.03	1.16	0.95
TM8X100C20MP11	CF/CM/CU48C	1.03	1.16	0.95
TM8X100C20MP11	CF/CM/CU48D	1.03	1.16	0.95
TM8X100C20MP11	CF/CM30C	1.03	1.15	0.95
TM8X100C20MP11	CF/CM36D	1.03	1.16	0.95
TM8X100C20MP11	CF/CM42D	1.03	1.16	0.95
TM8X120C20MP11	CF/CM/CU36C	1.03	1.16	0.95
TM8X120C20MP11	CF/CM/CU42C	1.03	1.16	0.95
TM8X120C20MP11	CF/CM/CU48C	1.03	1.16	0.95
TM8X120C20MP11	CF/CM/CU48D	1.03	1.16	0.95
TM8X120C20MP11	CF/CM30C	1.03	1.15	0.95
TM8X120C20MP11	CF/CM36D	1.03	1.16	0.95
TM8X120C20MP11	CF/CM42D	1.03	1.16	0.95
TM8Y060A12MP11	CF/CM/CU30B	1.03	1.11	0.95
TM8Y060A12MP11	CF/CM/CU36B	1.03	1.10	0.95
TM8Y060A12MP11	CF42B	1.03	1.11	0.95
TM8Y080B12MP11	CF/CM/CU30B	1.02	1.04	0.94
TM8Y080B12MP11	CF/CM/CU36B	1.03	1.05	0.95
TM8Y080B12MP11	CF/CM/CU36C	1.03	1.05	0.95
TM8Y080B12MP11	CF/CM/CU42C	1.03	1.05	0.95
TM8Y080B12MP11	CF/CM/CU48C	1.03	1.06	0.95
TM8Y080B12MP11	CF/CM30C	1.02	1.04	0.94
TM8Y080B12MP11	CF42B	1.02	1.02	0.94
TM8Y080C16MP11	CF/CM/CU36C	1.03	1.12	0.95
TM8Y080C16MP11	CF/CM/CU42C	1.03	1.13	0.95
TM8Y080C16MP11	CF/CM/CU48C	1.03	1.13	0.95
TM8Y080C16MP11	CF/CM/CU48D	1.03	1.15	0.95
TM8Y080C16MP11	CF/CM30C	1.03	1.12	0.95
TM8Y080C16MP11	CF/CM36D	1.03	1.13	0.95
TM8Y080C16MP11	CF/CM42D	1.03	1.15	0.95

Furnaces	Coils	T.C.	S.C.	kW
TM8Y100C16MP11	CF/CM/CU36C	1.03	1.12	0.95
TM8Y100C16MP11	CF/CM/CU42C	1.03	1.13	0.95
TM8Y100C16MP11	CF/CM/CU48C	1.03	1.13	0.95
TM8Y100C16MP11	CF/CM/CU48D	1.03	1.15	0.95
TM8Y100C16MP11	CF/CM30C	1.03	1.12	0.95
TM8Y100C16MP11	CF/CM36D	1.03	1.13	0.95
TM8Y100C16MP11	CF/CM42D	1.03	1.15	0.95
TM8Y100C20MP11	CF/CM/CU36C	1.03	1.16	0.95
TM8Y100C20MP11	CF/CM/CU42C	1.03	1.16	0.95
TM8Y100C20MP11	CF/CM/CU48C	1.03	1.16	0.95
TM8Y100C20MP11	CF/CM/CU48D	1.03	1.16	0.95
TM8Y100C20MP11	CF/CM30C	1.03	1.15	0.95
TM8Y100C20MP11	CF/CM36D	1.03	1.16	0.95
TM8Y100C20MP11	CF/CM42D	1.03	1.16	0.95
TM8Y120C20MP11	CF/CM/CU36C	1.03	1.16	0.95
TM8Y120C20MP11	CF/CM/CU42C	1.03	1.16	0.95
TM8Y120C20MP11	CF/CM/CU48C	1.03	1.16	0.95
TM8Y120C20MP11	CF/CM/CU48D	1.03	1.16	0.95
TM8Y120C20MP11	CF/CM30C	1.03	1.15	0.95
TM8Y120C20MP11	CF/CM36D	1.03	1.16	0.95
TM8Y120C20MP11	CF/CM42D	1.03	1.16	0.95
TM9E040A10MP11	CF/CM/CU30B	1.03	1.14	0.96
TM9E040A10MP11	CF/CM/CU36B	1.03	1.16	0.97
TM9E040A10MP11	CF/CM36A	1.03	1.11	0.96
TM9E040A10MP11	CF42B	1.03	1.15	0.95
TM9E040A10MP12	CF/CM/CU30B	1.01	1.01	0.93
TM9E040A10MP12	CF/CM/CU36B	1.01	1.02	0.93
TM9E040A10MP12	CF42B	1.01	1.02	0.93
TM9E060A10MP12	CF/CM/CU30B	1.01	1.03	0.93
TM9E060A10MP12	CF/CM/CU36B	1.02	1.04	0.94
TM9E060A10MP12	CF42B	1.03	1.04	0.95
TM9E060B12MP11	CF/CM/CU30B	1.02	1.05	0.94
TM9E060B12MP11	CF/CM/CU36B	1.03	1.04	0.95
TM9E060B12MP11	CF/CM/CU36C	1.03	1.08	0.95
TM9E060B12MP11	CF/CM/CU42C	1.03	1.08	0.95
TM9E060B12MP11	CF/CM/CU48C	1.03	1.09	0.95
TM9E060B12MP11	CF/CM30C	1.03	1.07	0.95
TM9E060B12MP11	CF42B	1.03	1.06	0.95
TM9E060B12MP12	CF/CM/CU30B	1.03	1.10	0.95
TM9E060B12MP12	CF/CM/CU36B	1.03	1.10	0.95
TM9E060B12MP12	CF/CM/CU36C	1.03	1.12	0.95
TM9E060B12MP12	CF/CM/CU42C	1.03	1.12	0.95
TM9E060B12MP12	CF/CM/CU48C	1.03	1.12	0.95
TM9E060B12MP12	CF/CM30C	1.03	1.11	0.95
TM9E060B12MP12	CF42B	1.03	1.10	0.95
TM9E080B12MP11	CF/CM/CU30B	1.01	1.05	0.95
TM9E080B12MP11	CF/CM/CU36B	1.01	1.05	0.95
TM9E080B12MP11	CF/CM/CU36C	1.03	1.13	0.97
TM9E080B12MP11	CF/CM/CU42C	1.03	1.13	0.95
TM9E080B12MP11	CF/CM/CU48C	1.03	1.14	0.95
TM9E080B12MP11	CF/CM30C	1.03	1.12	0.96
TM9E080B12MP11	CF42B	1.02	1.05	0.94
TM9E080B12MP12	CF/CM/CU30B	1.03	1.11	0.95
TM9E080B12MP12	CF/CM/CU36B	1.03	1.11	0.95
TM9E080B12MP12	CF/CM/CU36C	1.02	1.03	0.94
TM9E080B12MP12	CF/CM/CU42C	1.02	1.02	0.94

Furnaces	Coils	T.C.	S.C.	kW
TM9E080B12MP12	CF/CM/CU48C	1.03	1.02	0.95
TM9E080B12MP12	CF/CM30C	1.01	1.02	0.93
TM9E080B12MP12	CF42B	1.03	1.11	0.95
TM9E080C16MP11	CF/CM/CU36C	1.03	1.13	0.95
TM9E080C16MP11	CF/CM/CU42C	1.03	1.14	0.95
TM9E080C16MP11	CF/CM/CU48C	1.03	1.15	0.95
TM9E080C16MP11	CF/CM/CU48D	1.03	1.15	0.95
TM9E080C16MP11	CF/CM30C	1.03	1.13	0.95
TM9E080C16MP11	CF/CM36D	1.03	1.13	0.95
TM9E080C16MP11	CF/CM42D	1.03	1.14	0.95
TM9E080C16MP12	CF/CM/CU36C	1.03	1.08	0.95
TM9E080C16MP12	CF/CM/CU42C	1.03	1.09	0.95
TM9E080C16MP12	CF/CM/CU48C	1.03	1.10	0.95
TM9E080C16MP12	CF/CM/CU48D	1.03	1.10	0.95
TM9E080C16MP12	CF/CM30C	1.03	1.07	0.95
TM9E080C16MP12	CF/CM36D	1.03	1.09	0.95
TM9E080C16MP12	CF/CM42D	1.03	1.10	0.95
TM9E100C16MP11	CF/CM/CU36C	1.03	1.11	0.96
TM9E100C16MP11	CF/CM/CU42C	1.03	1.11	0.95
TM9E100C16MP11	CF/CM/CU48C	1.03	1.14	0.95
TM9E100C16MP11	CF/CM/CU48D	1.03	1.17	0.95
TM9E100C16MP11	CF/CM30C	1.03	1.11	0.96
TM9E100C16MP11	CF/CM36D	1.03	1.13	0.97
TM9E100C16MP11	CF/CM42D	1.03	1.13	0.95
TM9E100C16MP12	CF/CM/CU36C	1.03	1.11	0.95
TM9E100C16MP12	CF/CM/CU42C	1.03	1.11	0.95
TM9E100C16MP12	CF/CM/CU48C	1.03	1.12	0.95
TM9E100C16MP12	CF/CM/CU48D	1.03	1.13	0.95
TM9E100C16MP12	CF/CM30C	1.03	1.11	0.95
TM9E100C16MP12	CF/CM36D	1.03	1.12	0.95
TM9E100C16MP12	CF/CM42D	1.03	1.13	0.95
TM9E100C20MP11	CF/CM/CU36C	1.03	1.25	0.95
TM9E100C20MP11	CF/CM/CU42C	1.03	1.25	0.95
TM9E100C20MP11	CF/CM/CU48C	1.03	1.27	0.95
TM9E100C20MP11	CF/CM/CU48D	1.03	1.26	0.95
TM9E100C20MP11	CF/CM30C	1.03	1.16	0.95
TM9E100C20MP11	CF/CM36D	1.03	1.26	0.95
TM9E100C20MP11	CF/CM42D	1.03	1.26	0.95
TM9E100C20MP12	CF/CM/CU36C	1.03	1.26	0.95
TM9E100C20MP12	CF/CM30C	1.03	1.17	0.95
TM9E120D20MP11	CF/CM/CU48D	1.03	1.14	0.95
TM9E120D20MP11	CF/CM36D	1.03	1.11	0.96
TM9E120D20MP11	CF/CM42D	1.03	1.10	0.95
TM9V040A10MP12C	CF/CM/CU30B	1.01	1.01	0.93
TM9V040A10MP12C	CF/CM/CU36B	1.01	1.02	0.93
TM9V040A10MP12C	CF42B	1.01	1.02	0.93
TM9V060B12MP12C	CF/CM/CU30B	1.01	1.05	0.95
TM9V060B12MP12C	CF/CM/CU36B	1.01	1.05	0.95
TM9V060B12MP12C	CF/CM/CU36C	1.01	1.05	0.95
TM9V060B12MP12C	CF/CM/CU42C	1.03	1.13	0.95
TM9V060B12MP12C	CF/CM/CU48C	1.03	1.14	0.95
TM9V060B12MP12C	CF/CM30C	1.01	1.05	0.95
TM9V060B12MP12C	CF42B	1.02	1.05	0.94
TM9V080B12MP12C	CF/CM/CU30B	1.03	1.17	0.97
TM9V080B12MP12C	CF/CM/CU36B	1.03	1.16	0.97
TM9V080B12MP12C	CF/CM/CU36C	1.00	1.00	0.94

Furnaces	Coils	T.C.	S.C.	kW
TM9V080B12MP12C	CF/CM/CU42C	1.01	1.00	0.93
TM9V080B12MP12C	CF/CM/CU48C	1.01	1.01	0.93
TM9V080B12MP12C	CF/CM30C	1.01	1.05	0.95
TM9V080B12MP12C	CF42B	1.03	1.17	0.95
TM9V080C16MP12C	CF/CM/CU36C	1.03	1.16	0.97
TM9V080C16MP12C	CF/CM/CU42C	1.03	1.15	0.95
TM9V080C16MP12C	CF/CM/CU48C	1.03	1.15	0.95
TM9V080C16MP12C	CF/CM/CU48D	1.03	1.13	0.95
TM9V080C16MP12C	CF/CM30C	1.03	1.14	0.96
TM9V080C16MP12C	CF/CM36D	1.03	1.16	0.97
TM9V080C16MP12C	CF/CM42D	1.03	1.15	0.95
TM9V100C16MP12C	CF/CM/CU36C	1.03	1.13	0.97
TM9V100C16MP12C	CF/CM/CU42C	1.03	1.13	0.95
TM9V100C16MP12C	CF/CM/CU48C	1.03	1.18	0.95
TM9V100C16MP12C	CF/CM/CU48D	1.03	1.10	0.95
TM9V100C16MP12C	CF/CM30C	1.03	1.12	0.96
TM9V100C16MP12C	CF/CM36D	1.03	1.16	0.97
TM9V100C16MP12C	CF/CM42D	1.03	1.17	0.95
TM9V100C20MP12C	CF/CM/CU36C	1.03	1.20	0.97
TM9V100C20MP12C	CF/CM/CU42C	1.03	1.19	0.95
TM9V100C20MP12C	CF/CM/CU48C	1.03	1.19	0.95
TM9V100C20MP12C	CF/CM/CU48D	1.03	1.21	0.95
TM9V100C20MP12C	CF/CM30C	1.03	1.20	0.95
TM9V100C20MP12C	CF/CM36D	1.03	1.20	0.97
TM9V100C20MP12C	CF/CM42D	1.03	1.19	0.95
TM9V120D20MP12C	CF/CM/CU48D	1.03	1.15	0.95
TM9V120D20MP12C	CF/CM36D	1.03	1.16	0.97
TM9V120D20MP12C	CF/CM42D	1.03	1.16	0.95
TM9Y040A10MP11	CF/CM/CU30B	1.03	1.14	0.96
TM9Y040A10MP11	CF/CM/CU36B	1.03	1.16	0.97
TM9Y040A10MP11	CF/CM36A	1.03	1.11	0.96
TM9Y040A10MP11	CF42B	1.03	1.15	0.95
TM9Y060B12MP11	CF/CM/CU30B	1.02	1.05	0.94
TM9Y060B12MP11	CF/CM/CU36B	1.03	1.04	0.95
TM9Y060B12MP11	CF/CM/CU36C	1.03	1.08	0.95
TM9Y060B12MP11	CF/CM/CU42C	1.03	1.08	0.95
TM9Y060B12MP11	CF/CM/CU48C	1.03	1.09	0.95
TM9Y060B12MP11	CF/CM30C	1.03	1.07	0.95
TM9Y060B12MP11	CF42B	1.03	1.06	0.95
TM9Y080B12MP11	CF/CM/CU30B	1.01	1.05	0.95
TM9Y080B12MP11	CF/CM/CU36B	1.01	1.05	0.95
TM9Y080B12MP11	CF/CM/CU36C	1.03	1.13	0.97
TM9Y080B12MP11	CF/CM/CU42C	1.03	1.13	0.95
TM9Y080B12MP11	CF/CM/CU48C	1.03	1.14	0.95
TM9Y080B12MP11	CF/CM30C	1.03	1.12	0.96
TM9Y080B12MP11	CF42B	1.02	1.05	0.94
TM9Y080C16MP11	CF/CM/CU36C	1.03	1.13	0.95
TM9Y080C16MP11	CF/CM/CU42C	1.03	1.14	0.95
TM9Y080C16MP11	CF/CM/CU48C	1.03	1.15	0.95
TM9Y080C16MP11	CF/CM/CU48D	1.03	1.15	0.95
TM9Y080C16MP11	CF/CM30C	1.03	1.13	0.95
TM9Y080C16MP11	CF/CM36D	1.03	1.13	0.95
TM9Y080C16MP11	CF/CM42D	1.03	1.14	0.95
TM9Y100C16MP11	CF/CM/CU36C	1.03	1.11	0.96
TM9Y100C16MP11	CF/CM/CU42C	1.03	1.11	0.95
TM9Y100C16MP11	CF/CM/CU48C	1.03	1.14	0.95

Furnaces	Coils	T.C.	S.C.	kW
TM9Y100C16MP11	CF/CM/CU48D	1.03	1.17	0.95
TM9Y100C16MP11	CF/CM30C	1.03	1.11	0.96
TM9Y100C16MP11	CF/CM36D	1.03	1.13	0.97
TM9Y100C16MP11	CF/CM42D	1.03	1.13	0.95
TM9Y100C20MP11	CF/CM/CU36C	1.03	1.25	0.95
TM9Y100C20MP11	CF/CM/CU42C	1.03	1.25	0.95
TM9Y100C20MP11	CF/CM/CU48C	1.03	1.27	0.95
TM9Y100C20MP11	CF/CM/CU48D	1.03	1.26	0.95
TM9Y100C20MP11	CF/CM30C	1.03	1.16	0.95
TM9Y100C20MP11	CF/CM36D	1.03	1.26	0.95
TM9Y100C20MP11	CF/CM42D	1.03	1.26	0.95
TM9Y120D20MP11	CF/CM/CU48D	1.03	1.14	0.95
TM9Y120D20MP11	CF/CM36D	1.03	1.11	0.96
TM9Y120D20MP11	CF/CM42D	1.03	1.10	0.95
TMLE040A12MP11	CF/CM/CU30B	1.03	1.07	0.95
TMLE040A12MP11	CF/CM/CU36B	1.03	1.08	0.95
TMLE040A12MP11	CF42B	1.03	1.06	0.95
TMLE060A12MP11	CF/CM/CU30B	1.03	1.07	0.95
TMLE060A12MP11	CF/CM/CU36B	1.03	1.08	0.95
TMLE060A12MP11	CF42B	1.02	1.02	0.94
TMLE080B12MP11	CF/CM/CU30B	1.03	1.09	0.95
TMLE080B12MP11	CF/CM/CU36B	1.03	1.08	0.95
TMLE080B12MP11	CF/CM/CU36C	1.03	1.08	0.95
TMLE080B12MP11	CF/CM/CU42C	1.03	1.09	0.95
TMLE080B12MP11	CF/CM/CU48C	1.03	1.09	0.95
TMLE080B12MP11	CF/CM30C	1.03	1.09	0.95
TMLE080B12MP11	CF42B	1.03	1.09	0.95
TMLE080C16MP11	CF/CM/CU36C	1.03	1.12	0.95
TMLE080C16MP11	CF/CM/CU42C	1.03	1.13	0.95
TMLE080C16MP11	CF/CM/CU48C	1.03	1.03	0.95
TMLE080C16MP11	CF/CM/CU48D	1.03	1.13	0.95
TMLE080C16MP11	CF/CM30C	1.03	1.12	0.95
TMLE080C16MP11	CF/CM36D	1.03	1.12	0.95
TMLE080C16MP11	CF/CM42D	1.03	1.13	0.95
TMLE100B12MP11	CF/CM/CU30B	1.02	1.04	0.94
TMLE100B12MP11	CF/CM/CU36B	1.03	1.05	0.95
TMLE100B12MP11	CF/CM/CU36C	1.03	1.05	0.95
TMLE100B12MP11	CF/CM/CU42C	1.03	1.07	0.95
TMLE100B12MP11	CF/CM/CU48C	1.03	1.06	0.95
TMLE100B12MP11	CF/CM30C	1.03	1.10	0.95
TMLE100B12MP11	CF42B	1.02	1.02	0.94
TMLE100C16MP11	CF/CM/CU36C	1.03	1.11	0.95
TMLE100C16MP11	CF/CM/CU42C	1.03	1.11	0.95
TMLE100C16MP11	CF/CM/CU48C	1.03	1.13	0.95
TMLE100C16MP11	CF/CM/CU48D	1.03	1.13	0.95
TMLE100C16MP11	CF/CM30C	1.03	1.11	0.95
TMLE100C16MP11	CF/CM36D	1.03	1.12	0.95
TMLE100C16MP11	CF/CM42D	1.03	1.13	0.95
TMLE120C16MP11	CF/CM/CU36C	1.03	1.12	0.95
TMLE120C16MP11	CF/CM/CU42C	1.03	1.13	0.95
TMLE120C16MP11	CF/CM/CU48C	1.03	1.13	0.95
TMLE120C16MP11	CF/CM/CU48D	1.03	1.13	0.95
TMLE120C16MP11	CF/CM30C	1.03	1.12	0.95
TMLE120C16MP11	CF/CM36D	1.03	1.12	0.95
TMLE120C16MP11	CF/CM42D	1.03	1.13	0.95
TMLV060A12MP12C	CF/CM/CU30B	1.01	1.05	0.95

Furnaces	Coils	T.C.	S.C.	kW
TMLV060A12MP12C	CF/CM/CU36B	1.03	1.16	0.97
TMLV060A12MP12C	CF/CM36A	1.02	1.06	0.94
TMLV060A12MP12C	CF42B	1.03	1.17	0.95
TMLV080B12MP12C	CF/CM/CU30B	1.00	1.02	0.94
TMLV080B12MP12C	CF/CM/CU36B	1.01	1.02	0.93
TMLV080B12MP12C	CF/CM/CU36C	1.01	1.02	0.93
TMLV080B12MP12C	CF/CM/CU42C	1.03	1.13	0.95
TMLV080B12MP12C	CF/CM/CU48C	1.03	1.14	0.95
TMLV080B12MP12C	CF/CM30C	1.03	1.12	0.96
TMLV080B12MP12C	CF42B	1.03	1.13	0.95
TMLV080C16MP12C	CF/CM/CU36C	1.01	1.05	0.95
TMLV080C16MP12C	CF/CM/CU42C	1.02	1.05	0.94
TMLV080C16MP12C	CF/CM/CU48C	1.03	1.15	0.95
TMLV080C16MP12C	CF/CM/CU48D	1.03	1.10	0.95
TMLV080C16MP12C	CF/CM30C	1.01	1.05	0.95
TMLV080C16MP12C	CF/CM36D	1.01	1.05	0.95
TMLV080C16MP12C	CF/CM42D	1.02	1.05	0.94
TMLV100C16MP12C	CF/CM/CU36C	1.01	1.05	0.95
TMLV100C16MP12C	CF/CM/CU42C	1.02	1.05	0.94
TMLV100C16MP12C	CF/CM/CU48C	1.03	1.15	0.95
TMLV100C16MP12C	CF/CM/CU48D	1.03	1.10	0.95
TMLV100C16MP12C	CF/CM30C	1.01	1.05	0.95
TMLV100C16MP12C	CF/CM36D	1.01	1.05	0.95
TMLV100C16MP12C	CF/CM42D	1.02	1.05	0.94
TMLV100C20MP12C	CF/CM/CU36C	1.03	1.23	0.95
TMLV100C20MP12C	CF/CM/CU42C	1.03	1.24	0.95
TMLV100C20MP12C	CF/CM/CU48C	1.03	1.25	0.95
TMLV100C20MP12C	CF/CM/CU48D	1.03	1.25	0.95
TMLV100C20MP12C	CF/CM30C	1.03	1.14	0.95
TMLV100C20MP12C	CF/CM36D	1.03	1.24	0.95
TMLV100C20MP12C	CF/CM42D	1.03	1.24	0.95
TMLV120C20MP12C	CF/CM/CU36C	1.03	1.23	0.95
TMLV120C20MP12C	CF/CM/CU42C	1.03	1.24	0.95
TMLV120C20MP12C	CF/CM/CU48C	1.03	1.25	0.95
TMLV120C20MP12C	CF/CM/CU48D	1.03	1.25	0.95
TMLV120C20MP12C	CF/CM30C	1.03	1.14	0.95
TMLV120C20MP12C	CF/CM36D	1.03	1.24	0.95
TMLV120C20MP12C	CF/CM42D	1.03	1.24	0.95
TMLV120C20MP12C	CF/CM42D	1.03	1.24	0.95
TMLX060A12MP11	CF/CM/CU30B	1.03	1.11	0.95
TMLX060A12MP11	CF/CM/CU36B	1.03	1.10	0.95
TMLX060A12MP11	CF42B	1.03	1.11	0.95
TMLX080B12MP11	CF/CM/CU30B	1.02	1.04	0.94
TMLX080B12MP11	CF/CM/CU36B	1.03	1.05	0.95
TMLX080B12MP11	CF/CM/CU36C	1.03	1.05	0.95
TMLX080B12MP11	CF/CM/CU42C	1.03	1.05	0.95
TMLX080B12MP11	CF/CM/CU48C	1.03	1.06	0.95
TMLX080B12MP11	CF/CM30C	1.02	1.04	0.94
TMLX080B12MP11	CF42B	1.02	1.02	0.94
TMLX080C16MP11	CF/CM/CU36C	1.03	1.12	0.95
TMLX080C16MP11	CF/CM/CU42C	1.03	1.13	0.95
TMLX080C16MP11	CF/CM/CU48C	1.03	1.13	0.95
TMLX080C16MP11	CF/CM/CU48D	1.03	1.15	0.95
TMLX080C16MP11	CF/CM30C	1.03	1.12	0.95
TMLX080C16MP11	CF/CM36D	1.03	1.13	0.95
TMLX080C16MP11	CF/CM42D	1.03	1.15	0.95
TMLX100C16MP11	CF/CM/CU36C	1.03	1.12	0.95

Furnaces	Coils	T.C.	S.C.	kW
TMLX100C16MP11	CF/CM/CU42C	1.03	1.13	0.95
TMLX100C16MP11	CF/CM/CU48C	1.03	1.13	0.95
TMLX100C16MP11	CF/CM/CU48D	1.03	1.15	0.95
TMLX100C16MP11	CF/CM30C	1.03	1.12	0.95
TMLX100C16MP11	CF/CM36D	1.03	1.13	0.95
TMLX100C16MP11	CF/CM42D	1.03	1.15	0.95
TMLX100C20MP11	CF/CM/CU36C	1.03	1.16	0.95
TMLX100C20MP11	CF/CM/CU42C	1.03	1.16	0.95
TMLX100C20MP11	CF/CM/CU48C	1.03	1.16	0.95
TMLX100C20MP11	CF/CM/CU48D	1.03	1.16	0.95
TMLX100C20MP11	CF/CM30C	1.03	1.15	0.95
TMLX100C20MP11	CF/CM36D	1.03	1.16	0.95
TMLX100C20MP11	CF/CM42D	1.03	1.16	0.95
TMLX120C20MP11	CF/CM/CU36C	1.03	1.16	0.95
TMLX120C20MP11	CF/CM/CU42C	1.03	1.16	0.95
TMLX120C20MP11	CF/CM/CU48C	1.03	1.16	0.95
TMLX120C20MP11	CF/CM/CU48D	1.03	1.16	0.95
TMLX120C20MP11	CF/CM30C	1.03	1.15	0.95
TMLX120C20MP11	CF/CM36D	1.03	1.16	0.95
TMLX120C20MP11	CF/CM42D	1.03	1.16	0.95
TP9C060B12MP13C	CF/CM/CU30B	1.01	1.05	0.95
TP9C060B12MP13C	CF/CM/CU36B	1.01	1.05	0.95
TP9C060B12MP13C	CF/CM/CU36C	1.01	1.05	0.95
TP9C060B12MP13C	CF/CM/CU42C	1.03	1.13	0.95
TP9C060B12MP13C	CF/CM/CU48C	1.03	1.14	0.95
TP9C060B12MP13C	CF/CM30C	1.01	1.05	0.95
TP9C060B12MP13C	CF42B	1.02	1.05	0.94
TP9C080B12MP13C	CF/CM/CU30B	1.03	1.17	0.97
TP9C080B12MP13C	CF/CM/CU36B	1.03	1.16	0.97
TP9C080B12MP13C	CF/CM/CU36C	1.00	1.00	0.94
TP9C080B12MP13C	CF/CM/CU42C	1.01	1.00	0.93
TP9C080B12MP13C	CF/CM/CU48C	1.01	1.01	0.93
TP9C080B12MP13C	CF/CM30C	1.01	1.05	0.95
TP9C080B12MP13C	CF42B	1.03	1.17	0.95
TP9C080C16MP13C	CF/CM/CU36C	1.03	1.16	0.97
TP9C080C16MP13C	CF/CM/CU42C	1.03	1.15	0.95
TP9C080C16MP13C	CF/CM/CU48C	1.03	1.15	0.95
TP9C080C16MP13C	CF/CM/CU48D	1.03	1.13	0.95
TP9C080C16MP13C	CF/CM30C	1.03	1.14	0.96
TP9C080C16MP13C	CF/CM36D	1.03	1.16	0.97
TP9C080C16MP13C	CF/CM42D	1.03	1.15	0.95
TP9C100C16MP13C	CF/CM/CU36C	1.03	1.13	0.97
TP9C100C16MP13C	CF/CM/CU42C	1.03	1.13	0.95
TP9C100C16MP13C	CF/CM/CU48C	1.03	1.18	0.95
TP9C100C16MP13C	CF/CM/CU48D	1.03	1.10	0.95
TP9C100C16MP13C	CF/CM30C	1.03	1.12	0.96
TP9C100C16MP13C	CF/CM36D	1.03	1.16	0.97
TP9C100C16MP13C	CF/CM42D	1.03	1.17	0.95
TP9C100C20MP13C	CF/CM/CU36C	1.03	1.20	0.97
TP9C100C20MP13C	CF/CM/CU42C	1.03	1.19	0.95
TP9C100C20MP13C	CF/CM/CU48C	1.03	1.19	0.95
TP9C100C20MP13C	CF/CM/CU48D	1.03	1.21	0.95
TP9C100C20MP13C	CF/CM30C	1.03	1.20	0.95
TP9C100C20MP13C	CF/CM36D	1.03	1.20	0.97
TP9C100C20MP13C	CF/CM42D	1.03	1.19	0.95
TP9C120D20MP13C	CF/CM/CU48D	1.03	1.15	0.95

Furnaces	Coils	T.C.	S.C.	kW
TP9C120D20MP13C	CF/CM36D	1.03	1.16	0.97
TP9C120D20MP13C	CF/CM42D	1.03	1.16	0.95
TPLC060A12MP13C	CF/CM/CU30B	1.01	1.05	0.95
TPLC060A12MP13C	CF/CM/CU36B	1.03	1.16	0.97
TPLC060A12MP13C	CF/CM36A	1.02	1.06	0.94
TPLC060A12MP13C	CF42B	1.03	1.17	0.95
TPLC080B12MP13C	CF/CM/CU30B	1.00	1.02	0.94
TPLC080B12MP13C	CF/CM/CU36B	1.01	1.02	0.93
TPLC080B12MP13C	CF/CM/CU36C	1.01	1.02	0.93
TPLC080B12MP13C	CF/CM/CU42C	1.03	1.13	0.95
TPLC080B12MP13C	CF/CM/CU48C	1.03	1.14	0.95
TPLC080B12MP13C	CF/CM30C	1.03	1.12	0.96
TPLC080B12MP13C	CF42B	1.03	1.13	0.95
TPLC080C16MP13C	CF/CM/CU36C	1.01	1.05	0.95
TPLC080C16MP13C	CF/CM/CU42C	1.02	1.05	0.94
TPLC080C16MP13C	CF/CM/CU48C	1.03	1.15	0.95
TPLC080C16MP13C	CF/CM/CU48D	1.03	1.10	0.95
TPLC080C16MP13C	CF/CM30C	1.01	1.05	0.95
TPLC080C16MP13C	CF/CM36D	1.01	1.05	0.95
TPLC080C16MP13C	CF/CM42D	1.02	1.05	0.94
TPLC100C16MP13C	CF/CM/CU36C	1.01	1.05	0.95
TPLC100C16MP13C	CF/CM/CU42C	1.02	1.05	0.94
TPLC100C16MP13C	CF/CM/CU48C	1.03	1.15	0.95
TPLC100C16MP13C	CF/CM/CU48D	1.03	1.10	0.95
TPLC100C16MP13C	CF/CM30C	1.01	1.05	0.95
TPLC100C16MP13C	CF/CM36D	1.01	1.05	0.95
TPLC100C16MP13C	CF/CM42D	1.02	1.05	0.94
TPLC100C20MP13C	CF/CM/CU36C	1.03	1.23	0.95
TPLC100C20MP13C	CF/CM/CU42C	1.03	1.24	0.95
TPLC100C20MP13C	CF/CM/CU48C	1.03	1.25	0.95
TPLC100C20MP13C	CF/CM/CU48D	1.03	1.25	0.95
TPLC100C20MP13C	CF/CM30C	1.03	1.14	0.95
TPLC100C20MP13C	CF/CM36D	1.03	1.24	0.95
TPLC100C20MP13C	CF/CM42D	1.03	1.24	0.95
TPLC120C20MP13C	CF/CM/CU36C	1.03	1.23	0.95
TPLC120C20MP13C	CF/CM/CU42C	1.03	1.24	0.95
TPLC120C20MP13C	CF/CM/CU48C	1.03	1.25	0.95
TPLC120C20MP13C	CF/CM/CU48D	1.03	1.25	0.95
TPLC120C20MP13C	CF/CM30C	1.03	1.14	0.95
TPLC120C20MP13C	CF/CM36D	1.03	1.24	0.95
TPLC120C20MP13C	CF/CM42D	1.03	1.24	0.95
CP9C060B12MP13C	CF/CM/CU30B	1.01	1.05	0.95
CP9C060B12MP13C	CF/CM/CU36B	1.01	1.05	0.95
CP9C060B12MP13C	CF/CM/CU36C	1.01	1.05	0.95
CP9C060B12MP13C	CF/CM/CU42C	1.03	1.13	0.95
CP9C060B12MP13C	CF/CM/CU48C	1.03	1.14	0.95
CP9C060B12MP13C	CF/CM30C	1.01	1.05	0.95
CP9C060B12MP13C	CF42B	1.02	1.05	0.94
CP9C080B12MP13C	CF/CM/CU30B	1.03	1.17	0.97
CP9C080B12MP13C	CF/CM/CU36B	1.03	1.16	0.97
CP9C080B12MP13C	CF/CM/CU36C	1.00	1.00	0.94
CP9C080B12MP13C	CF/CM/CU42C	1.01	1.00	0.93
CP9C080B12MP13C	CF/CM/CU48C	1.01	1.01	0.93
CP9C080B12MP13C	CF/CM30C	1.01	1.05	0.95
CP9C080B12MP13C	CF42B	1.03	1.17	0.95
CP9C080C16MP13C	CF/CM/CU36C	1.03	1.16	0.97

Furnaces	Coils	T.C.	S.C.	kW
CP9C080C16MP13C	CF/CM/CU42C	1.03	1.15	0.95
CP9C080C16MP13C	CF/CM/CU48C	1.03	1.15	0.95
CP9C080C16MP13C	CF/CM/CU48D	1.03	1.13	0.95
CP9C080C16MP13C	CF/CM30C	1.03	1.14	0.96
CP9C080C16MP13C	CF/CM36D	1.03	1.16	0.97
CP9C080C16MP13C	CF/CM42D	1.03	1.15	0.95
CP9C100C16MP13C	CF/CM/CU36C	1.03	1.13	0.97
CP9C100C16MP13C	CF/CM/CU42C	1.03	1.13	0.95
CP9C100C16MP13C	CF/CM/CU48C	1.03	1.18	0.95
CP9C100C16MP13C	CF/CM/CU48D	1.03	1.10	0.95
CP9C100C16MP13C	CF/CM30C	1.03	1.12	0.96
CP9C100C16MP13C	CF/CM36D	1.03	1.16	0.97
CP9C100C16MP13C	CF/CM42D	1.03	1.17	0.95
CP9C100C20MP13C	CF/CM/CU36C	1.03	1.20	0.97
CP9C100C20MP13C	CF/CM/CU42C	1.03	1.19	0.95
CP9C100C20MP13C	CF/CM/CU48C	1.03	1.19	0.95
CP9C100C20MP13C	CF/CM/CU48D	1.03	1.21	0.95
CP9C100C20MP13C	CF/CM30C	1.03	1.20	0.95
CP9C100C20MP13C	CF/CM36D	1.03	1.20	0.97
CP9C100C20MP13C	CF/CM42D	1.03	1.19	0.95
CP9C120D20MP13C	CF/CM/CU48D	1.03	1.15	0.95
CP9C120D20MP13C	CF/CM36D	1.03	1.16	0.97
CP9C120D20MP13C	CF/CM42D	1.03	1.16	0.95
CPLC060A12MP13C	CF/CM/CU30B	1.01	1.05	0.95
CPLC060A12MP13C	CF/CM/CU36B	1.03	1.16	0.97
CPLC060A12MP13C	CF/CM36A	1.02	1.06	0.94
CPLC060A12MP13C	CF42B	1.03	1.17	0.95
CPLC080B12MP13C	CF/CM/CU30B	1.00	1.02	0.94
CPLC080B12MP13C	CF/CM/CU36B	1.01	1.02	0.93
CPLC080B12MP13C	CF/CM/CU36C	1.01	1.02	0.93
CPLC080B12MP13C	CF/CM/CU42C	1.03	1.13	0.95
CPLC080B12MP13C	CF/CM/CU48C	1.03	1.14	0.95
CPLC080B12MP13C	CF/CM30C	1.03	1.12	0.96
CPLC080B12MP13C	CF42B	1.03	1.13	0.95
CPLC080C16MP13C	CF/CM/CU36C	1.01	1.05	0.95
CPLC080C16MP13C	CF/CM/CU42C	1.02	1.05	0.94
CPLC080C16MP13C	CF/CM/CU48C	1.03	1.15	0.95
CPLC080C16MP13C	CF/CM/CU48D	1.03	1.10	0.95
CPLC080C16MP13C	CF/CM30C	1.01	1.05	0.95
CPLC080C16MP13C	CF/CM36D	1.01	1.05	0.95
CPLC080C16MP13C	CF/CM42D	1.02	1.05	0.94
CPLC100C16MP13C	CF/CM/CU36C	1.01	1.05	0.95
CPLC100C16MP13C	CF/CM/CU42C	1.02	1.05	0.94
CPLC100C16MP13C	CF/CM/CU48C	1.03	1.15	0.95
CPLC100C16MP13C	CF/CM/CU48D	1.03	1.10	0.95
CPLC100C16MP13C	CF/CM30C	1.01	1.05	0.95
CPLC100C16MP13C	CF/CM36D	1.01	1.05	0.95
CPLC100C16MP13C	CF/CM42D	1.02	1.05	0.94
CPLC100C20MP13C	CF/CM/CU36C	1.03	1.23	0.95
CPLC100C20MP13C	CF/CM/CU42C	1.03	1.24	0.95
CPLC100C20MP13C	CF/CM/CU48C	1.03	1.25	0.95
CPLC100C20MP13C	CF/CM/CU48D	1.03	1.25	0.95

Furnaces	Coils	T.C.	S.C.	kW
CPLC100C20MP13C	CF/CM30C	1.03	1.14	0.95
CPLC100C20MP13C	CF/CM36D	1.03	1.24	0.95
CPLC100C20MP13C	CF/CM42D	1.03	1.24	0.95
CPLC120C20MP13C	CF/CM/CU36C	1.03	1.23	0.95
CPLC120C20MP13C	CF/CM/CU42C	1.03	1.24	0.95
CPLC120C20MP13C	CF/CM/CU48C	1.03	1.25	0.95
CPLC120C20MP13C	CF/CM/CU48D	1.03	1.25	0.95
CPLC120C20MP13C	CF/CM30C	1.03	1.14	0.95
CPLC120C20MP13C	CF/CM36D	1.03	1.24	0.95
CPLC120C20MP13C	CF/CM42D	1.03	1.24	0.95
CP9C120D20MP13C	CF/CM42D	1.02	1.13	0.98
CP9C120D20MP13C	CF/CM61D	1.00	1.14	0.90
CP9C120D20MP13C	CF/CM64D	1.02	1.22	0.88
CPLC060A12MP13C	CF42B	1.00	1.02	0.96
CPLC080B12MP13C	CF/CM/CU42C	1.01	1.05	0.96
CPLC080B12MP13C	CF/CM/CU48C	1.01	1.03	0.92
CPLC080B12MP13C	CF/CM/CU60C	1.00	1.02	0.92
CPLC080B12MP13C	CF42B	1.00	1.04	0.96
CPLC080C16MP13C	CF/CM/CU42C	1.01	1.03	0.97
CPLC080C16MP13C	CF/CM/CU48C	1.02	1.03	0.95
CPLC080C16MP13C	CF/CM/CU48D	1.02	1.03	0.95
CPLC080C16MP13C	CF/CM/CU60C	1.01	1.00	0.90
CPLC080C16MP13C	CF/CM42D	1.01	1.03	0.99
CPLC080C16MP13C	CF/CM50C	0.99	1.07	0.91
CPLC080C16MP13C	CF/CM61D	0.99	1.09	0.89
CPLC080C16MP13C	CF/CM64D	1.02	1.10	0.88
CPLC100C16MP13C	CF/CM/CU42C	1.01	1.03	0.97
CPLC100C16MP13C	CF/CM/CU48C	1.02	1.03	0.95
CPLC100C16MP13C	CF/CM/CU48D	1.02	1.03	0.95
CPLC100C16MP13C	CF/CM/CU60C	1.01	1.00	0.90
CPLC100C16MP13C	CF/CM42D	1.01	1.03	0.99
CPLC100C16MP13C	CF/CM50C	0.99	1.07	0.91
CPLC100C16MP13C	CF/CM61D	0.99	1.09	0.89
CPLC100C16MP13C	CF/CM64D	1.02	1.10	0.88
CPLC100C20MP13C	CF/CM/CU42C	1.02	1.11	1.00
CPLC100C20MP13C	CF/CM/CU48C	1.02	1.12	0.96
CPLC100C20MP13C	CF/CM/CU48D	1.02	1.12	0.98
CPLC100C20MP13C	CF/CM/CU60C	1.02	1.14	0.92
CPLC100C20MP13C	CF/CM42D	1.02	1.11	0.98
CPLC100C20MP13C	CF/CM50C	1.00	1.10	0.94
CPLC100C20MP13C	CF/CM61D	1.00	1.10	0.88
CPLC100C20MP13C	CF/CM64D	1.02	1.21	0.88
CPLC120C20MP13C	CF/CM/CU42C	1.02	1.11	1.00
CPLC120C20MP13C	CF/CM/CU48C	1.02	1.12	0.96
CPLC120C20MP13C	CF/CM/CU48D	1.02	1.12	0.98
CPLC120C20MP13C	CF/CM/CU60C	1.02	1.14	0.92
CPLC120C20MP13C	CF/CM42D	1.02	1.11	0.98
CPLC120C20MP13C	CF/CM50C	1.00	1.10	0.94
CPLC120C20MP13C	CF/CM61D	1.00	1.10	0.88
CPLC120C20MP13C	CF/CM64D	1.02	1.21	0.88

PERFORMANCE DATA - 3 TON - COPPER MATCHED SYSTEMS

COOLING PERFORMANCE DATA																
AIR CONDITIONER MODEL NO.		TCHD36S4(3,4)S3														
INDOOR COIL MODEL NO.		FC/MC/PC43														
AIR TEMP. ENTERING OUTDOOR UNIT (°F)	ID CFM	1000					1200					1400				
	ID DB (°F)	80	80	75	80	80	80	80	75	80	80	80	80	75	80	80
	ID WB (°F)	57	62	62	67	72	57	62	62	67	72	57	62	62	67	72
65	T.C.	35.6	35.8	34.7	37.7	37.7	36.8	37.8	36.7	40.3	42.2	38.1	39.7	38.6	42.8	46.7
	S.C.	32.9	30.2	25.1	25.3	17.8	34.5	33.0	28.0	27.7	20.2	36.2	35.7	30.8	30.1	22.7
	kW	1.90	1.92	1.90	1.92	1.95	1.91	1.93	1.90	1.92	1.95	1.92	1.94	1.90	1.92	1.95
75	T.C.	34.2	34.3	32.7	35.3	35.7	35.4	36.3	34.6	38.1	40.3	36.7	38.3	36.5	40.9	44.9
	S.C.	31.5	29.2	24.2	24.1	17.1	33.2	32.0	27.0	26.7	19.6	34.9	34.7	29.8	29.3	22.1
	kW	2.31	2.29	2.30	2.25	2.25	2.29	2.28	2.28	2.25	2.25	2.27	2.27	2.25	2.24	2.25
85	T.C.	32.8	32.8	30.7	33.0	33.7	34.0	34.8	32.5	36.0	38.4	35.3	36.8	34.4	38.9	43.2
	S.C.	30.0	28.2	23.3	22.9	16.5	31.8	31.0	26.0	25.7	19.0	33.6	33.8	28.7	28.4	21.6
	kW	2.72	2.67	2.69	2.57	2.55	2.68	2.64	2.65	2.57	2.55	2.63	2.61	2.61	2.56	2.55
95	T.C.	31.4	31.3	28.7	30.6	31.6	32.7	33.3	30.5	33.8	36.5	33.9	35.3	32.2	37.0	41.4
	S.C.	28.6	27.2	22.4	21.8	15.9	30.4	30.0	25.0	24.7	18.4	32.2	32.8	27.6	27.6	21.0
	kW	3.13	3.04	3.09	2.89	2.85	3.06	2.99	3.03	2.89	2.84	2.99	2.94	2.96	2.88	2.84
105	T.C.	29.9	29.4	27.2	29.0	29.7	31.0	31.1	28.7	31.9	34.3	32.2	32.9	30.2	34.9	38.8
	S.C.	27.3	26.5	21.9	21.2	15.2	28.9	28.8	24.4	24.0	17.7	30.5	31.1	26.9	26.9	20.1
	kW	3.67	3.60	3.71	3.42	3.34	3.58	3.52	3.61	3.41	3.33	3.50	3.44	3.51	3.40	3.32
115	T.C.	28.4	27.6	25.6	27.3	27.8	29.4	29.0	26.9	30.1	32.1	30.5	30.5	28.3	32.9	36.3
	S.C.	25.9	25.9	21.4	20.6	14.6	27.4	27.7	23.8	23.4	16.9	28.9	29.5	26.2	26.1	19.2
	kW	4.20	4.13	4.32	3.94	3.81	4.09	4.03	4.18	3.91	3.79	3.99	3.93	4.05	3.89	3.78
125	T.C.	26.9	25.7	24.1	25.7	25.9	27.8	27.0	25.2	28.3	29.8	28.8	28.2	26.3	30.9	33.8
	S.C.	24.6	25.3	20.9	20.0	14.0	26.0	26.6	23.2	22.7	16.2	27.3	27.8	25.6	25.4	18.3
	kW	4.72	4.67	4.92	4.45	4.28	4.60	4.54	4.75	4.42	4.26	4.49	4.41	4.58	4.39	4.24

NOTE: ALL CAPACITIES INCLUDE INDOOR FAN HEAT. kW VALUES ARE FOR THE SYSTEM (OUTDOOR + INDOOR).

Green shaded cells are ACCA (TVA) conditions.

Blue shaded cells are AHRI conditions.

Multipliers for determining the performance with other indoor sections.

NOTE: For dry bulb temperatures different than those listed (between 73°F to 87°F), sensible capacity increases by 1060 BTUH per 1000 CFM per degree above the listed temperature and decreases by 1060 BTUH per 1000 CFM per degree below the listed temperature.

Air Handlers	Coils	T.C.	S.C.	kW
-	FC/MC/PC37	1.00	1.00	1.00
-	FC/MC/PC43	1.00	1.00	1.00
-	FC/MC/PC48	1.02	1.02	0.99
-	HD48	1.01	1.01	1.00
AHE36C	-	1.02	1.03	0.93
AHE42D	-	1.04	1.04	0.91
AHR36B	-	1.00	1.00	1.02
AHR42C	-	1.02	1.04	1.00
AHV36C	-	1.02	1.04	0.99
AHV42D	-	1.04	1.04	0.95
AHV48D	-	1.02	1.02	0.95
MV12B	FC/MC43B	1.02	1.02	0.95
MV12D	FC/MC48D	1.02	1.02	0.92
MV16C	FC/MC43C	1.02	1.03	0.92
MV16C	FC/MC48C	1.04	1.04	0.92
MX12BN21	FC/MC35B	0.99	0.98	0.98
MX12BN21	FC/MC43B	1.00	0.99	0.95
MX12DN21	FC/MC48D	1.01	1.02	0.91
MX16CN21	FC/MC35C	0.99	1.00	0.99
MX16CN21	FC/MC43C	1.01	1.02	0.95
MX16CN21	FC/MC48C	1.02	1.04	0.95

Air Handlers	Coils	T.C.	S.C.	kW
MX20DN21	FC/MC48D	1.03	1.05	0.94

Furnaces	Coils	T.C.	S.C.	kW
T*(8,L)C*A12	FC/MC/PC32A	0.96	0.96	0.96
T*(8,L)C*A12	FC/MC/PC37A	0.98	0.93	0.95
T*(8,L)C*A12	HD36	0.98	0.94	0.98
T*(8,L)C*B12	FC/MC/PC35B	0.99	0.95	0.98
T*(8,L)C*B12	FC/MC/PC43B	1.01	1.02	0.99
T*(8,L)C*B12	HD36	0.98	0.94	0.96
T*(8,L)C*B12	HD48	1.02	1.02	0.96
T*(8,L)C*C16	FC/MC/PC35C	0.99	0.96	0.95
T*(8,L)C*C16	FC/MC/PC43C	1.02	1.03	0.95
T*(8,L)C*C16	FC/MC/PC48C	1.04	1.05	0.93
T*(8,L)C*C16	HD36	0.99	0.95	0.94
T*(8,L)C*C16	HD48	1.03	1.03	0.93
T*(8,L)C*C16	UC48C	0.99	1.00	0.93
T*(8,L)C*C20	FC/MC/PC35C	1.00	0.96	0.93
T*(8,L)C*C20	FC/MC/PC43C	1.02	1.03	0.96
T*(8,L)C*C20	FC/MC/PC48C	1.04	1.05	0.93
T*(8,L)C*C20	HD36	0.99	0.96	0.94
T*(8,L)C*C20	HD48	1.03	1.03	0.92

Furnaces	Coils	T.C.	S.C.	kW
T*(8,L)C*C20	UC48C	0.99	1.00	0.92
T*(8,L)V*A12	FC/MC/PC37A	0.98	0.93	0.95
T*(8,L)V*B12	FC/MC/PC43B	1.01	1.02	0.99
T*(8,L)V*B12	HD48	1.02	1.02	0.96
T*(8,L)V*C16	FC/MC/PC43C	1.02	1.03	0.95
T*(8,L)V*C16	FC/MC/PC48C	1.04	1.05	0.93
T*(8,L)V*C16	HD48	1.03	1.03	0.93
T*(8,L)V*C16	UC48C	0.99	1.00	0.93
T*(8,L)V*C20	FC/MC/PC43C	1.02	1.03	0.96
T*(8,L)V*C20	FC/MC/PC48C	1.04	1.05	0.93
T*(8,L)V*C20	HD48	1.03	1.03	0.92
T*(8,L)V*C20	UC48C	0.99	1.00	0.92
T*9(C,V)*B12	FC/MC/PC35B	0.99	1.00	0.98
T*9(C,V)*B12	FC/MC/PC43B	1.01	1.02	0.98
T*9(C,V)*B12	HD36	0.99	1.00	0.96
T*9(C,V)*B12	HD48	1.02	1.02	0.96
T*9(C,V)*C16	FC/MC/PC35C	0.99	1.00	0.96
T*9(C,V)*C16	FC/MC/PC43C	1.01	1.02	0.97
T*9(C,V)*C16	FC/MC/PC48C	1.04	1.04	0.95
T*9(C,V)*C16	HD36	0.99	1.00	0.94
T*9(C,V)*C16	HD48	1.02	1.02	0.94
T*9(C,V)*C16	UC48C	0.99	1.00	0.94
T*9(C,V)*C20	FC/MC/PC35C	1.01	1.04	0.99
T*9(C,V)*C20	FC/MC/PC43C	1.02	1.03	0.95
T*9(C,V)*C20	FC/MC/PC48C	1.04	1.09	0.97
T*9(C,V)*C20	HD36	1.00	1.01	0.97
T*9(C,V)*C20	HD48	1.03	1.06	0.97
T*9(C,V)*C20	UC48C	1.00	1.03	0.98
T*9(C,V)*D20	FC/MC/PC48D	1.04	1.06	0.94
T*9(C,V)*D20	HD48	1.03	1.04	0.94
T*9(C,V)*D20	UC48D	0.99	1.00	0.94
TM8X060A12MP11	FC/MC/PC37A	0.99	0.98	0.98
TM8X080B12MP11	FC/MC/PC35B	0.98	0.97	1.00
TM8X080B12MP11	FC/MC/PC43B	0.99	0.98	0.97
TM8X080C16MP11	FC/MC/PC35C	0.99	0.98	0.97
TM8X080C16MP11	FC/MC/PC43C	1.00	0.99	0.94
TM8X080C16MP11	FC/MC/PC48C	1.01	1.01	0.93
TM8X080C16MP11	FC/MC/PC48D	1.01	1.01	0.96
TM8X080C16MP11	UC48C	1.00	1.01	0.98
TM8X080C16MP11	UC48D	1.00	1.01	0.96
TM8X100C16MP11	FC/MC/PC35C	0.99	0.98	0.97
TM8X100C16MP11	FC/MC/PC43C	1.00	0.99	0.94
TM8X100C16MP11	FC/MC/PC48C	1.01	1.01	0.93
TM8X100C16MP11	FC/MC/PC48D	1.01	1.01	0.96
TM8X100C16MP11	UC48C	1.00	1.01	0.98
TM8X100C16MP11	UC48D	1.00	1.01	0.96
TM8X100C20MP11	FC/MC/PC35C	0.99	1.01	0.97
TM8X100C20MP11	FC/MC/PC43C	1.02	1.02	0.95
TM8X100C20MP11	FC/MC/PC48C	1.02	1.04	0.95
TM8X100C20MP11	FC/MC/PC48D	1.02	1.04	0.98
TM8X100C20MP11	UC48C	0.99	1.01	0.97
TM8X100C20MP11	UC48D	0.99	1.01	0.97
TM8X120C20MP11	FC/MC/PC35C	0.99	1.01	0.97
TM8X120C20MP11	FC/MC/PC43C	1.02	1.02	0.95
TM8X120C20MP11	FC/MC/PC48C	1.02	1.04	0.95
TM8X120C20MP11	FC/MC/PC48D	1.02	1.04	0.98

Furnaces	Coils	T.C.	S.C.	kW
TM8X120C20MP11	UC48C	0.99	1.01	0.97
TM8X120C20MP11	UC48D	0.99	1.01	0.97
TM9E060B12MP11	FC/MC/PC35B	0.98	0.97	1.00
TM9E060B12MP11	FC/MC/PC43B	0.99	0.98	0.97
TM9E080B12MP11	FC/MC/PC35B	0.98	0.97	1.00
TM9E080B12MP11	FC/MC/PC43B	0.99	0.98	0.97
TM9E080C16MP11	FC/MC/PC35C	0.99	0.98	0.98
TM9E080C16MP11	FC/MC/PC43C	1.00	0.99	0.96
TM9E080C16MP11	FC/MC/PC48C	1.01	1.00	0.95
TM9E080C16MP11	FC/MC/PC48D	1.01	1.00	0.98
TM9E080C16MP11	UC48C	0.99	1.01	0.97
TM9E080C16MP11	UC48D	0.99	1.01	0.97
TM9E100C16MP11	FC/MC/PC35C	0.99	0.98	0.98
TM9E100C16MP11	FC/MC/PC43C	1.00	0.99	0.96
TM9E100C16MP11	FC/MC/PC48C	1.01	1.00	0.95
TM9E100C16MP11	FC/MC/PC48D	1.01	1.00	0.98
TM9E100C16MP11	UC48C	0.99	1.01	0.97
TM9E100C16MP11	UC48D	0.99	1.01	0.97
TM9E100C20MP11	FC/MC/PC35C	0.99	0.98	0.96
TM9E100C20MP11	FC/MC/PC43C	1.00	0.99	0.96
TM9E100C20MP11	FC/MC/PC48C	1.01	1.00	0.95
TM9E100C20MP11	FC/MC/PC48D	1.01	1.01	0.96
TM9E100C20MP11	UC48C	0.99	1.01	0.97
TM9E100C20MP11	UC48D	0.99	1.01	0.97
TM9E120D20MP11	FC/MC/PC48D	1.01	1.01	0.94
TM9E120D20MP11	UC48D	1.00	1.01	0.98
TM9X060B12MP11	FC/MC/PC35B	0.98	0.97	1.00
TM9X060B12MP11	FC/MC/PC43B	0.99	0.98	0.97
TM9X080B12MP11	FC/MC/PC35B	0.98	0.97	1.00
TM9X080B12MP11	FC/MC/PC43B	0.99	0.98	0.97
TM9X080C16MP11	FC/MC/PC35C	0.99	0.98	0.98
TM9X080C16MP11	FC/MC/PC43C	1.00	0.99	0.96
TM9X080C16MP11	FC/MC/PC48C	1.01	1.00	0.95
TM9X080C16MP11	FC/MC/PC48D	1.01	1.00	0.98
TM9X080C16MP11	UC48C	0.99	1.01	0.97
TM9X080C16MP11	UC48D	0.99	1.01	0.97
TM9X100C16MP11	FC/MC/PC35C	0.99	0.98	0.98
TM9X100C16MP11	FC/MC/PC43C	1.00	0.99	0.96
TM9X100C16MP11	FC/MC/PC48C	1.01	1.00	0.95
TM9X100C16MP11	FC/MC/PC48D	1.01	1.00	0.98
TM9X100C16MP11	UC48C	0.99	1.01	0.97
TM9X100C16MP11	UC48D	0.99	1.01	0.97
TM9X100C20MP11	FC/MC/PC35C	0.99	0.98	0.96
TM9X100C20MP11	FC/MC/PC43C	1.00	0.99	0.96
TM9X100C20MP11	FC/MC/PC48C	1.01	1.00	0.95
TM9X100C20MP11	FC/MC/PC48D	1.01	1.01	0.96
TM9X100C20MP11	UC48C	0.99	1.01	0.97
TM9X100C20MP11	UC48D	0.99	1.01	0.97
TM9X120D20MP11	FC/MC/PC48D	1.01	1.01	0.94
TM9X120D20MP11	UC48D	1.00	1.01	0.98
TMLX060A12MP11	FC/MC/PC37A	0.99	0.98	0.98
TMLX080B12MP11	FC/MC/PC35B	0.98	0.97	1.00
TMLX080B12MP11	FC/MC/PC43B	0.99	0.98	0.97
TMLX080C16MP11	FC/MC/PC35C	0.99	0.98	0.97
TMLX080C16MP11	FC/MC/PC43C	1.00	0.99	0.94
TMLX080C16MP11	FC/MC/PC48C	1.01	1.01	0.93

Furnaces	Coils	T.C.	S.C.	kW
TMLX080C16MP11	FC/MC/PC48D	1.01	1.01	0.96
TMLX080C16MP11	UC48C	1.00	1.01	0.98
TMLX080C16MP11	UC48D	1.00	1.01	0.96
TMLX100C16MP11	FC/MC/PC35C	0.99	0.98	0.97
TMLX100C16MP11	FC/MC/PC43C	1.00	0.99	0.94
TMLX100C16MP11	FC/MC/PC48C	1.01	1.01	0.93
TMLX100C16MP11	FC/MC/PC48D	1.01	1.01	0.96
TMLX100C16MP11	UC48C	1.00	1.01	0.98
TMLX100C16MP11	UC48D	1.00	1.01	0.96
TMLX100C20MP11	FC/MC/PC35C	0.99	1.01	0.97
TMLX100C20MP11	FC/MC/PC43C	1.02	1.02	0.95
TMLX100C20MP11	FC/MC/PC48C	1.02	1.04	0.95
TMLX100C20MP11	FC/MC/PC48D	1.02	1.04	0.98
TMLX100C20MP11	UC48C	0.99	1.01	0.97
TMLX100C20MP11	UC48D	0.99	1.01	0.97
TMLX120C20MP11	FC/MC/PC35C	0.99	1.01	0.97
TMLX120C20MP11	FC/MC/PC43C	1.02	1.02	0.95
TMLX120C20MP11	FC/MC/PC48C	1.02	1.04	0.95
TMLX120C20MP11	FC/MC/PC48D	1.02	1.04	0.98
TMLX120C20MP11	UC48C	0.99	1.01	0.97
TMLX120C20MP11	UC48D	0.99	1.01	0.97
C*(8,L)C*A12	FC/MC/PC37A	0.98	0.93	0.95
C*(8,L)C*B12	FC/MC/PC43B	1.01	1.02	0.99
C*(8,L)C*B12	HD48	1.02	1.02	0.96

Furnaces	Coils	T.C.	S.C.	kW
C*(8,L)C*C16	FC/MC/PC43C	1.02	1.03	0.95
C*(8,L)C*C16	FC/MC/PC48C	1.04	1.05	0.93
C*(8,L)C*C16	HD48	1.03	1.03	0.93
C*(8,L)C*C16	UC48C	0.99	1.00	0.93
C*(8,L)C*C20	FC/MC/PC43C	1.02	1.03	0.96
C*(8,L)C*C20	FC/MC/PC48C	1.04	1.05	0.93
C*(8,L)C*C20	HD48	1.03	1.03	0.92
C*(8,L)C*C20	UC48C	0.99	1.00	0.92
C*9C*B12	FC/MC/PC43B	1.01	1.02	0.98
C*9C*B12	HD48	1.02	1.02	0.96
C*9C*C16	FC/MC/PC43C	1.01	1.02	0.97
C*9C*C16	FC/MC/PC48C	1.04	1.04	0.95
C*9C*C16	HD48	1.02	1.02	0.94
C*9C*C16	UC48C	0.99	1.00	0.94
C*9C*C20	FC/MC/PC43C	1.02	1.03	0.95
C*9C*C20	FC/MC/PC48C	1.04	1.09	0.97
C*9C*C20	HD48	1.03	1.06	0.97
C*9C*C20	UC48C	1.00	1.03	0.98
C*9C*D20	FC/MC/PC48D	1.04	1.06	0.94
C*9C*D20	HD48	1.03	1.04	0.94
C*9C*D20	UC48D	0.99	1.00	0.94

PERFORMANCE DATA - 3 TON - ALUMINUM MATCHED SYSTEMS

COOLING PERFORMANCE DATA																																
AIR CONDITIONER MODEL NO.		TCHD36S4(3,4)S3																														
INDOOR COIL MODEL NO.		CF/CM42C																														
AIR TEMP. ENTERING OUTDOOR UNIT (°F)	ID CFM	1000					1200					1400																				
	ID DB (°F)	80	80	75	80	80	80	80	75	80	80	80	80	80	75	80	80															
	ID WB (°F)	57	62	62	67	72	57	62	62	67	72	57	62	62	67	72	57	62	62	67	72											
65	T.C.	36.9	37.1	36.0	39.0	39.0	38.2	39.1	38.0	41.7	43.7	39.4	41.2	40.0	44.3	48.4																
	S.C.	34.6	31.8	26.5	26.7	18.8	36.4	34.7	29.5	29.2	21.3	38.2	37.6	32.5	31.7	23.9																
	kW	2.10	2.11	2.09	2.12	2.15	2.10	2.12	2.09	2.12	2.15	2.11	2.13	2.09	2.12	2.15																
75	T.C.	35.4	35.5	33.9	36.6	36.9	36.7	37.6	35.8	39.5	41.7	38.0	39.6	37.8	42.3	46.5																
	S.C.	33.1	30.8	25.5	25.4	18.1	35.0	33.7	28.4	28.1	20.7	36.8	36.6	31.4	30.8	23.3																
	kW	2.55	2.53	2.53	2.47	2.48	2.53	2.51	2.51	2.47	2.48	2.50	2.50	2.48	2.47	2.48																
85	T.C.	34.0	34.0	31.8	34.2	34.9	35.3	36.0	33.7	37.2	39.8	36.5	38.1	35.6	40.3	44.7																
	S.C.	31.7	29.7	24.6	24.2	17.4	33.5	32.6	27.4	27.1	20.1	35.4	35.6	30.2	30.0	22.7																
	kW	3.00	2.94	2.97	2.83	2.81	2.95	2.91	2.92	2.83	2.81	2.90	2.87	2.87	2.82	2.80																
95	T.C.	32.5	32.4	29.7	31.7	32.8	33.8	34.5	31.6	35.0	37.8	35.1	36.5	33.4	38.3	42.9																
	S.C.	30.2	28.6	23.6	22.9	16.7	32.1	31.6	26.4	26.0	19.4	34.0	34.5	29.1	29.1	22.2																
	kW	3.45	3.35	3.41	3.19	3.14	3.37	3.30	3.34	3.18	3.13	3.29	3.24	3.26	3.18	3.13																
105	T.C.	30.9	30.4	28.1	30.0	30.8	32.1	32.2	29.7	33.1	35.5	33.3	34.0	31.3	36.1	40.2																
	S.C.	28.7	28.0	23.1	22.3	16.1	30.5	30.4	25.7	25.3	18.6	32.2	32.8	28.4	28.3	21.2																
	kW	4.04	3.96	4.09	3.77	3.67	3.95	3.88	3.98	3.76	3.66	3.85	3.79	3.87	3.74	3.65																
115	T.C.	29.4	28.5	26.6	28.3	28.8	30.5	30.1	27.9	31.2	33.2	31.5	31.6	29.3	34.0	37.6																
	S.C.	27.3	27.3	22.6	21.7	15.4	28.9	29.2	25.1	24.6	17.8	30.5	31.0	27.7	27.5	20.3																
	kW	4.62	4.55	4.75	4.34	4.20	4.51	4.44	4.61	4.31	4.18	4.40	4.32	4.46	4.29	4.16																
125	T.C.	27.9	26.6	25.0	26.6	26.8	28.8	27.9	26.1	29.3	30.9	29.8	29.2	27.2	31.9	35.0																
	S.C.	25.9	26.6	22.0	21.1	14.8	27.3	27.9	24.5	23.9	17.1	28.7	29.2	26.9	26.8	19.3																
	kW	5.20	5.14	5.42	4.90	4.72	5.07	5.00	5.23	4.87	4.69	4.94	4.86	5.05	4.83	4.67																

NOTE: ALL CAPACITIES INCLUDE INDOOR FAN HEAT. kW VALUES ARE FOR THE SYSTEM (OUTDOOR + INDOOR).

Green shaded cells are ACCA (TVA) conditions.

Blue shaded cells are AHRI conditions.

Multipliers for determining the performance with other indoor sections.

NOTE: For dry bulb temperatures different than those listed (between 73°F to 87°F), sensible capacity increases by 1060 BTUH per 1000 CFM per degree above the listed temperature and decreases by 1060 BTUH per 1000 CFM per degree below the listed temperature.

Air Handlers	Coils	T.C.	S.C.	kW
-	CF/CM/CU42C	1.00	1.00	1.00
AE36BX21	-	1.01	1.04	0.99
AE36CX21	-	1.02	1.08	1.00
AE42CX21	-	1.02	1.08	1.00
AE48CX21	-	1.02	1.03	0.98
AE48DX21	-	1.02	1.03	0.98
AE60CX21	-	1.02	1.12	0.94
AE60CX22	-	1.02	1.08	0.94
AE60DX21	-	1.02	1.10	0.96
AP36BX21	-	1.01	1.06	0.94
AP36CX21	-	1.01	1.05	0.94
AP37CX21	-	1.01	1.05	0.94
AP48CX21	-	1.02	1.13	0.98
AVC36BX21	-	1.01	1.04	0.99
AVC36CX21	-	1.02	1.05	1.02
AVC42CX21	-	1.02	1.03	0.99
AVC48CX21	-	1.02	1.04	0.98
AVC48DX21	-	1.02	1.08	0.98
AVC60CX22	-	1.01	1.03	0.91
AVC60DX21	-	1.02	1.12	0.94
ME12BN21	CF42B	1.01	1.03	0.99

Air Handlers	Coils	T.C.	S.C.	kW
ME12CN21	CF/CM42C	1.02	1.12	1.00
ME12CN21	CF/CM48C	1.02	1.12	0.98
ME12CN21	CF/CM50C	1	1.09	0.94
ME12CN21	CF/CM60C	1.02	1.09	0.92
ME14DN21	CF/CM42D	1.02	1.10	1.00
ME14DN21	CF/CM48D	1.02	1.10	0.98
ME14DN21	CF/CM61D	1.00	1.08	0.90
ME14DN21	CF/CM64D	1.02	1.12	0.90
ME16CN21	CF/CM42C	1.02	1.06	0.99
ME16CN21	CF/CM48C	1.02	1.05	0.98
ME16CN21	CF/CM50C	0.99	1.03	0.93
ME16CN21	CF/CM60C	1.02	1.03	0.93
ME20DN21	CF/CM42D	1.02	1.15	1.00
ME20DN21	CF/CM48D	1.02	1.15	1.00
ME20DN21	CF/CM61D	1.01	1.12	0.90
ME20DN21	CF/CM64D	1.02	1.15	0.90
ME12CN41	CF/CM42C	1.01	1.11	1.08
ME12CN41	CF/CM48C	1.01	1.11	1.05
ME12CN41	CF/CM60C	1.01	1.08	0.99
ME14DN41	CF/CM42D	1.01	1.08	1.08
ME14DN41	CF/CM48D	1.01	1.08	1.05

Air Handlers	Coils	T.C.	S.C.	kW
ME14DN41	CF/CM60D	1.01	1.10	0.99
ME14DN41	CF/CM64D	1.01	1.09	0.97
ME16CN41	CF/CM42C	1.00	1.04	1.07
ME16CN41	CF/CM48C	1.01	1.03	1.05
ME16CN41	CF/CM60C	1.00	1.02	1.00
ME20DN41	CF/CM42D	1.01	1.11	1.08
ME20DN41	CF/CM48D	1.01	1.11	1.08
ME20DN41	CF/CM60D	1.01	1.12	0.99
ME20DN41	CF/CM64D	1.01	1.13	0.97
MVC12BN21	CF42B	1.02	1.06	0.97
MVC12CN21	CF/CM42C	1.02	1.04	0.99
MVC12CN21	CF/CM48C	1.02	1.07	0.98
MVC12CN21	CF/CM50C	1.00	1.07	0.94
MVC12CN21	CF/CM60C	1.01	1.01	0.93
MVC14DN21	CF/CM42D	1.02	1.14	1.02
MVC14DN21	CF/CM48D	1.02	1.10	1.00
MVC14DN21	CF/CM61D	1.01	1.10	0.90
MVC14DN21	CF/CM64D	1.02	1.08	0.92
MVC16CN21	CF/CM42C	1.02	1.07	1.00
MVC16CN21	CF/CM48C	1.02	1.07	0.98
MVC16CN21	CF/CM50C	1.00	1.06	0.94
MVC16CN21	CF/CM60C	1.01	1.04	0.93
MVC20DN21	CF/CM42D	1.02	1.09	1.02
MVC20DN21	CF/CM48D	1.02	1.15	0.98
MVC20DN21	CF/CM61D	1.01	1.09	0.90
MVC20DN21	CF/CM64D	1.02	1.12	0.92
MVC20DN21	CF/CM61D	1.01	1.08	1.01
MVC20DN21	CF/CM64D	1.02	1.08	1.02

Furnaces	Coils	T.C.	S.C.	kW
TM8E040A12MP11	CF42B	1.01	1.07	0.97
TM8E060A12MP11	CF42B	1.01	1.08	0.97
TM8E080B12MP11	CF/CM/CU42C	1.02	1.11	0.95
TM8E080B12MP11	CF/CM/CU48C	1.01	1.02	0.95
TM8E080B12MP11	CF/CM/CU60C	1.00	1.00	0.90
TM8E080B12MP11	CF/CM50C	0.99	1.09	0.93
TM8E080B12MP11	CF42B	1.01	1.08	0.97
TM8E080C16MP11	CF/CM/CU42C	1.02	1.06	0.99
TM8E080C16MP11	CF/CM/CU48C	1.02	1.05	0.95
TM8E080C16MP11	CF/CM/CU48D	1.02	1.05	0.97
TM8E080C16MP11	CF/CM/CU60C	1.01	1.03	0.93
TM8E080C16MP11	CF/CM42D	1.02	1.07	0.98
TM8E080C16MP11	CF/CM50C	0.99	1.03	0.93
TM8E080C16MP11	CF/CM61D	1.00	1.13	0.90
TM8E080C16MP11	CF/CM64D	1.02	1.07	0.90
TM8E080C20MP11	CF/CM/CU42C	1.02	1.12	1.00
TM8E080C20MP11	CF/CM/CU48C	1.02	1.12	0.96
TM8E080C20MP11	CF/CM/CU48D	1.02	1.14	0.98
TM8E080C20MP11	CF/CM/CU60C	1.02	1.10	0.94
TM8E080C20MP11	CF/CM42D	1.02	1.14	0.98
TM8E080C20MP11	CF/CM50C	1.00	1.10	0.92
TM8E080C20MP11	CF/CM61D	1.00	1.12	0.90
TM8E080C20MP11	CF/CM64D	1.02	1.15	0.90
TM8E100B12MP11	CF/CM/CU42C	1.01	1.05	0.99
TM8E100B12MP11	CF/CM/CU48C	1.02	1.05	0.97
TM8E100B12MP11	CF/CM/CU60C	1.01	1.02	0.90

Furnaces	Coils	T.C.	S.C.	kW
TM8E100B12MP11	CF/CM50C	0.98	1.02	0.90
TM8E100B12MP11	CF42B	1.01	1.03	0.96
TM8E100C16MP11	CF/CM/CU42C	1.02	1.06	0.99
TM8E100C16MP11	CF/CM/CU48C	1.02	1.07	0.96
TM8E100C16MP11	CF/CM/CU48D	1.02	1.07	0.96
TM8E100C16MP11	CF/CM/CU60C	1.01	1.04	0.91
TM8E100C16MP11	CF/CM42D	1.02	1.06	0.99
TM8E100C16MP11	CF/CM50C	0.99	1.04	0.93
TM8E100C16MP11	CF/CM61D	0.99	1.04	0.89
TM8E100C16MP11	CF/CM64D	1.02	1.08	0.90
TM8E100C20MP11	CF/CM/CU42C	1.02	1.12	1.00
TM8E100C20MP11	CF/CM/CU48C	1.02	1.12	0.96
TM8E100C20MP11	CF/CM/CU48D	1.02	1.14	0.98
TM8E100C20MP11	CF/CM/CU60C	1.02	1.10	0.94
TM8E100C20MP11	CF/CM42D	1.02	1.14	0.98
TM8E100C20MP11	CF/CM50C	1.00	1.10	0.92
TM8E100C20MP11	CF/CM61D	1.00	1.10	0.88
TM8E100C20MP11	CF/CM64D	1.02	1.15	0.90
TM8E120C16MP11	CF/CM/CU42C	1.02	1.06	0.99
TM8E120C16MP11	CF/CM/CU48C	1.02	1.07	0.96
TM8E120C16MP11	CF/CM/CU48D	1.02	1.07	0.96
TM8E120C16MP11	CF/CM/CU60C	1.01	1.04	0.93
TM8E120C16MP11	CF/CM42D	1.02	1.06	0.97
TM8E120C16MP11	CF/CM50C	0.99	1.04	0.93
TM8E120C16MP11	CF/CM61D	1.00	1.14	0.90
TM8E120C16MP11	CF/CM64D	1.02	1.08	0.90
TM8E120C20MP11	CF/CM/CU42C	1.02	1.14	0.98
TM8E120C20MP11	CF/CM/CU48C	1.02	1.15	0.98
TM8E120C20MP11	CF/CM/CU48D	1.02	1.15	0.96
TM8E120C20MP11	CF/CM/CU60C	1.02	1.12	0.92
TM8E120C20MP11	CF/CM/CU60D	1.02	1.14	0.94
TM8E120C20MP11	CF/CM42D	1.02	1.15	1.00
TM8E120C20MP11	CF/CM50C	1.00	1.12	0.94
TM8E120C20MP11	CF/CM61D	1.00	1.12	0.88
TM8E120C20MP11	CF/CM64D	1.02	1.18	0.90
TM8E130D20MP11	CF/CM/CU48D	1.02	1.15	0.96
TM8E130D20MP11	CF/CM42D	1.02	1.15	1.00
TM8E130D20MP11	CF/CM61D	1.01	1.13	0.88
TM8E130D20MP11	CF/CM64D	1.02	1.18	0.90
TM8V060A12MP12C	CF42B	1.00	1.02	0.96
TM8V080B12MP12C	CF/CM/CU42C	1.01	1.05	0.96
TM8V080B12MP12C	CF/CM/CU48C	1.01	1.03	0.92
TM8V080B12MP12C	CF/CM/CU60C	1.00	1.02	0.92
TM8V080B12MP12C	CF42B	1.00	1.04	0.96
TM8V080C16MP12C	CF/CM/CU42C	1.01	1.03	0.97
TM8V080C16MP12C	CF/CM/CU48C	1.02	1.03	0.95
TM8V080C16MP12C	CF/CM/CU48D	1.02	1.03	0.95
TM8V080C16MP12C	CF/CM/CU60C	1.01	1.00	0.90
TM8V080C16MP12C	CF/CM42D	1.01	1.03	0.99
TM8V080C16MP12C	CF/CM50C	0.99	1.07	0.91
TM8V080C16MP12C	CF/CM61D	0.99	1.09	0.89
TM8V080C16MP12C	CF/CM64D	1.02	1.10	0.88
TM8V100C16MP12C	CF/CM/CU42C	1.01	1.03	0.97
TM8V100C16MP12C	CF/CM/CU48C	1.02	1.03	0.95
TM8V100C16MP12C	CF/CM/CU48D	1.02	1.03	0.95
TM8V100C16MP12C	CF/CM/CU60C	1.01	1.00	0.90

Furnaces	Coils	T.C.	S.C.	kW
TM8V100C16MP12C	CF/CM42D	1.01	1.03	0.99
TM8V100C16MP12C	CF/CM50C	0.99	1.07	0.91
TM8V100C16MP12C	CF/CM61D	0.99	1.09	0.89
TM8V100C16MP12C	CF/CM64D	1.02	1.10	0.88
TM8V100C20MP12C	CF/CM/CU42C	1.02	1.11	1.00
TM8V100C20MP12C	CF/CM/CU48C	1.02	1.12	0.96
TM8V100C20MP12C	CF/CM/CU48D	1.02	1.12	0.98
TM8V100C20MP12C	CF/CM/CU60C	1.02	1.14	0.92
TM8V100C20MP12C	CF/CM42D	1.02	1.11	0.98
TM8V100C20MP12C	CF/CM50C	1.00	1.10	0.94
TM8V100C20MP12C	CF/CM61D	1.00	1.10	0.88
TM8V100C20MP12C	CF/CM64D	1.02	1.21	0.88
TM8V120C20MP12C	CF/CM/CU42C	1.02	1.11	1.00
TM8V120C20MP12C	CF/CM/CU48C	1.02	1.12	0.96
TM8V120C20MP12C	CF/CM/CU48D	1.02	1.12	0.98
TM8V120C20MP12C	CF/CM/CU60C	1.02	1.14	0.92
TM8V120C20MP12C	CF/CM42D	1.02	1.11	0.98
TM8V120C20MP12C	CF/CM50C	1.00	1.10	0.94
TM8V120C20MP12C	CF/CM61D	1.00	1.10	0.88
TM8V120C20MP12C	CF/CM64D	1.02	1.21	0.88
TM8X060A12MP11	CF42B	1.01	1.05	0.94
TM8X080B12MP11	CF/CM/CU42C	1.02	1.09	0.97
TM8X080B12MP11	CF/CM/CU48C	1.02	1.09	0.98
TM8X080B12MP11	CF/CM/CU60C	1.01	1.07	0.91
TM8X080B12MP11	CF/CM50C	0.99	1.07	0.91
TM8X080B12MP11	CF42B	1.01	1.07	0.95
TM8X080C16MP11	CF/CM/CU42C	1.02	1.08	0.97
TM8X080C16MP11	CF/CM/CU48C	1.02	1.07	0.98
TM8X080C16MP11	CF/CM/CU48D	1.02	1.07	0.98
TM8X080C16MP11	CF/CM/CU60C	1.01	1.05	0.91
TM8X080C16MP11	CF/CM42D	1.02	1.08	1.00
TM8X080C16MP11	CF/CM50C	0.99	1.06	0.91
TM8X080C16MP11	CF/CM61D	0.99	1.06	0.87
TM8X080C16MP11	CF/CM64D	1.02	1.20	0.90
TM8X100C16MP11	CF/CM/CU42C	1.02	1.08	0.97
TM8X100C16MP11	CF/CM/CU48C	1.02	1.07	0.98
TM8X100C16MP11	CF/CM/CU48D	1.02	1.07	0.98
TM8X100C16MP11	CF/CM/CU60C	1.01	1.05	0.91
TM8X100C16MP11	CF/CM42D	1.02	1.08	1.00
TM8X100C16MP11	CF/CM50C	0.99	1.06	0.91
TM8X100C16MP11	CF/CM61D	0.99	1.06	0.87
TM8X100C16MP11	CF/CM64D	1.02	1.20	0.90
TM8X100C20MP11	CF/CM/CU42C	1.02	1.11	0.98
TM8X100C20MP11	CF/CM/CU48C	1.02	1.12	0.98
TM8X100C20MP11	CF/CM/CU48D	1.02	1.12	0.98
TM8X100C20MP11	CF/CM/CU60C	1.02	1.09	0.94
TM8X100C20MP11	CF/CM42D	1.02	1.13	1.00
TM8X100C20MP11	CF/CM50C	1.00	1.09	0.94
TM8X100C20MP11	CF/CM61D	1.00	1.09	0.90
TM8X100C20MP11	CF/CM64D	1.02	1.22	0.88
TM8X120C20MP11	CF/CM/CU42C	1.02	1.11	0.98
TM8X120C20MP11	CF/CM/CU48C	1.02	1.12	0.98
TM8X120C20MP11	CF/CM/CU48D	1.02	1.12	0.98
TM8X120C20MP11	CF/CM/CU60C	1.02	1.09	0.94
TM8X120C20MP11	CF/CM42D	1.02	1.13	1.00
TM8X120C20MP11	CF/CM50C	1.00	1.09	0.94

Furnaces	Coils	T.C.	S.C.	kW
TM8X120C20MP11	CF/CM61D	1.00	1.09	0.90
TM8X120C20MP11	CF/CM64D	1.02	1.22	0.88
TM8Y060A12MP11	CF42B	1.01	1.05	0.94
TM8Y080B12MP11	CF/CM/CU42C	1.02	1.09	0.97
TM8Y080B12MP11	CF/CM/CU48C	1.02	1.09	0.98
TM8Y080B12MP11	CF/CM/CU60C	1.01	1.07	0.91
TM8Y080B12MP11	CF/CM50C	0.99	1.07	0.91
TM8Y080B12MP11	CF42B	1.01	1.07	0.95
TM8Y080C16MP11	CF/CM/CU42C	1.02	1.08	0.97
TM8Y080C16MP11	CF/CM/CU48C	1.02	1.07	0.98
TM8Y080C16MP11	CF/CM/CU48D	1.02	1.07	0.98
TM8Y080C16MP11	CF/CM/CU60C	1.01	1.05	0.91
TM8Y080C16MP11	CF/CM42D	1.02	1.08	1.00
TM8Y080C16MP11	CF/CM50C	0.99	1.06	0.91
TM8Y080C16MP11	CF/CM61D	0.99	1.06	0.87
TM8Y080C16MP11	CF/CM64D	1.02	1.20	0.90
TM8Y100C16MP11	CF/CM/CU42C	1.02	1.08	0.97
TM8Y100C16MP11	CF/CM/CU48C	1.02	1.07	0.98
TM8Y100C16MP11	CF/CM/CU48D	1.02	1.07	0.98
TM8Y100C16MP11	CF/CM/CU60C	1.01	1.05	0.91
TM8Y100C16MP11	CF/CM42D	1.02	1.08	1.00
TM8Y100C16MP11	CF/CM50C	0.99	1.06	0.91
TM8Y100C16MP11	CF/CM61D	0.99	1.06	0.87
TM8Y100C16MP11	CF/CM64D	1.02	1.20	0.90
TM8Y100C20MP11	CF/CM/CU42C	1.02	1.11	0.98
TM8Y100C20MP11	CF/CM/CU48C	1.02	1.12	0.98
TM8Y100C20MP11	CF/CM/CU48D	1.02	1.12	0.98
TM8Y100C20MP11	CF/CM/CU60C	1.02	1.09	0.94
TM8Y100C20MP11	CF/CM42D	1.02	1.13	1.00
TM8Y100C20MP11	CF/CM50C	1.00	1.09	0.94
TM8Y100C20MP11	CF/CM61D	1.00	1.09	0.90
TM8Y100C20MP11	CF/CM64D	1.02	1.22	0.88
TM8Y120C20MP11	CF/CM/CU42C	1.02	1.11	0.98
TM8Y120C20MP11	CF/CM/CU48C	1.02	1.12	0.98
TM8Y120C20MP11	CF/CM/CU48D	1.02	1.12	0.98
TM8Y120C20MP11	CF/CM/CU60C	1.02	1.09	0.94
TM8Y120C20MP11	CF/CM42D	1.02	1.13	1.00
TM8Y120C20MP11	CF/CM50C	1.00	1.09	0.94
TM8Y120C20MP11	CF/CM61D	1.00	1.09	0.90
TM8Y120C20MP11	CF/CM64D	1.02	1.22	0.88
TM9E060A10MP12	CF42B	1.00	1.04	0.94
TM9E060B12MP11	CF/CM/CU42C	1.01	1.05	0.96
TM9E060B12MP11	CF/CM/CU48C	1.01	1.06	0.93
TM9E060B12MP11	CF/CM/CU60C	0.99	1.02	0.91
TM9E060B12MP11	CF/CM50C	0.98	1.05	0.92
TM9E060B12MP11	CF42B	1.00	1.04	0.96
TM9E060B12MP12	CF/CM/CU42C	1.01	1.05	0.96
TM9E060B12MP12	CF/CM/CU48C	1.01	1.03	0.94
TM9E060B12MP12	CF/CM/CU60C	1.00	1.02	0.90
TM9E060B12MP12	CF/CM50C	0.98	1.02	0.91
TM9E060B12MP12	CF42B	1.00	1.02	0.96
TM9E080B12MP11	CF/CM/CU42C	1.01	1.07	0.97
TM9E080B12MP11	CF/CM/CU48C	1.02	1.09	0.98
TM9E080B12MP11	CF/CM/CU60C	1.01	1.05	0.90
TM9E080B12MP11	CF/CM50C	0.99	1.07	0.91
TM9E080B12MP11	CF42B	1.01	1.06	0.94

Furnaces	Coils	T.C.	S.C.	kW
TM9E080B12MP12	CF/CM/CU42C	1.01	1.04	0.96
TM9E080B12MP12	CF/CM/CU48C	1.01	1.03	0.97
TM9E080B12MP12	CF/CM/CU60C	1.01	1.09	0.93
TM9E080B12MP12	CF/CM50C	0.99	1.09	0.93
TM9E080B12MP12	CF42B	1.01	1.08	0.95
TM9E080C16MP11	CF/CM/CU42C	1.02	1.12	0.98
TM9E080C16MP11	CF/CM/CU48C	1.02	1.07	0.96
TM9E080C16MP11	CF/CM/CU48D	1.02	1.07	0.96
TM9E080C16MP11	CF/CM/CU60C	1.02	1.09	0.91
TM9E080C16MP11	CF/CM42D	1.02	1.08	0.99
TM9E080C16MP11	CF/CM50C	0.99	1.10	0.91
TM9E080C16MP11	CF/CM61D	0.99	1.10	0.91
TM9E080C16MP11	CF/CM64D	1.02	1.15	0.88
TM9E080C16MP12	CF/CM/CU42C	1.02	1.13	0.98
TM9E080C16MP12	CF/CM/CU48C	1.02	1.05	0.97
TM9E080C16MP12	CF/CM/CU48D	1.02	1.05	0.97
TM9E080C16MP12	CF/CM/CU60C	1.02	1.11	0.92
TM9E080C16MP12	CF/CM42D	1.02	1.14	0.98
TM9E080C16MP12	CF/CM50C	0.99	1.11	0.91
TM9E080C16MP12	CF/CM61D	0.99	1.11	0.91
TM9E080C16MP12	CF/CM64D	1.02	1.15	0.88
TM9E080C20MP12	CF/CM/CU42C	1.02	1.11	1.00
TM9E080C20MP12	CF/CM/CU48C	1.02	1.12	0.96
TM9E080C20MP12	CF/CM/CU48D	1.02	1.12	0.98
TM9E080C20MP12	CF/CM/CU60C	1.02	1.09	0.94
TM9E080C20MP12	CF/CM42D	1.02	1.13	0.98
TM9E080C20MP12	CF/CM50C	1.00	1.09	0.92
TM9E080C20MP12	CF/CM61D	1.00	1.10	0.88
TM9E080C20MP12	CF/CM64D	1.02	1.15	0.88
TM9E100C16MP11	CF/CM/CU42C	1.02	1.14	0.98
TM9E100C16MP11	CF/CM/CU48C	1.02	1.13	0.96
TM9E100C16MP11	CF/CM/CU48D	1.02	1.14	0.98
TM9E100C16MP11	CF/CM/CU60C	1.02	1.11	0.92
TM9E100C16MP11	CF/CM42D	1.02	1.08	0.98
TM9E100C16MP11	CF/CM50C	0.99	1.11	0.91
TM9E100C16MP11	CF/CM61D	0.99	1.11	0.91
TM9E100C16MP11	CF/CM64D	1.02	1.15	0.88
TM9E100C16MP12	CF/CM/CU42C	1.01	1.04	0.97
TM9E100C16MP12	CF/CM/CU48C	1.02	1.13	0.96
TM9E100C16MP12	CF/CM/CU48D	1.02	1.14	0.98
TM9E100C16MP12	CF/CM/CU60C	1.02	1.11	0.92
TM9E100C16MP12	CF/CM42D	1.01	1.04	0.99
TM9E100C16MP12	CF/CM50C	0.99	1.11	0.91
TM9E100C16MP12	CF/CM61D	1.00	1.13	0.92
TM9E100C16MP12	CF/CM64D	1.02	1.15	0.88
TM9E100C20MP11	CF/CM/CU42C	1.02	1.08	0.98
TM9E100C20MP11	CF/CM/CU48C	1.02	1.08	0.96
TM9E100C20MP11	CF/CM/CU48D	1.02	1.10	0.98
TM9E100C20MP11	CF/CM/CU60C	1.02	1.14	0.92
TM9E100C20MP11	CF/CM42D	1.02	1.09	0.98
TM9E100C20MP11	CF/CM50C	0.99	1.07	0.91
TM9E100C20MP11	CF/CM61D	0.99	1.08	0.89
TM9E100C20MP11	CF/CM64D	1.02	1.20	0.88
TM9E100C20MP12	CF/CM/CU42C	1.02	1.11	0.98
TM9E100C20MP12	CF/CM/CU48C	1.02	1.12	0.98
TM9E100C20MP12	CF/CM/CU48D	1.02	1.12	0.98

Furnaces	Coils	T.C.	S.C.	kW
TM9E100C20MP12	CF/CM/CU60C	1.02	1.09	0.94
TM9E100C20MP12	CF/CM42D	1.02	1.11	0.98
TM9E100C20MP12	CF/CM50C	0.99	1.08	0.91
TM9E100C20MP12	CF/CM61D	1.00	1.09	0.90
TM9E100C20MP12	CF/CM64D	1.02	1.14	0.90
TM9E120D20MP11	CF/CM/CU48D	1.02	1.12	0.96
TM9E120D20MP11	CF/CM42D	1.02	1.12	1.00
TM9E120D20MP11	CF/CM61D	1.00	1.10	0.88
TM9E120D20MP11	CF/CM64D	1.02	1.22	0.88
TM9E120D20MP12	CF/CM/CU48D	1.02	1.12	0.98
TM9E120D20MP12	CF/CM42D	1.02	1.12	1.00
TM9E120D20MP12	CF/CM61D	1.00	1.10	0.88
TM9E120D20MP12	CF/CM64D	1.02	1.15	0.90
TM9V060B12MP12C	CF/CM/CU42C	1.01	1.05	0.96
TM9V060B12MP12C	CF/CM/CU48C	1.01	1.03	0.94
TM9V060B12MP12C	CF/CM/CU60C	1.00	1.02	0.92
TM9V060B12MP12C	CF/CM50C	0.98	1.03	0.91
TM9V060B12MP12C	CF42B	1.00	1.04	0.94
TM9V080B12MP12C	CF/CM/CU42C	1.01	1.07	0.97
TM9V080B12MP12C	CF/CM/CU48C	1.02	1.11	0.96
TM9V080B12MP12C	CF/CM/CU60C	1.01	1.09	0.93
TM9V080B12MP12C	CF/CM50C	0.99	1.07	0.93
TM9V080B12MP12C	CF42B	1.01	1.07	0.97
TM9V080C16MP12C	CF/CM/CU42C	1.02	1.06	0.97
TM9V080C16MP12C	CF/CM/CU48C	1.02	1.14	0.96
TM9V080C16MP12C	CF/CM/CU48D	1.02	1.14	0.96
TM9V080C16MP12C	CF/CM/CU60C	1.02	1.11	0.92
TM9V080C16MP12C	CF/CM42D	1.02	1.10	0.98
TM9V080C16MP12C	CF/CM50C	0.99	1.09	0.91
TM9V080C16MP12C	CF/CM61D	0.99	1.13	0.93
TM9V080C16MP12C	CF/CM64D	1.02	1.20	0.92
TM9V100C16MP12C	CF/CM/CU42C	1.02	1.11	0.98
TM9V100C16MP12C	CF/CM/CU48C	1.02	1.14	0.96
TM9V100C16MP12C	CF/CM/CU48D	1.02	1.14	0.96
TM9V100C16MP12C	CF/CM/CU60C	1.02	1.14	0.92
TM9V100C16MP12C	CF/CM42D	1.02	1.12	0.98
TM9V100C16MP12C	CF/CM50C	1.00	1.13	0.92
TM9V100C16MP12C	CF/CM61D	1.00	1.13	0.90
TM9V100C16MP12C	CF/CM64D	1.02	1.17	0.90
TM9V100C20MP12C	CF/CM/CU42C	1.02	1.11	0.98
TM9V100C20MP12C	CF/CM/CU48C	1.02	1.14	0.98
TM9V100C20MP12C	CF/CM/CU48D	1.02	1.14	0.96
TM9V100C20MP12C	CF/CM/CU60C	1.02	1.14	0.92
TM9V100C20MP12C	CF/CM42D	1.02	1.11	0.98
TM9V100C20MP12C	CF/CM50C	0.99	1.12	0.91
TM9V100C20MP12C	CF/CM61D	1.00	1.13	0.92
TM9V100C20MP12C	CF/CM64D	1.02	1.19	0.88
TM9V120D20MP12C	CF/CM/CU48D	1.02	1.15	0.96
TM9V120D20MP12C	CF/CM42D	1.02	1.13	0.98
TM9V120D20MP12C	CF/CM61D	1.00	1.14	0.90
TM9V120D20MP12C	CF/CM64D	1.02	1.22	0.88
TM9Y060B12MP11	CF/CM/CU42C	1.01	1.05	0.96
TM9Y060B12MP11	CF/CM/CU48C	1.01	1.06	0.93
TM9Y060B12MP11	CF/CM/CU60C	0.99	1.02	0.91
TM9Y060B12MP11	CF/CM50C	0.98	1.05	0.92
TM9Y060B12MP11	CF42B	1.00	1.04	0.96

Furnaces	Coils	T.C.	S.C.	kW
TM9Y080B12MP11	CF/CM/CU42C	1.01	1.07	0.97
TM9Y080B12MP11	CF/CM/CU48C	1.02	1.09	0.98
TM9Y080B12MP11	CF/CM/CU60C	1.01	1.05	0.90
TM9Y080B12MP11	CF/CM50C	0.99	1.07	0.91
TM9Y080B12MP11	CF42B	1.01	1.06	0.94
TM9Y080C16MP11	CF/CM/CU42C	1.02	1.12	0.98
TM9Y080C16MP11	CF/CM/CU48C	1.02	1.07	0.96
TM9Y080C16MP11	CF/CM/CU48D	1.02	1.07	0.96
TM9Y080C16MP11	CF/CM/CU60C	1.02	1.09	0.91
TM9Y080C16MP11	CF/CM42D	1.02	1.08	0.99
TM9Y080C16MP11	CF/CM50C	0.99	1.10	0.91
TM9Y080C16MP11	CF/CM61D	0.99	1.10	0.91
TM9Y080C16MP11	CF/CM64D	1.02	1.15	0.88
TM9Y100C16MP11	CF/CM/CU42C	1.02	1.14	0.98
TM9Y100C16MP11	CF/CM/CU48C	1.02	1.13	0.96
TM9Y100C16MP11	CF/CM/CU48D	1.02	1.14	0.98
TM9Y100C16MP11	CF/CM/CU60C	1.02	1.11	0.92
TM9Y100C16MP11	CF/CM42D	1.02	1.08	0.98
TM9Y100C16MP11	CF/CM50C	0.99	1.11	0.91
TM9Y100C16MP11	CF/CM61D	0.99	1.11	0.91
TM9Y100C16MP11	CF/CM64D	1.02	1.15	0.88
TM9Y100C20MP11	CF/CM/CU42C	1.02	1.08	0.98
TM9Y100C20MP11	CF/CM/CU48C	1.02	1.08	0.96
TM9Y100C20MP11	CF/CM/CU48D	1.02	1.10	0.98
TM9Y100C20MP11	CF/CM/CU60C	1.02	1.14	0.92
TM9Y100C20MP11	CF/CM42D	1.02	1.09	0.98
TM9Y100C20MP11	CF/CM50C	0.99	1.07	0.91
TM9Y100C20MP11	CF/CM61D	0.99	1.08	0.89
TM9Y100C20MP11	CF/CM64D	1.02	1.20	0.88
TM9Y120D20MP11	CF/CM/CU48D	1.02	1.12	0.96
TM9Y120D20MP11	CF/CM42D	1.02	1.12	1.00
TM9Y120D20MP11	CF/CM61D	1.00	1.10	0.88
TM9Y120D20MP11	CF/CM64D	1.02	1.22	0.88
TMLE040A12MP11	CF42B	1.01	1.07	0.97
TMLE060A12MP11	CF42B	1.01	1.08	0.97
TMLE080B12MP11	CF/CM/CU42C	1.02	1.11	0.95
TMLE080B12MP11	CF/CM/CU48C	1.01	1.02	0.95
TMLE080B12MP11	CF/CM/CU60C	1.00	1.00	0.90
TMLE080B12MP11	CF/CM50C	0.99	1.09	0.93
TMLE080B12MP11	CF42B	1.01	1.08	0.97
TMLE080C16MP11	CF/CM/CU42C	1.02	1.06	0.99
TMLE080C16MP11	CF/CM/CU48C	1.02	1.05	0.95
TMLE080C16MP11	CF/CM/CU48D	1.02	1.05	0.97
TMLE080C16MP11	CF/CM/CU60C	1.01	1.03	0.93
TMLE080C16MP11	CF/CM42D	1.02	1.07	0.98
TMLE080C16MP11	CF/CM50C	0.99	1.03	0.93
TMLE080C16MP11	CF/CM61D	1.00	1.13	0.90
TMLE080C16MP11	CF/CM64D	1.02	1.07	0.90
TMLE080C20MP11	CF/CM/CU42C	1.02	1.12	1.00
TMLE080C20MP11	CF/CM/CU48C	1.02	1.12	0.96
TMLE080C20MP11	CF/CM/CU48D	1.02	1.14	0.98
TMLE080C20MP11	CF/CM/CU60C	1.02	1.10	0.94
TMLE080C20MP11	CF/CM42D	1.02	1.14	0.98
TMLE080C20MP11	CF/CM50C	1.00	1.10	0.92
TMLE080C20MP11	CF/CM61D	1.00	1.12	0.90
TMLE080C20MP11	CF/CM64D	1.02	1.15	0.90

Furnaces	Coils	T.C.	S.C.	kW
TMLE100B12MP11	CF/CM/CU42C	1.01	1.05	0.99
TMLE100B12MP11	CF/CM/CU48C	1.02	1.05	0.97
TMLE100B12MP11	CF/CM/CU60C	1.01	1.02	0.90
TMLE100B12MP11	CF/CM50C	0.98	1.02	0.90
TMLE100B12MP11	CF42B	1.01	1.03	0.96
TMLE100C16MP11	CF/CM/CU42C	1.02	1.06	0.99
TMLE100C16MP11	CF/CM/CU48C	1.02	1.07	0.96
TMLE100C16MP11	CF/CM/CU48D	1.02	1.07	0.96
TMLE100C16MP11	CF/CM/CU60C	1.01	1.04	0.91
TMLE100C16MP11	CF/CM42D	1.02	1.06	0.99
TMLE100C16MP11	CF/CM50C	0.99	1.04	0.93
TMLE100C16MP11	CF/CM61D	0.99	1.04	0.89
TMLE100C16MP11	CF/CM64D	1.02	1.08	0.90
TMLE100C20MP11	CF/CM/CU42C	1.02	1.12	1.00
TMLE100C20MP11	CF/CM/CU48C	1.02	1.12	0.96
TMLE100C20MP11	CF/CM/CU48D	1.02	1.14	0.98
TMLE100C20MP11	CF/CM/CU60C	1.02	1.10	0.94
TMLE100C20MP11	CF/CM42D	1.02	1.14	0.98
TMLE100C20MP11	CF/CM50C	1.00	1.10	0.92
TMLE100C20MP11	CF/CM61D	1.00	1.10	0.88
TMLE100C20MP11	CF/CM64D	1.02	1.15	0.90
TMLE120C16MP11	CF/CM/CU42C	1.02	1.06	0.99
TMLE120C16MP11	CF/CM/CU48C	1.02	1.07	0.96
TMLE120C16MP11	CF/CM/CU48D	1.02	1.07	0.96
TMLE120C16MP11	CF/CM/CU60C	1.01	1.04	0.93
TMLE120C16MP11	CF/CM42D	1.02	1.06	0.97
TMLE120C16MP11	CF/CM50C	0.99	1.04	0.93
TMLE120C16MP11	CF/CM61D	1.00	1.14	0.90
TMLE120C16MP11	CF/CM64D	1.02	1.08	0.90
TMLE120C20MP11	CF/CM/CU42C	1.02	1.14	0.98
TMLE120C20MP11	CF/CM/CU48C	1.02	1.15	0.98
TMLE120C20MP11	CF/CM/CU48D	1.02	1.15	0.96
TMLE120C20MP11	CF/CM/CU60C	1.02	1.12	0.92
TMLE120C20MP11	CF/CM/CU60D	1.02	1.14	0.94
TMLE120C20MP11	CF/CM42D	1.02	1.15	1.00
TMLE120C20MP11	CF/CM50C	1.00	1.12	0.94
TMLE120C20MP11	CF/CM61D	1.00	1.12	0.88
TMLE120C20MP11	CF/CM64D	1.02	1.18	0.90
TMLE130D20MP11	CF/CM/CU48D	1.02	1.15	0.96
TMLE130D20MP11	CF/CM42D	1.02	1.15	1.00
TMLE130D20MP11	CF/CM61D	1.01	1.13	0.88
TMLE130D20MP11	CF/CM64D	1.02	1.18	0.90
TMLV060A12MP12C	CF42B	1.00	1.02	0.96
TMLV080B12MP12C	CF/CM/CU42C	1.01	1.05	0.96
TMLV080B12MP12C	CF/CM/CU48C	1.01	1.03	0.92
TMLV080B12MP12C	CF/CM/CU60C	1.00	1.02	0.92
TMLV080B12MP12C	CF42B	1.00	1.04	0.96
TMLV080C16MP12C	CF/CM/CU42C	1.01	1.03	0.97
TMLV080C16MP12C	CF/CM/CU48C	1.02	1.03	0.95
TMLV080C16MP12C	CF/CM/CU48D	1.02	1.03	0.95
TMLV080C16MP12C	CF/CM/CU60C	1.01	1.00	0.90
TMLV080C16MP12C	CF/CM42D	1.01	1.03	0.99
TMLV080C16MP12C	CF/CM50C	0.99	1.07	0.91
TMLV080C16MP12C	CF/CM61D	0.99	1.09	0.89
TMLV080C16MP12C	CF/CM64D	1.02	1.10	0.88
TMLV100C16MP12C	CF/CM/CU42C	1.01	1.03	0.97

Furnaces	Coils	T.C.	S.C.	kW
TMLV100C16MP12C	CF/CM/CU48C	1.02	1.03	0.95
TMLV100C16MP12C	CF/CM/CU48D	1.02	1.03	0.95
TMLV100C16MP12C	CF/CM/CU60C	1.01	1.00	0.90
TMLV100C16MP12C	CF/CM42D	1.01	1.03	0.99
TMLV100C16MP12C	CF/CM50C	0.99	1.07	0.91
TMLV100C16MP12C	CF/CM61D	0.99	1.09	0.89
TMLV100C16MP12C	CF/CM64D	1.02	1.10	0.88
TMLV100C20MP12C	CF/CM/CU42C	1.02	1.11	1.00
TMLV100C20MP12C	CF/CM/CU48C	1.02	1.12	0.96
TMLV100C20MP12C	CF/CM/CU48D	1.02	1.12	0.98
TMLV100C20MP12C	CF/CM/CU60C	1.02	1.14	0.92
TMLV100C20MP12C	CF/CM42D	1.02	1.11	0.98
TMLV100C20MP12C	CF/CM50C	1.00	1.10	0.94
TMLV100C20MP12C	CF/CM61D	1.00	1.10	0.88
TMLV100C20MP12C	CF/CM64D	1.02	1.21	0.88
TMLV120C20MP12C	CF/CM/CU42C	1.02	1.11	1.00
TMLV120C20MP12C	CF/CM/CU48C	1.02	1.12	0.96
TMLV120C20MP12C	CF/CM/CU48D	1.02	1.12	0.98
TMLV120C20MP12C	CF/CM/CU60C	1.02	1.14	0.92
TMLV120C20MP12C	CF/CM42D	1.02	1.11	0.98
TMLV120C20MP12C	CF/CM50C	1.00	1.10	0.94
TMLV120C20MP12C	CF/CM61D	1.00	1.10	0.88
TMLV120C20MP12C	CF/CM64D	1.02	1.21	0.88
TMLX060A12MP11	CF42B	1.01	1.05	0.94
TMLX080B12MP11	CF/CM/CU42C	1.02	1.09	0.97
TMLX080B12MP11	CF/CM/CU48C	1.02	1.09	0.98
TMLX080B12MP11	CF/CM/CU60C	1.01	1.07	0.91
TMLX080B12MP11	CF/CM50C	0.99	1.07	0.91
TMLX080B12MP11	CF42B	1.01	1.07	0.95
TMLX080C16MP11	CF/CM/CU42C	1.02	1.08	0.97
TMLX080C16MP11	CF/CM/CU48C	1.02	1.07	0.98
TMLX080C16MP11	CF/CM/CU48D	1.02	1.07	0.98
TMLX080C16MP11	CF/CM/CU60C	1.01	1.05	0.91
TMLX080C16MP11	CF/CM42D	1.02	1.08	1.00
TMLX080C16MP11	CF/CM50C	0.99	1.06	0.91
TMLX080C16MP11	CF/CM61D	0.99	1.06	0.87
TMLX080C16MP11	CF/CM64D	1.02	1.20	0.90
TMLX100C16MP11	CF/CM/CU42C	1.02	1.08	0.97
TMLX100C16MP11	CF/CM/CU48C	1.02	1.07	0.98
TMLX100C16MP11	CF/CM/CU48D	1.02	1.07	0.98
TMLX100C16MP11	CF/CM/CU60C	1.01	1.05	0.91
TMLX100C16MP11	CF/CM42D	1.02	1.08	1.00
TMLX100C16MP11	CF/CM50C	0.99	1.06	0.91
TMLX100C16MP11	CF/CM61D	0.99	1.06	0.87
TMLX100C16MP11	CF/CM64D	1.02	1.20	0.90
TMLX100C20MP11	CF/CM/CU42C	1.02	1.11	0.98
TMLX100C20MP11	CF/CM/CU48C	1.02	1.12	0.98
TMLX100C20MP11	CF/CM/CU48D	1.02	1.12	0.98
TMLX100C20MP11	CF/CM/CU60C	1.02	1.09	0.94
TMLX100C20MP11	CF/CM42D	1.02	1.13	1.00
TMLX100C20MP11	CF/CM50C	1.00	1.09	0.94
TMLX100C20MP11	CF/CM61D	1.00	1.09	0.90
TMLX100C20MP11	CF/CM64D	1.02	1.22	0.88
TMLX120C20MP11	CF/CM/CU42C	1.02	1.11	0.98
TMLX120C20MP11	CF/CM/CU48C	1.02	1.12	0.98
TMLX120C20MP11	CF/CM/CU48D	1.02	1.12	0.98

Furnaces	Coils	T.C.	S.C.	kW
TMLX120C20MP11	CF/CM/CU60C	1.02	1.09	0.94
TMLX120C20MP11	CF/CM42D	1.02	1.13	1.00
TMLX120C20MP11	CF/CM50C	1.00	1.09	0.94
TMLX120C20MP11	CF/CM61D	1.00	1.09	0.90
TMLX120C20MP11	CF/CM64D	1.02	1.22	0.88
TP9C060B12MP13C	CF/CM/CU42C	1.01	1.05	0.96
TP9C060B12MP13C	CF/CM/CU48C	1.01	1.03	0.94
TP9C060B12MP13C	CF/CM/CU60C	1.00	1.02	0.92
TP9C060B12MP13C	CF/CM50C	0.98	1.03	0.91
TP9C060B12MP13C	CF42B	1.00	1.04	0.94
TP9C080B12MP13C	CF/CM/CU42C	1.01	1.07	0.97
TP9C080B12MP13C	CF/CM/CU48C	1.02	1.11	0.96
TP9C080B12MP13C	CF/CM/CU60C	1.01	1.09	0.93
TP9C080B12MP13C	CF/CM50C	0.99	1.07	0.93
TP9C080B12MP13C	CF42B	1.01	1.07	0.97
TP9C080C16MP13C	CF/CM/CU42C	1.02	1.06	0.97
TP9C080C16MP13C	CF/CM/CU48C	1.02	1.14	0.96
TP9C080C16MP13C	CF/CM/CU48D	1.02	1.14	0.96
TP9C080C16MP13C	CF/CM/CU60C	1.02	1.11	0.92
TP9C080C16MP13C	CF/CM42D	1.02	1.10	0.98
TP9C080C16MP13C	CF/CM50C	0.99	1.09	0.91
TP9C080C16MP13C	CF/CM61D	0.99	1.13	0.93
TP9C080C16MP13C	CF/CM64D	1.02	1.20	0.92
TP9C100C16MP13C	CF/CM/CU42C	1.02	1.11	0.98
TP9C100C16MP13C	CF/CM/CU48C	1.02	1.14	0.96
TP9C100C16MP13C	CF/CM/CU48D	1.02	1.14	0.96
TP9C100C16MP13C	CF/CM/CU60C	1.02	1.14	0.92
TP9C100C16MP13C	CF/CM42D	1.02	1.12	0.98
TP9C100C16MP13C	CF/CM50C	1.00	1.13	0.92
TP9C100C16MP13C	CF/CM61D	1.00	1.13	0.90
TP9C100C16MP13C	CF/CM64D	1.02	1.17	0.90
TP9C100C20MP13C	CF/CM/CU42C	1.02	1.11	0.98
TP9C100C20MP13C	CF/CM/CU48C	1.02	1.14	0.98
TP9C100C20MP13C	CF/CM/CU48D	1.02	1.14	0.96
TP9C100C20MP13C	CF/CM/CU60C	1.02	1.14	0.92
TP9C100C20MP13C	CF/CM42D	1.02	1.11	0.98
TP9C100C20MP13C	CF/CM50C	0.99	1.12	0.91
TP9C100C20MP13C	CF/CM61D	1.00	1.13	0.92
TP9C100C20MP13C	CF/CM64D	1.02	1.19	0.88
TP9C120D20MP13C	CF/CM/CU48D	1.02	1.15	0.96
TP9C120D20MP13C	CF/CM42D	1.02	1.13	0.98
TP9C120D20MP13C	CF/CM61D	1.00	1.14	0.90
TP9C120D20MP13C	CF/CM64D	1.02	1.22	0.88
TPLC060A12MP13C	CF42B	1.00	1.02	0.96
TPLC080B12MP13C	CF/CM/CU42C	1.01	1.05	0.96
TPLC080B12MP13C	CF/CM/CU48C	1.01	1.03	0.92
TPLC080B12MP13C	CF/CM/CU60C	1.00	1.02	0.92
TPLC080B12MP13C	CF42B	1.00	1.04	0.96
TPLC080C16MP13C	CF/CM/CU42C	1.01	1.03	0.97
TPLC080C16MP13C	CF/CM/CU48C	1.02	1.03	0.95
TPLC080C16MP13C	CF/CM/CU48D	1.02	1.03	0.95
TPLC080C16MP13C	CF/CM/CU60C	1.01	1.00	0.90
TPLC080C16MP13C	CF/CM42D	1.01	1.03	0.99
TPLC080C16MP13C	CF/CM50C	0.99	1.07	0.91
TPLC080C16MP13C	CF/CM61D	0.99	1.09	0.89
TPLC080C16MP13C	CF/CM64D	1.02	1.10	0.88

Furnaces	Coils	T.C.	S.C.	kW
TPLC100C16MP13C	CF/CM/CU42C	1.01	1.03	0.97
TPLC100C16MP13C	CF/CM/CU48C	1.02	1.03	0.95
TPLC100C16MP13C	CF/CM/CU48D	1.02	1.03	0.95
TPLC100C16MP13C	CF/CM/CU60C	1.01	1.00	0.90
TPLC100C16MP13C	CF/CM42D	1.01	1.03	0.99
TPLC100C16MP13C	CF/CM50C	0.99	1.07	0.91
TPLC100C16MP13C	CF/CM61D	0.99	1.09	0.89
TPLC100C16MP13C	CF/CM64D	1.02	1.10	0.88
TPLC100C20MP13C	CF/CM/CU42C	1.02	1.11	1.00
TPLC100C20MP13C	CF/CM/CU48C	1.02	1.12	0.96
TPLC100C20MP13C	CF/CM/CU48D	1.02	1.12	0.98
TPLC100C20MP13C	CF/CM/CU60C	1.02	1.14	0.92
TPLC100C20MP13C	CF/CM42D	1.02	1.11	0.98
TPLC100C20MP13C	CF/CM50C	1.00	1.10	0.94
TPLC100C20MP13C	CF/CM61D	1.00	1.10	0.88
TPLC100C20MP13C	CF/CM64D	1.02	1.21	0.88
TPLC120C20MP13C	CF/CM/CU42C	1.02	1.11	1.00
TPLC120C20MP13C	CF/CM/CU48C	1.02	1.12	0.96
TPLC120C20MP13C	CF/CM/CU48D	1.02	1.12	0.98
TPLC120C20MP13C	CF/CM/CU60C	1.02	1.14	0.92
TPLC120C20MP13C	CF/CM42D	1.02	1.11	0.98
TPLC120C20MP13C	CF/CM50C	1.00	1.10	0.94
TPLC120C20MP13C	CF/CM61D	1.00	1.10	0.88
TPLC120C20MP13C	CF/CM64D	1.02	1.21	0.88
CP9C060B12MP13C	CF/CM/CU42C	1.01	1.05	0.96
CP9C060B12MP13C	CF/CM/CU48C	1.01	1.03	0.94
CP9C060B12MP13C	CF/CM/CU60C	1.00	1.02	0.92
CP9C060B12MP13C	CF/CM50C	0.98	1.03	0.91
CP9C060B12MP13C	CF42B	1.00	1.04	0.94
CP9C080B12MP13C	CF/CM/CU42C	1.01	1.07	0.97
CP9C080B12MP13C	CF/CM/CU48C	1.02	1.11	0.96
CP9C080B12MP13C	CF/CM/CU60C	1.01	1.09	0.93
CP9C080B12MP13C	CF/CM50C	0.99	1.07	0.93
CP9C080B12MP13C	CF42B	1.01	1.07	0.97
CP9C080C16MP13C	CF/CM/CU42C	1.02	1.06	0.97
CP9C080C16MP13C	CF/CM/CU48C	1.02	1.14	0.96
CP9C080C16MP13C	CF/CM/CU48D	1.02	1.14	0.96
CP9C080C16MP13C	CF/CM/CU60C	1.02	1.11	0.92
CP9C080C16MP13C	CF/CM42D	1.02	1.10	0.98
CP9C080C16MP13C	CF/CM50C	0.99	1.09	0.91
CP9C080C16MP13C	CF/CM61D	0.99	1.13	0.93
CP9C080C16MP13C	CF/CM64D	1.02	1.20	0.92
CP9C100C16MP13C	CF/CM/CU42C	1.02	1.11	0.98
CP9C100C16MP13C	CF/CM/CU48D	1.02	1.14	0.96
CP9C100C16MP13C	CF/CM/CU60C	1.02	1.14	0.92
CP9C100C16MP13C	CF/CM42D	1.02	1.12	0.98
CP9C100C16MP13C	CF/CM50C	1.00	1.13	0.92
CP9C100C16MP13C	CF/CM61D	1.00	1.13	0.90
CP9C100C16MP13C	CF/CM64D	1.02	1.17	0.90
CP9C100C20MP13C	CF/CM/CU42C	1.02	1.11	0.98

Furnaces	Coils	T.C.	S.C.	kW
CP9C100C20MP13C	CF/CM/CU48C	1.02	1.14	0.98
CP9C100C20MP13C	CF/CM/CU48D	1.02	1.14	0.96
CP9C100C20MP13C	CF/CM/CU60C	1.02	1.14	0.92
CP9C100C20MP13C	CF/CM42D	1.02	1.11	0.98
CP9C100C20MP13C	CF/CM50C	0.99	1.12	0.91
CP9C100C20MP13C	CF/CM61D	1.00	1.13	0.92
CP9C100C20MP13C	CF/CM64D	1.02	1.19	0.88
CP9C120D20MP13C	CF/CM/CU48D	1.02	1.15	0.96
CP9C120D20MP13C	CF/CM42D	1.02	1.13	0.98
CP9C120D20MP13C	CF/CM61D	1.00	1.14	0.90
CP9C120D20MP13C	CF/CM64D	1.02	1.22	0.88
CPLC060A12MP13C	CF42B	1.00	1.02	0.96
CPLC080B12MP13C	CF/CM/CU42C	1.01	1.05	0.96
CPLC080B12MP13C	CF/CM/CU48C	1.01	1.03	0.92
CPLC080B12MP13C	CF/CM/CU60C	1.00	1.02	0.92
CPLC080B12MP13C	CF42B	1.00	1.04	0.96
CPLC080C16MP13C	CF/CM/CU42C	1.01	1.03	0.97
CPLC080C16MP13C	CF/CM/CU48C	1.02	1.03	0.95
CPLC080C16MP13C	CF/CM/CU48D	1.02	1.03	0.95
CPLC080C16MP13C	CF/CM/CU60C	1.01	1.00	0.90
CPLC080C16MP13C	CF/CM42D	1.01	1.03	0.99
CPLC080C16MP13C	CF/CM50C	0.99	1.07	0.91
CPLC080C16MP13C	CF/CM61D	0.99	1.09	0.89
CPLC080C16MP13C	CF/CM64D	1.02	1.10	0.88
CPLC100C16MP13C	CF/CM/CU42C	1.01	1.03	0.97
CPLC100C16MP13C	CF/CM/CU48C	1.02	1.03	0.95
CPLC100C16MP13C	CF/CM/CU48D	1.02	1.03	0.95
CPLC100C16MP13C	CF/CM/CU60C	1.01	1.00	0.90
CPLC100C16MP13C	CF/CM42D	1.01	1.03	0.99
CPLC100C16MP13C	CF/CM50C	0.99	1.07	0.91
CPLC100C16MP13C	CF/CM61D	0.99	1.09	0.89
CPLC100C16MP13C	CF/CM64D	1.02	1.10	0.88
CPLC100C20MP13C	CF/CM/CU42C	1.02	1.11	1.00
CPLC100C20MP13C	CF/CM/CU48C	1.02	1.12	0.96
CPLC100C20MP13C	CF/CM/CU48D	1.02	1.12	0.98
CPLC100C20MP13C	CF/CM/CU60C	1.02	1.14	0.92
CPLC100C20MP13C	CF/CM42D	1.02	1.11	0.98
CPLC100C20MP13C	CF/CM50C	1.00	1.10	0.94
CPLC100C20MP13C	CF/CM61D	1.00	1.10	0.88
CPLC100C20MP13C	CF/CM64D	1.02	1.21	0.88
CPLC120C20MP13C	CF/CM/CU42C	1.02	1.11	1.00
CPLC120C20MP13C	CF/CM/CU48C	1.02	1.12	0.96
CPLC120C20MP13C	CF/CM/CU48D	1.02	1.12	0.98
CPLC120C20MP13C	CF/CM/CU60C	1.02	1.14	0.92
CPLC120C20MP13C	CF/CM42D	1.02	1.11	0.98
CPLC120C20MP13C	CF/CM50C	1.00	1.10	0.94
CPLC120C20MP13C	CF/CM61D	1.00	1.10	0.88
CPLC120C20MP13C	CF/CM64D	1.02	1.21	0.88

PERFORMANCE DATA - 4 TON - COPPER MATCHED SYSTEMS

COOLING PERFORMANCE DATA																
AIR CONDITIONER MODEL NO.		TCHD48S4(3,4)S3														
INDOOR COIL MODEL NO.		FC/MC/PC48														
AIR TEMP. ENTERING OUTDOOR UNIT (°F)	ID CFM	1400					1600					1800				
	ID DB (°F)	80	80	75	80	80	80	80	75	80	80	80	80	75	80	80
	ID WB (°F)	57	62	62	67	72	57	62	62	67	72	57	62	62	67	72
65	T.C.	44.8	47.3	47.9	52.2	56.8	46.3	48.2	48.8	53.2	58.1	47.8	49.1	49.7	54.3	59.4
	S.C.	44.8	40.3	34.7	34.4	26.8	46.3	42.9	36.8	36.7	28.0	47.8	45.5	38.9	39.0	29.2
	kW	2.74	2.71	2.74	2.72	2.73	2.73	2.72	2.74	2.72	2.74	2.73	2.72	2.74	2.72	2.75
75	T.C.	43.4	45.6	46.0	50.2	54.7	44.8	46.5	46.8	51.2	55.9	46.2	47.4	47.7	52.1	57.2
	S.C.	43.4	40.1	34.1	33.6	26.0	44.8	42.7	36.3	35.7	27.1	46.2	45.3	38.5	37.9	28.3
	kW	3.21	3.19	3.21	3.18	3.17	3.20	3.19	3.20	3.17	3.18	3.18	3.18	3.19	3.17	3.18
85	T.C.	42.0	44.0	44.1	48.2	52.5	43.3	44.9	44.9	49.1	53.7	44.6	45.8	45.7	49.9	54.9
	S.C.	42.0	40.0	33.6	32.8	25.2	43.3	42.5	35.9	34.8	26.3	44.6	45.1	38.2	36.8	27.4
	kW	3.69	3.68	3.68	3.64	3.61	3.66	3.65	3.66	3.63	3.61	3.63	3.63	3.64	3.62	3.61
95	T.C.	40.5	42.4	42.2	46.2	50.3	41.8	43.3	42.9	47.0	51.5	43.0	44.1	43.6	47.8	52.7
	S.C.	40.5	39.8	33.1	32.0	24.4	41.8	42.4	35.5	33.8	25.5	43.0	44.1	37.9	35.7	26.6
	kW	4.17	4.16	4.15	4.10	4.05	4.13	4.12	4.12	4.09	4.05	4.08	4.09	4.09	4.07	4.04
105	T.C.	37.9	38.7	37.3	43.4	47.6	39.2	40.2	38.6	44.1	48.7	40.5	41.6	39.9	44.9	49.8
	S.C.	37.9	37.2	31.1	30.8	23.4	39.2	39.7	33.6	32.8	24.6	40.5	41.6	36.1	34.7	25.7
	kW	5.42	5.57	5.70	4.94	4.79	5.16	5.24	5.52	4.90	4.78	4.90	4.91	5.34	4.86	4.77
115	T.C.	35.4	35.2	32.6	40.6	44.9	36.7	37.2	34.4	41.3	45.9	38.1	39.1	36.3	42.1	46.9
	S.C.	35.4	34.6	29.2	29.7	22.6	36.7	37.2	31.8	31.7	23.8	38.1	39.1	34.4	33.6	24.9
	kW	6.63	6.93	7.21	5.75	5.50	6.16	6.32	6.88	5.69	5.49	5.69	5.71	6.55	5.62	5.48
125	T.C.	32.9	31.7	27.8	37.8	42.3	34.2	34.2	30.2	38.6	43.2	35.6	36.7	32.7	39.3	44.1
	S.C.	32.9	31.7	27.3	28.7	21.7	34.2	34.2	30.0	30.6	22.9	35.6	36.7	32.7	32.6	24.1
	kW	7.84	8.30	8.72	6.57	6.21	7.16	7.40	8.24	6.47	6.20	6.48	6.50	7.76	6.38	6.20

NOTE: ALL CAPACITIES INCLUDE INDOOR FAN HEAT. kW VALUES ARE FOR THE SYSTEM (OUTDOOR + INDOOR).

Green shaded cells are ACCA (TVA) conditions.

Blue shaded cells are AHRI conditions.

Multipliers for determining the performance with other indoor sections.

NOTE: For dry bulb temperatures different than those listed (between 73°F to 87°F), sensible capacity increases by 1060 BTUH per 1000 CFM per degree above the listed temperature and decreases by 1060 BTUH per 1000 CFM per degree below the listed temperature.

Air Handlers	Coils	T.C.	S.C.	kW
–	FC/MC/PC48	1.00	1.00	1.00
–	FC/MC/PC60	0.99	0.98	1.01
–	FC/MC62	1.01	1.01	1.00
–	FC64	1.03	1.05	1.01
AHE48D	–	1.00	1.01	0.96
AHE60D	–	1.02	1.02	0.96
AHR48D	–	1.00	1.01	1.00
AHR60D	–	1.01	1.02	1.01
AHV48D	–	0.99	0.98	0.99
AHV60D	–	1.00	1.01	0.98
MV16C	FC/MC48C	1.01	1.01	0.96

Air Handlers	Coils	T.C.	S.C.	kW
MV16C	FC60C	1.00	0.99	0.98
MV20D	FC/MC48D	1.01	1.01	0.97
MV20D	FC/MC60D	0.97	0.98	0.96
MV20D	FC/MC62D	1.02	1.02	0.96
MV20D	FC64D	1.05	1.07	0.97
MX16CN21	FC/MC48C	0.99	0.99	0.96
MX16CN21	FC60C	0.99	0.99	0.95
MX20DN21	FC/MC48D	0.99	0.98	0.93
MX20DN21	FC/MC60D	1.00	0.99	0.94
MX20DN21	FC/MC62D	1.00	1.00	0.92
MX20DN21	FC64D	1.03	1.03	0.93

Furnaces	Coils	T.C.	S.C.	kW
T*(8,L)C*C16	FC/MC/PC48C	1.00	1.01	1.00
T*(8,L)C*C16	FC/PC60C	0.99	1.00	0.99
T*(8,L)C*C16	FC64D	1.04	1.06	0.98
T*(8,L)C*C16	HD48	1.00	1.01	0.99
T*(8,L)C*C16	HD60	1.01	1.02	0.98
T*(8,L)C*C16	UC48C	0.97	0.98	0.98
T*(8,L)C*C16	UC60C	0.98	0.97	0.98
T*(8,L)C*C20	FC/MC/PC48C	1.00	1.01	0.99
T*(8,L)C*C20	FC/PC60C	1.00	1.01	0.99
T*(8,L)C*C20	FC64D	1.04	1.06	0.98
T*(8,L)C*C20	HD48	1.00	1.01	0.99
T*(8,L)C*C20	HD60	1.01	1.02	0.96
T*(8,L)C*C20	UC48C	0.97	0.98	0.98
T*(8,L)C*C20	UC60C	0.98	0.98	0.96
T*(8,L)V*C16	FC/MC/PC48C	1.00	1.01	1.00
T*(8,L)V*C16	FC/PC60C	0.99	1.00	0.99
T*(8,L)V*C16	FC64D	1.04	1.06	0.98
T*(8,L)V*C16	HD60	1.01	1.02	0.98
T*(8,L)V*C16	UC48C	0.97	0.98	0.98
T*(8,L)V*C16	UC60C	0.98	0.97	0.98
T*(8,L)V*C20	FC/MC/PC48C	1.00	1.01	0.99
T*(8,L)V*C20	FC/PC60C	1.00	1.01	0.99
T*(8,L)V*C20	FC64D	1.04	1.06	0.98
T*(8,L)V*C20	HD60	1.01	1.02	0.96
T*(8,L)V*C20	UC48C	0.97	0.98	0.98
T*(8,L)V*C20	UC60C	0.98	0.98	0.96
T*9(C,V)*C16	FC/MC/PC48C	1.00	1.00	0.99
T*9(C,V)*C16	FC/PC60C	1.00	1.02	0.99
T*9(C,V)*C16	FC64D	1.04	1.05	1.00
T*9(C,V)*C16	HD48	1.00	1.01	0.99
T*9(C,V)*C16	HD60	1.00	1.01	0.99
T*9(C,V)*C16	UC48C	0.97	0.98	0.99
T*9(C,V)*C16	UC60C	0.97	0.97	0.99
T*9(C,V)*C20	FC/MC/PC48C	1.01	1.02	0.99
T*9(C,V)*C20	FC/PC60C	1.00	1.02	0.99
T*9(C,V)*C20	FC64D	1.04	1.05	1.02
T*9(C,V)*C20	HD48	1.00	1.01	0.99
T*9(C,V)*C20	HD60	1.00	1.01	0.99
T*9(C,V)*C20	UC48C	0.97	0.98	0.99
T*9(C,V)*C20	UC60C	0.97	0.97	0.99
T*9(C,V)*D20	FC/MC/PC48D	1.01	1.02	0.99
T*9(C,V)*D20	FC/MC/PC60D	1.00	1.02	0.98
T*9(C,V)*D20	FC/MC62D	1.01	1.02	0.98
T*9(C,V)*D20	FC64D	1.04	1.05	1.00
T*9(C,V)*D20	HD48	1.00	1.01	0.99
T*9(C,V)*D20	HD60	1.01	1.02	0.99
T*9(C,V)*D20	UC48D	0.97	0.98	0.99
T*9(C,V)*D20	UC60D	0.98	0.97	0.99
TM8X080C16MP11	FC/MC/PC48C	0.98	0.96	0.98
TM8X080C16MP11	FC/MC/PC60D	0.99	0.98	1.01
TM8X080C16MP11	FC/MC62D	0.99	0.99	0.99
TM8X080C16MP11	FC/PC60C	0.99	0.98	0.99
TM8X080C16MP11	FC64D	1.02	1.01	0.97
TM8X100C16MP11	FC/MC/PC48C	0.98	0.96	0.98
TM8X100C16MP11	FC/MC/PC60D	0.99	0.98	1.01

Furnaces	Coils	T.C.	S.C.	kW
TM8X100C16MP11	FC/MC62D	0.99	0.99	0.99
TM8X100C16MP11	FC/PC60C	0.99	0.98	0.99
TM8X100C16MP11	FC64D	1.02	1.01	0.97
TM8X100C20MP11	FC/MC/PC48C	0.98	0.97	0.96
TM8X100C20MP11	FC/MC/PC48D	0.98	0.97	0.98
TM8X100C20MP11	FC/MC/PC60D	0.99	0.98	0.99
TM8X100C20MP11	FC/MC62D	0.99	0.99	0.97
TM8X100C20MP11	FC/PC60C	0.99	0.98	0.99
TM8X100C20MP11	FC64D	1.02	1.01	0.96
TM8X100C20MP11	UC60C	0.98	0.95	0.97
TM8X100C20MP11	UC60D	0.98	0.95	0.96
TM8X120C20MP11	FC/MC/PC48C	0.98	0.97	0.96
TM8X120C20MP11	FC/MC/PC48D	0.98	0.97	0.98
TM8X120C20MP11	FC/MC/PC60D	0.99	0.98	0.99
TM8X120C20MP11	FC/MC62D	0.99	0.99	0.97
TM8X120C20MP11	FC/PC60C	0.99	0.98	0.99
TM8X120C20MP11	FC64D	1.02	1.01	0.96
TM8X120C20MP11	UC60C	0.98	0.95	0.97
TM8X120C20MP11	UC60D	0.98	0.95	0.96
TM9E100C20MP11	FC/MC62D	0.99	0.99	0.99
TM9E100C20MP11	FC64D	1.02	1.01	0.97
TM9E120D20MP11	FC/MC/PC48D	0.98	0.96	0.98
TM9E120D20MP11	FC/MC/PC60D	0.99	0.98	0.97
TM9E120D20MP11	FC/MC62D	0.99	0.99	0.99
TM9E120D20MP11	FC64D	1.02	1.01	0.97
TM9E120D20MP11	UC60D	0.98	0.95	0.98
TM9X100C20MP11	FC/MC62D	0.99	0.99	0.99
TM9X100C20MP11	FC64D	1.02	1.01	0.97
TM9X120D20MP11	FC/MC/PC48D	0.98	0.96	0.98
TM9X120D20MP11	FC/MC/PC60D	0.99	0.98	0.97
TM9X120D20MP11	FC/MC62D	0.99	0.99	0.99
TM9X120D20MP11	FC64D	1.02	1.01	0.97
TM9X120D20MP11	UC60D	0.98	0.95	0.98
TMLX080C16MP11	FC/MC/PC48C	0.98	0.96	0.98
TMLX080C16MP11	FC/MC/PC60D	0.99	0.98	1.01
TMLX080C16MP11	FC/MC62D	0.99	0.99	0.99
TMLX080C16MP11	FC/PC60C	0.99	0.98	0.99
TMLX080C16MP11	FC64D	1.02	1.01	0.97
TMLX100C16MP11	FC/MC/PC48C	0.98	0.96	0.98
TMLX100C16MP11	FC/MC/PC60D	0.99	0.98	1.01
TMLX100C16MP11	FC/MC62D	0.99	0.99	0.99
TMLX100C16MP11	FC/PC60C	0.99	0.98	0.99
TMLX100C16MP11	FC64D	1.02	1.01	0.97
TMLX100C20MP11	FC/MC/PC48C	0.98	0.97	0.96
TMLX100C20MP11	FC/MC/PC48D	0.98	0.97	0.98
TMLX100C20MP11	FC/MC/PC60D	0.99	0.98	0.99
TMLX100C20MP11	FC/MC62D	0.99	0.99	0.97
TMLX100C20MP11	FC/PC60C	0.99	0.98	0.99
TMLX100C20MP11	FC64D	1.02	1.01	0.96
TMLX100C20MP11	UC60C	0.98	0.95	0.97
TMLX100C20MP11	UC60D	0.98	0.95	0.96
TMLX120C20MP11	FC/MC/PC48C	0.98	0.97	0.96
TMLX120C20MP11	FC/MC/PC48D	0.98	0.97	0.98
TMLX120C20MP11	FC/MC/PC60D	0.99	0.98	0.99
TMLX120C20MP11	FC/MC62D	0.99	0.99	0.97
TMLX120C20MP11	FC/PC60C	0.99	0.98	0.99

Furnaces	Coils	T.C.	S.C.	kW
TMLX120C20MP11	FC64D	1.02	1.01	0.96
TMLX120C20MP11	UC60C	0.98	0.95	0.97
TMLX120C20MP11	UC60D	0.98	0.95	0.96
C*(8,L)C*C16	FC/MC/PC48C	1.00	1.01	1.00
C*(8,L)C*C16	FC/PC60C	0.99	1.00	0.99
C*(8,L)C*C16	FC64D	1.04	1.06	0.98
C*(8,L)C*C16	HD60	1.01	1.02	0.98
C*(8,L)C*C16	UC48C	0.97	0.98	0.98
C*(8,L)C*C16	UC60C	0.98	0.97	0.98
C*(8,L)C*C20	FC/MC/PC48C	1.00	1.01	0.99
C*(8,L)C*C20	FC/PC60C	1.00	1.01	0.99
C*(8,L)C*C20	FC64D	1.04	1.06	0.98
C*(8,L)C*C20	HD60	1.01	1.02	0.96
C*(8,L)C*C20	UC48C	0.97	0.98	0.98
C*(8,L)C*C20	UC60C	0.98	0.98	0.96
C*9C*C16	FC/MC/PC48C	1.00	1.00	0.99
C*9C*C16	FC/PC60C	1.00	1.02	0.99
C*9C*C16	FC64D	1.04	1.05	1.00

Furnaces	Coils	T.C.	S.C.	kW
C*9C*C16	HD60	1.00	1.01	0.99
C*9C*C16	UC48C	0.97	0.98	0.99
C*9C*C16	UC60C	0.97	0.97	0.99
C*9C*C20	FC/MC/PC48C	1.01	1.02	0.99
C*9C*C20	FC/PC60C	1.00	1.02	0.99
C*9C*C20	FC64D	1.04	1.05	1.02
C*9C*C20	HD60	1.00	1.01	0.99
C*9C*C20	UC48C	0.97	0.98	0.99
C*9C*C20	UC60C	0.97	0.97	0.99
C*9C*D20	FC/MC/PC48D	1.01	1.02	0.99
C*9C*D20	FC/MC/PC60D	1.00	1.02	0.98
C*9C*D20	FC/MC62D	1.01	1.02	0.98
C*9C*D20	FC64D	1.04	1.05	1.00
C*9C*D20	HD60	1.01	1.02	0.99
C*9C*D20	UC48D	0.97	0.98	0.99
C*9C*D20	UC60D	0.98	0.97	0.99

PERFORMANCE DATA - 4 TON - ALUMINUM MATCHED SYSTEMS

COOLING PERFORMANCE DATA																
AIR CONDITIONER MODEL NO.		TCHD48S4(3,4)S3														
INDOOR COIL MODEL NO.		CF/CM48C														
AIR TEMP. ENTERING OUTDOOR UNIT (°F)	ID CFM	1400					1600					1800				
	ID DB (°F)	80	80	75	80	80	80	80	75	80	80	80	80	75	80	80
	ID WB (°F)	57	62	62	67	72	57	62	62	67	72	57	62	62	67	72
65	T.C.	44.8	47.3	47.9	52.2	56.8	46.3	48.2	48.8	53.2	58.1	47.8	49.1	49.7	54.3	59.4
	S.C.	44.8	40.7	35.1	34.8	27.0	46.3	43.4	37.2	37.1	28.3	47.8	46.0	39.3	39.4	29.5
	kW	2.86	2.84	2.86	2.84	2.86	2.86	2.84	2.86	2.84	2.87	2.85	2.84	2.86	2.84	2.88
75	T.C.	43.4	45.6	46.0	50.2	54.7	44.8	46.5	46.8	51.2	55.9	46.2	47.4	47.7	52.1	57.2
	S.C.	43.4	40.5	34.5	34.0	26.2	44.8	43.2	36.7	36.1	27.4	46.2	45.8	39.0	38.3	28.6
	kW	3.36	3.34	3.35	3.32	3.32	3.34	3.33	3.34	3.32	3.32	3.32	3.32	3.33	3.31	3.33
85	T.C.	42.0	44.0	44.1	48.2	52.5	43.3	44.9	44.9	49.1	53.7	44.6	45.8	45.7	49.9	54.9
	S.C.	42.0	40.4	34.0	33.1	25.4	43.3	43.0	36.3	35.2	26.6	44.6	45.6	38.6	37.2	27.7
	kW	3.86	3.84	3.85	3.80	3.78	3.83	3.82	3.82	3.80	3.78	3.80	3.80	3.80	3.79	3.78
95	T.C.	40.5	42.4	42.2	46.2	50.3	41.8	43.3	42.9	47.0	51.5	43.0	44.1	43.6	47.8	52.7
	S.C.	40.5	40.2	33.4	32.3	24.6	41.8	42.8	35.8	34.2	25.7	43.0	44.1	38.3	36.1	26.9
	kW	4.36	4.35	4.34	4.29	4.23	4.31	4.31	4.31	4.27	4.23	4.27	4.28	4.27	4.26	4.23
105	T.C.	37.9	38.7	37.3	43.4	47.6	39.2	40.2	38.6	44.1	48.7	40.5	41.6	39.9	44.9	49.8
	S.C.	37.9	37.6	31.4	31.2	23.7	39.2	40.2	34.0	33.1	24.9	40.5	41.6	36.5	35.0	26.0
	kW	5.66	5.82	5.96	5.16	5.00	5.39	5.48	5.77	5.12	5.00	5.12	5.13	5.58	5.08	4.99
115	T.C.	35.4	35.2	32.6	40.6	44.9	36.7	37.2	34.4	41.3	45.9	38.1	39.1	36.3	42.1	46.9
	S.C.	35.4	35.0	29.5	30.1	22.8	36.7	37.2	32.1	32.0	24.0	38.1	39.1	34.8	34.0	25.2
	kW	6.93	7.25	7.54	6.01	5.75	6.44	6.61	7.19	5.94	5.74	5.95	5.97	6.84	5.87	5.73
125	T.C.	32.9	31.7	27.8	37.8	42.3	34.2	34.2	30.2	38.6	43.2	35.6	36.7	32.7	39.3	44.1
	S.C.	32.9	31.7	27.6	29.0	21.9	34.2	34.2	30.2	31.0	23.2	35.6	36.7	32.7	33.0	24.4
	kW	8.19	8.68	9.12	6.86	6.49	7.48	7.74	8.62	6.77	6.49	6.77	6.80	8.11	6.67	6.48

NOTE: ALL CAPACITIES INCLUDE INDOOR FAN HEAT. kW VALUES ARE FOR THE SYSTEM (OUTDOOR + INDOOR).

Green shaded cells are ACCA (TVA) conditions.

Blue shaded cells are AHRI conditions.

Multipliers for determining the performance with other indoor sections.

NOTE: For dry bulb temperatures different than those listed (between 73°F to 87°F), sensible capacity increases by 1060 BTUH per 1000 CFM per degree above the listed temperature and decreases by 1060 BTUH per 1000 CFM per degree below the listed temperature.

Air Handlers	Coils	T.C.	S.C.	kW	Air Handlers	Coils	T.C.	S.C.	kW
–	CF/CM/CU48D	1.00	1.03	1.00	ME16CN21	CF/CM60C	1.02	1.09	1.00
–	CF/CM/CU60C	1.02	1.10	1.02	ME20DN21	CF/CM48D	1.02	1.10	0.94
–	CF/CM64D	1.02	1.13	1.02	ME20DN21	CF/CM64D	1.02	1.11	0.94
AE48CX21	–	1.02	1.04	1.02	ME14DN41	CF/CM48D	1.00	1.07	0.97
AE48DX21	–	1.02	1.07	0.94	ME14DN41	CF/CM60D	1.00	1.09	0.99
AE60CX21	–	1.02	1.07	0.98	ME14DN41	CF/CM64D	1.00	1.08	0.97
AE60CX22	–	1.02	1.09	1.00	ME16CN41	CF/CM60C	1.00	1.06	1.01
AE60DX21	–	1.02	1.13	0.96	ME20DN41	CF/CM48D	1.00	1.05	0.95
AP48CX21	–	1.02	1.06	1.02	ME20DN41	CF/CM60D	1.00	1.06	0.97
AP48DX21	–	1.02	1.06	1.02	ME20DN41	CF/CM64D	1.00	1.07	0.95
AVC48DX21	–	1.02	1.06	0.96	MVC14DN21	CF/CM48D	1.02	1.07	0.96
AVC60CX22	–	1.02	1.06	0.98	MVC14DN21	CF/CM60D	1.02	1.06	0.96
AVC60DX21	–	1.02	1.09	0.96	MVC14DN21	CF/CM64D	1.02	1.11	0.94
ME14DN21	CF/CM48D	1.02	1.08	0.96	MVC16CN21	CF/CM60C	1.02	1.08	0.98
ME14DN21	CF/CM60D	1.02	1.08	0.98	MVC20DN21	CF/CM48D	1.02	1.06	0.94
ME14DN21	CF/CM64D	1.02	1.10	0.96	MVC20DN21	CF/CM64D	1.02	1.13	0.94

Furnaces	Coils	T.C.	S.C.	kW
TM8E080C16MP11	CF/CM/CU60C	1.02	1.09	1.02
TM8E080C16MP11	CF/CM/CU60D	1.02	1.10	1.02
TM8E080C16MP11	CF/CM64D	1.02	1.13	1.00
TM8E080C20MP11	CF/CM/CU48D	1.02	1.08	0.98
TM8E080C20MP11	CF/CM/CU60C	1.02	1.09	1.00
TM8E080C20MP11	CF/CM64D	1.02	1.14	0.98
TM8E100C16MP11	CF/CM/CU60C	1.02	1.09	1.02
TM8E100C16MP11	CF/CM/CU60D	1.02	1.10	1.02
TM8E100C16MP11	CF/CM64D	1.02	1.13	1.00
TM8E100C20MP11	CF/CM/CU48D	1.02	1.07	0.98
TM8E100C20MP11	CF/CM/CU60C	1.02	1.07	1.00
TM8E100C20MP11	CF/CM64D	1.02	1.12	0.98
TM8E120C16MP11	CF/CM/CU60C	1.02	1.09	1.02
TM8E120C16MP11	CF/CM64D	1.02	1.13	1.00
TM8E120C20MP11	CF/CM/CU48D	1.02	1.09	0.98
TM8E120C20MP11	CF/CM/CU60C	1.02	1.05	0.98
TM8E120C20MP11	CF/CM64D	1.02	1.12	0.96
TM8E130D20MP11	CF/CM/CU48D	1.02	1.06	0.98
TM8E130D20MP11	CF/CM/CU60D	1.02	1.05	0.98
TM8E130D20MP11	CF/CM64D	1.02	1.09	0.96
TM8V080C16MP12C	CF/CM/CU48D	1.02	1.05	1.00
TM8V080C16MP12C	CF/CM/CU60C	1.02	1.05	1.00
TM8V080C16MP12C	CF/CM/CU60D	1.02	1.05	1.00
TM8V080C16MP12C	CF/CM64D	1.02	1.07	0.98
TM8V100C16MP12C	CF/CM/CU48D	1.02	1.05	1.00
TM8V100C16MP12C	CF/CM/CU60C	1.02	1.05	1.00
TM8V100C16MP12C	CF/CM/CU60D	1.02	1.05	1.00
TM8V100C16MP12C	CF/CM64D	1.02	1.07	0.98
TM8V100C20MP12C	CF/CM/CU48D	1.02	1.07	0.98
TM8V100C20MP12C	CF/CM/CU60C	1.02	1.09	1.00
TM8V100C20MP12C	CF/CM64D	1.02	1.12	0.98
TM8V120C20MP12C	CF/CM/CU48D	1.02	1.07	0.98
TM8V120C20MP12C	CF/CM/CU60C	1.02	1.09	1.00
TM8V120C20MP12C	CF/CM64D	1.02	1.12	0.98
TM8X080C16MP11	CF/CM/CU60C	1.02	1.06	1.02
TM8X080C16MP11	CF/CM64D	1.02	1.12	1.00
TM8X100C16MP11	CF/CM/CU60C	1.02	1.06	1.02
TM8X100C16MP11	CF/CM64D	1.02	1.12	1.00
TM8X100C20MP11	CF/CM/CU48D	1.02	1.04	0.98
TM8X100C20MP11	CF/CM/CU60C	1.02	1.09	1.00
TM8X100C20MP11	CF/CM64D	1.02	1.12	0.98
TM8X120C20MP11	CF/CM/CU48D	1.02	1.04	0.98
TM8X120C20MP11	CF/CM/CU60C	1.02	1.09	1.00
TM8X120C20MP11	CF/CM64D	1.02	1.12	0.98
TM8Y080C16MP11	CF/CM/CU60C	1.02	1.06	1.02
TM8Y080C16MP11	CF/CM64D	1.02	1.12	1.00
TM8Y100C16MP11	CF/CM/CU60C	1.02	1.06	1.02
TM8Y100C16MP11	CF/CM64D	1.02	1.12	1.00
TM8Y100C20MP11	CF/CM/CU48D	1.02	1.04	0.98
TM8Y100C20MP11	CF/CM/CU60C	1.02	1.09	1.00
TM8Y100C20MP11	CF/CM64D	1.02	1.12	0.98
TM8Y120C20MP11	CF/CM/CU48D	1.02	1.04	0.98
TM8Y120C20MP11	CF/CM/CU60C	1.02	1.09	1.00
TM8Y120C20MP11	CF/CM64D	1.02	1.12	0.98
TM9E080C16MP11	CF/CM/CU48D	1.02	1.03	1.02

Furnaces	Coils	T.C.	S.C.	kW
TM9E080C16MP11	CF/CM/CU60D	1.02	1.03	1.02
TM9E080C16MP11	CF/CM64D	1.02	1.07	1.00
TM9E080C20MP12	CF/CM/CU48D	1.02	1.09	0.98
TM9E080C20MP12	CF/CM/CU60C	1.02	1.07	1.00
TM9E080C20MP12	CF/CM64D	1.02	1.11	0.98
TM9E100C16MP11	CF/CM/CU48D	1.02	1.05	1.00
TM9E100C16MP11	CF/CM/CU60C	1.02	1.03	1.02
TM9E100C16MP11	CF/CM64D	1.02	1.07	0.98
TM9E100C16MP12	CF/CM/CU60D	1.02	1.10	1.02
TM9E100C20MP11	CF/CM/CU60D	1.02	1.09	1.02
TM9E100C20MP12	CF/CM/CU48D	1.02	1.06	0.98
TM9E100C20MP12	CF/CM/CU60C	1.02	1.04	0.98
TM9E100C20MP12	CF/CM64D	1.02	1.12	0.96
TM9E120D20MP11	CF/CM/CU48D	1.02	1.04	0.98
TM9E120D20MP11	CF/CM64D	1.02	1.13	0.98
TM9E120D20MP12	CF/CM/CU48D	1.02	1.07	0.98
TM9E120D20MP12	CF/CM64D	1.02	1.13	1.00
TM9V080C16MP12C	CF/CM/CU48D	1.02	1.08	1.02
TM9V080C16MP12C	CF/CM/CU60C	1.02	1.05	1.02
TM9V080C16MP12C	CF/CM64D	1.02	1.09	1.00
TM9V100C16MP12C	CF/CM/CU48D	1.02	1.07	1.00
TM9V100C16MP12C	CF/CM/CU60C	1.02	1.10	1.02
TM9V100C16MP12C	CF/CM/CU60D	1.02	1.10	1.02
TM9V100C16MP12C	CF/CM64D	1.02	1.10	0.98
TM9V100C20MP12C	CF/CM/CU48D	1.02	1.07	1.00
TM9V100C20MP12C	CF/CM/CU60C	1.02	1.10	1.02
TM9V100C20MP12C	CF/CM/CU60D	1.02	1.09	1.02
TM9V100C20MP12C	CF/CM64D	1.02	1.13	1.00
TM9V120D20MP12C	CF/CM/CU48D	1.02	1.04	0.98
TM9V120D20MP12C	CF/CM64D	1.02	1.14	0.98
TM9Y080C16MP11	CF/CM/CU48D	1.02	1.03	1.02
TM9Y080C16MP11	CF/CM/CU60D	1.02	1.03	1.02
TM9Y080C16MP11	CF/CM64D	1.02	1.07	1.00
TM9Y100C16MP11	CF/CM/CU48D	1.02	1.05	1.00
TM9Y100C16MP11	CF/CM/CU60C	1.02	1.03	1.02
TM9Y100C16MP11	CF/CM64D	1.02	1.07	0.98
TM9Y100C20MP11	CF/CM/CU60D	1.02	1.09	1.02
TM9Y120D20MP11	CF/CM/CU48D	1.02	1.04	0.98
TM9Y120D20MP11	CF/CM64D	1.02	1.13	0.98
TMLE080C16MP11	CF/CM/CU60C	1.02	1.09	1.02
TMLE080C16MP11	CF/CM/CU60D	1.02	1.10	1.02
TMLE080C16MP11	CF/CM64D	1.02	1.13	1.00
TMLE080C20MP11	CF/CM/CU48D	1.02	1.08	0.98
TMLE080C20MP11	CF/CM/CU60C	1.02	1.09	1.00
TMLE080C20MP11	CF/CM64D	1.02	1.14	0.98
TMLE100C16MP11	CF/CM/CU60C	1.02	1.09	1.02
TMLE100C16MP11	CF/CM/CU60D	1.02	1.10	1.02
TMLE100C16MP11	CF/CM64D	1.02	1.13	1.00
TMLE100C20MP11	CF/CM/CU48D	1.02	1.07	0.98
TMLE100C20MP11	CF/CM/CU60C	1.02	1.07	1.00
TMLE100C20MP11	CF/CM64D	1.02	1.12	0.98
TMLE120C16MP11	CF/CM/CU60C	1.02	1.09	1.02
TMLE120C16MP11	CF/CM64D	1.02	1.13	1.00
TMLE120C20MP11	CF/CM/CU48D	1.02	1.09	0.98
TMLE120C20MP11	CF/CM/CU60C	1.02	1.05	0.98
TMLE120C20MP11	CF/CM64D	1.02	1.12	0.96

Furnaces	Coils	T.C.	S.C.	kW
TMLE130D20MP11	CF/CM/CU48D	1.02	1.06	0.98
TMLE130D20MP11	CF/CM/CU60D	1.02	1.05	0.98
TMLE130D20MP11	CF/CM64D	1.02	1.09	0.96
TMLV080C16MP12C	CF/CM/CU48D	1.02	1.05	1.00
TMLV080C16MP12C	CF/CM/CU60C	1.02	1.05	1.00
TMLV080C16MP12C	CF/CM/CU60D	1.02	1.05	1.00
TMLV080C16MP12C	CF/CM64D	1.02	1.07	0.98
TMLV100C16MP12C	CF/CM/CU48D	1.02	1.05	1.00
TMLV100C16MP12C	CF/CM/CU60C	1.02	1.05	1.00
TMLV100C16MP12C	CF/CM/CU60D	1.02	1.05	1.00
TMLV100C16MP12C	CF/CM64D	1.02	1.07	0.98
TMLV100C20MP12C	CF/CM/CU48D	1.02	1.07	0.98
TMLV100C20MP12C	CF/CM/CU60C	1.02	1.09	1.00
TMLV100C20MP12C	CF/CM64D	1.02	1.12	0.98
TMLV120C20MP12C	CF/CM/CU48D	1.02	1.07	0.98
TMLV120C20MP12C	CF/CM/CU60C	1.02	1.09	1.00
TMLV120C20MP12C	CF/CM64D	1.02	1.12	0.98
TMLX080C16MP11	CF/CM/CU60C	1.02	1.06	1.02
TMLX080C16MP11	CF/CM64D	1.02	1.12	1.00
TMLX100C16MP11	CF/CM/CU60C	1.02	1.06	1.02
TMLX100C16MP11	CF/CM64D	1.02	1.12	1.00
TMLX100C20MP11	CF/CM/CU48D	1.02	1.04	0.98
TMLX100C20MP11	CF/CM/CU60C	1.02	1.09	1.00
TMLX100C20MP11	CF/CM64D	1.02	1.12	0.98
TMLX120C20MP11	CF/CM/CU48D	1.02	1.04	0.98
TMLX120C20MP11	CF/CM/CU60C	1.02	1.09	1.00
TMLX120C20MP11	CF/CM64D	1.02	1.12	0.98
TP9C080C16MP13C	CF/CM/CU48D	1.02	1.08	1.02
TP9C080C16MP13C	CF/CM/CU60C	1.02	1.05	1.02
TP9C080C16MP13C	CF/CM64D	1.02	1.09	1.00
TP9C100C16MP13C	CF/CM/CU48D	1.02	1.07	1.00
TP9C100C16MP13C	CF/CM/CU60C	1.02	1.10	1.02
TP9C100C16MP13C	CF/CM/CU60D	1.02	1.10	1.02
TP9C100C16MP13C	CF/CM64D	1.02	1.10	0.98
TP9C100C20MP13C	CF/CM/CU48D	1.02	1.07	1.00
TP9C100C20MP13C	CF/CM/CU60C	1.02	1.10	1.02
TP9C100C20MP13C	CF/CM/CU60D	1.02	1.09	1.02
TP9C100C20MP13C	CF/CM64D	1.02	1.13	1.00
TP9C120D20MP13C	CF/CM/CU48D	1.02	1.04	0.98
TP9C120D20MP13C	CF/CM64D	1.02	1.14	0.98
TPLC080C16MP13C	CF/CM/CU48D	1.02	1.05	1.00
TPLC080C16MP13C	CF/CM/CU60C	1.02	1.05	1.00

Furnaces	Coils	T.C.	S.C.	kW
TPLC080C16MP13C	CF/CM/CU60D	1.02	1.05	1.00
TPLC080C16MP13C	CF/CM64D	1.02	1.07	0.98
TPLC100C16MP13C	CF/CM/CU48D	1.02	1.05	1.00
TPLC100C16MP13C	CF/CM/CU60C	1.02	1.05	1.00
TPLC100C16MP13C	CF/CM/CU60D	1.02	1.05	1.00
TPLC100C16MP13C	CF/CM64D	1.02	1.07	0.98
TPLC100C20MP13C	CF/CM/CU48D	1.02	1.07	0.98
TPLC100C20MP13C	CF/CM/CU60C	1.02	1.09	1.00
TPLC100C20MP13C	CF/CM64D	1.02	1.12	0.98
TPLC120C20MP13C	CF/CM/CU48D	1.02	1.07	0.98
TPLC120C20MP13C	CF/CM/CU60C	1.02	1.09	1.00
TPLC120C20MP13C	CF/CM64D	1.02	1.12	0.98
CP9C080C16MP13C	CF/CM/CU48D	1.02	1.08	1.02
CP9C080C16MP13C	CF/CM/CU60C	1.02	1.05	1.02
CP9C080C16MP13C	CF/CM64D	1.02	1.09	1.00
CP9C100C16MP13C	CF/CM/CU48D	1.02	1.07	1.00
CP9C100C16MP13C	CF/CM/CU60C	1.02	1.10	1.02
CP9C100C16MP13C	CF/CM/CU60D	1.02	1.10	1.02
CP9C100C16MP13C	CF/CM64D	1.02	1.10	0.98
CP9C100C20MP13C	CF/CM/CU48D	1.02	1.07	1.00
CP9C100C20MP13C	CF/CM/CU60C	1.02	1.10	1.02
CP9C100C20MP13C	CF/CM/CU60D	1.02	1.09	1.02
CP9C100C20MP13C	CF/CM64D	1.02	1.13	1.00
CP9C120D20MP13C	CF/CM/CU48D	1.02	1.04	0.98
CP9C120D20MP13C	CF/CM64D	1.02	1.14	0.98
CPLC080C16MP13C	CF/CM/CU48D	1.02	1.05	1.00
CPLC080C16MP13C	CF/CM/CU60C	1.02	1.05	1.00
CPLC080C16MP13C	CF/CM64D	1.02	1.07	0.98
CPLC100C16MP13C	CF/CM/CU48D	1.02	1.05	1.00
CPLC100C16MP13C	CF/CM/CU60C	1.02	1.05	1.00
CPLC100C16MP13C	CF/CM/CU60D	1.02	1.05	1.00
CPLC100C16MP13C	CF/CM64D	1.02	1.07	0.98
CPLC100C20MP13C	CF/CM/CU48D	1.02	1.07	0.98
CPLC100C20MP13C	CF/CM/CU60C	1.02	1.09	1.00
CPLC100C20MP13C	CF/CM64D	1.02	1.12	0.98
CPLC120C20MP13C	CF/CM/CU48D	1.02	1.07	0.98
CPLC120C20MP13C	CF/CM/CU60C	1.02	1.09	1.00
CPLC120C20MP13C	CF/CM64D	1.02	1.12	0.98

PERFORMANCE DATA - 5 TON - COPPER MATCHED SYSTEMS

COOLING PERFORMANCE DATA																
AIR CONDITIONER MODEL NO.		TCHD60S4(3,4)S3														
INDOOR COIL MODEL NO.		FC/MC62														
AIR TEMP. ENTERING OUTDOOR UNIT (°F)	ID CFM	1600					1800					2000				
	ID DB (°F)	80	80	75	80	80	80	80	75	80	80	80	80	75	80	80
	ID WB (°F)	57	62	62	67	72	57	62	62	67	72	57	62	62	67	72
65	T.C.	54.0	58.2	58.3	62.9	68.5	55.4	59.4	59.3	64.2	69.8	56.9	60.6	60.3	65.4	71.0
	S.C.	54.0	49.2	41.5	41.2	31.7	55.4	51.9	43.5	43.0	32.8	56.9	54.5	45.5	44.8	34.0
	kW	3.32	3.35	3.32	3.40	3.48	3.34	3.37	3.34	3.43	3.50	3.37	3.39	3.36	3.45	3.52
75	T.C.	51.8	55.7	55.7	60.6	66.1	53.3	56.9	56.7	61.8	67.3	54.8	58.0	57.8	63.0	68.5
	S.C.	51.8	47.8	40.2	39.9	30.8	53.3	50.4	42.2	41.8	31.9	54.8	53.1	44.2	43.7	33.1
	kW	3.96	3.98	3.98	4.00	4.05	3.97	3.99	3.98	4.01	4.06	3.98	3.99	3.99	4.03	4.08
85	T.C.	49.7	53.3	53.2	58.3	63.8	51.2	54.3	54.2	59.4	64.9	52.8	55.4	55.2	60.5	66.0
	S.C.	49.7	46.4	38.9	38.6	29.8	51.2	49.0	40.9	40.6	31.0	52.8	51.7	42.9	42.5	32.1
	kW	4.61	4.61	4.63	4.59	4.61	4.59	4.60	4.62	4.60	4.62	4.58	4.60	4.61	4.60	4.63
95	T.C.	47.6	50.8	50.6	55.9	61.4	49.2	51.8	51.6	57.0	62.4	50.7	52.8	52.6	58.1	63.4
	S.C.	47.6	45.0	37.6	37.4	28.9	49.2	47.6	39.6	39.3	30.1	50.7	50.2	41.5	41.3	31.2
	kW	5.25	5.23	5.29	5.19	5.18	5.22	5.22	5.26	5.18	5.18	5.20	5.24	5.17	5.19	
105	T.C.	44.8	47.6	47.4	52.8	58.3	46.3	48.6	48.3	53.8	59.3	47.8	49.7	49.2	54.9	60.3
	S.C.	44.8	43.1	36.1	36.0	27.8	46.3	45.7	38.0	38.0	29.0	47.8	48.2	39.9	39.9	30.1
	kW	6.46	6.36	6.48	6.18	6.04	6.35	6.31	6.42	6.15	6.01	6.25	6.25	6.36	6.11	5.98
115	T.C.	42.0	44.4	44.3	49.8	55.2	43.5	45.6	45.2	50.8	56.3	45.0	46.7	46.0	51.7	57.4
	S.C.	42.0	41.3	34.6	34.7	26.8	43.5	43.8	36.5	36.6	27.9	45.0	46.3	38.4	38.6	29.1
	kW	7.64	7.46	7.63	7.14	6.88	7.46	7.36	7.54	7.08	6.81	7.28	7.27	7.45	7.03	6.75
125	T.C.	39.3	41.3	41.2	46.8	52.1	40.7	42.5	42.0	47.7	53.2	42.1	43.7	42.8	48.6	54.4
	S.C.	39.3	39.5	33.2	33.4	25.7	40.7	41.9	35.0	35.3	26.9	42.1	43.7	36.9	37.2	28.1
	kW	8.81	8.56	8.78	8.10	7.72	8.56	8.42	8.66	8.02	7.62	8.31	8.29	8.54	7.94	7.52

NOTE: ALL CAPACITIES INCLUDE INDOOR FAN HEAT. kW VALUES ARE FOR THE SYSTEM (OUTDOOR + INDOOR).

Green shaded cells are ACCA (TVA) conditions.

Blue shaded cells are AHRI conditions.

Multipliers for determining the performance with other indoor sections.

NOTE: For dry bulb temperatures different than those listed (between 73°F to 87°F), sensible capacity increases by 1060 BTUH per 1000 CFM per degree above the listed temperature and decreases by 1060 BTUH per 1000 CFM per degree below the listed temperature.

Air Handlers	Coils	T.C.	S.C.	kW
-	FC/MC62	1.00	1.00	1.00
-	FC64	1.03	1.05	1.00
AHE60D	-	1.01	1.03	0.96
AHV60D	-	0.99	0.97	0.99
MV20D	FC/MC62D	1.01	1.00	0.98
MV20D	FC64D	1.04	1.05	0.99
MX20DN21	FC/MC62D	1.00	0.99	0.95
MX20DN21	FC64D	1.02	1.03	0.95

Furnaces	Coils	T.C.	S.C.	kW
T*(8,L)C*C16	HD60	1.00	1.01	0.99
T*(8,L)C*C20	FC/MC62D	0.99	0.97	0.96
T*(8,L)C*C20	HD60	0.98	0.96	0.95
T*(8,L)V*C16	HD60	1.00	1.01	0.99
T*(8,L)V*C20	FC/MC62D	0.99	0.97	0.96
T*9(C,V)*C16	HD60	0.98	0.96	0.96
T*9(C,V)*C20	FC/MC62D	0.99	0.96	0.98
T*9(C,V)*C20	FC64D	1.02	1.01	0.99
T*9(C,V)*C20	HD60	0.98	0.96	0.97
T*9(C,V)*D20	FC/MC62D	0.99	0.96	0.97

Furnaces	Coils	T.C.	S.C.	kW
T*9(C,V)*D20	FC64D	1.02	1.01	0.97
T*9(C,V)*D20	HD60	0.98	0.96	0.97
TM8X100C20MP11	FC/MC62D	0.97	0.95	0.96
TM8X100C20MP11	FC64D	1.00	0.98	0.95
TM8X120C20MP11	FC/MC62D	0.97	0.95	0.96
TM8X120C20MP11	FC64D	1.00	0.98	0.95
TM9E100C20MP11	FC64D	0.99	0.95	0.96
TM9E120D20MP11	FC64D	0.99	0.95	0.96
TM9X100C20MP11	FC64D	0.99	0.95	0.96
TM9X120D20MP11	FC64D	0.99	0.95	0.96
TMLX100C20MP11	FC/MC62D	0.97	0.95	0.96
TMLX100C20MP11	FC64D	1.00	0.98	0.95
TMLX120C20MP11	FC/MC62D	0.97	0.95	0.96
TMLX120C20MP11	FC64D	1.00	0.98	0.95
C*(8,L)C*C16	HD60	1.00	1.01	0.99
C*(8,L)C*C20	FC/MC62D	0.99	0.97	0.96
C*9C*C16	HD60	0.98	0.96	0.96
C*9C*C20	FC/MC62D	0.99	0.96	0.98
C*9C*C20	FC64D	1.02	1.01	0.99
C*9C*D20	FC/MC62D	0.99	0.96	0.97
C*9C*D20	FC64D	1.02	1.01	0.97

PERFORMANCE DATA - 5 TON - ALUMINUM MATCHED SYSTEMS

COOLING PERFORMANCE DATA																		
AIR CONDITIONER MODEL NO.		TCHD60S4(3,4)S3																
INDOOR COIL MODEL NO.		CF/CM64D																
AIR TEMP. ENTERING OUTDOOR UNIT (°F)	ID CFM	1600					1800					2000						
	ID DB (°F)	80	80	75	80	80	80	80	75	80	80	80	80	80	75	80	80	
	ID WB (°F)	57	62	62	67	72	57	62	62	67	72	57	62	62	67	72	57	62
65	T.C.	55.4	59.7	59.8	64.6	70.3	56.9	61.0	60.9	65.9	71.6	58.4	62.2	61.9	67.1	72.9		
	S.C.	54.1	48.8	41.2	40.8	31.5	55.6	51.4	43.2	42.6	32.6	57.0	54.0	45.2	44.5	33.7		
	kW	3.40	3.44	3.41	3.49	3.57	3.43	3.46	3.43	3.52	3.59	3.46	3.48	3.45	3.54	3.61		
75	T.C.	53.2	57.2	57.2	62.2	67.9	54.7	58.4	58.2	63.4	69.1	56.3	59.5	59.3	64.6	70.3		
	S.C.	52.0	47.4	39.9	39.6	30.5	53.5	50.0	41.9	41.4	31.6	55.0	52.6	43.8	43.3	32.8		
	kW	4.06	4.09	4.08	4.10	4.15	4.07	4.09	4.09	4.12	4.17	4.08	4.10	4.09	4.13	4.18		
85	T.C.	51.0	54.7	54.6	59.8	65.5	52.6	55.8	55.6	61.0	66.6	54.2	56.8	56.6	62.1	67.7		
	S.C.	49.8	46.0	38.6	38.3	29.6	51.4	48.6	40.5	40.2	30.7	52.9	51.2	42.5	42.1	31.9		
	kW	4.73	4.73	4.75	4.72	4.73	4.71	4.72	4.74	4.72	4.74	4.70	4.72	4.73	4.72	4.75		
95	T.C.	48.8	52.2	52.0	57.4	63.1	50.5	53.2	53.0	58.5	64.1	52.1	54.1	54.0	59.6	65.1		
	S.C.	47.7	44.6	37.3	37.0	28.7	49.3	47.2	39.2	39.0	29.8	50.9	49.8	41.2	41.0	31.0		
	kW	5.39	5.37	5.43	5.33	5.31	5.35	5.35	5.40	5.32	5.32	5.32	5.34	5.37	5.31	5.32		
105	T.C.	45.9	48.8	48.7	54.2	59.8	47.5	49.9	49.6	55.3	60.9	49.1	51.0	50.5	56.3	61.9		
	S.C.	44.8	42.8	35.8	35.7	27.6	46.4	45.3	37.7	37.6	28.7	47.9	47.8	39.6	39.6	29.9		
	kW	6.63	6.53	6.65	6.34	6.20	6.52	6.47	6.59	6.31	6.17	6.41	6.41	6.53	6.27	6.14		
115	T.C.	43.1	45.6	45.5	51.1	56.6	44.6	46.8	46.3	52.1	57.8	46.2	47.9	47.2	53.1	58.9		
	S.C.	42.1	41.0	34.3	34.4	26.6	43.6	43.4	36.2	36.3	27.7	45.1	45.9	38.1	38.2	28.9		
	kW	7.84	7.66	7.83	7.33	7.06	7.66	7.56	7.74	7.27	6.99	7.47	7.46	7.65	7.21	6.93		
125	T.C.	40.3	42.3	42.2	48.0	53.5	41.8	43.6	43.1	49.0	54.6	43.2	44.9	43.9	49.9	55.8		
	S.C.	39.3	39.2	32.9	33.1	25.5	40.7	41.6	34.7	35.0	26.7	42.2	43.9	36.6	36.9	27.8		
	kW	9.05	8.78	9.01	8.32	7.92	8.79	8.64	8.89	8.23	7.82	8.53	8.50	8.77	8.15	7.72		

NOTE: ALL CAPACITIES INCLUDE INDOOR FAN HEAT. kW VALUES ARE FOR THE SYSTEM (OUTDOOR + INDOOR).

Green shaded cells are ACCA (TVA) conditions.

Blue shaded cells are AHRI conditions.

Multipliers for determining the performance with other indoor sections.

NOTE: For dry bulb temperatures different than those listed (between 73°F to 87°F), sensible capacity increases by 1060 BTUH per 1000 CFM per degree above the listed temperature and decreases by 1060 BTUH per 1000 CFM per degree below the listed temperature.

Air Handlers	Coils	T.C.	S.C.	kW
-	CF/CM64D	1.00	1.00	1.00
AE60DX21	-	1.00	1.15	0.98
AP48DX21	-	0.97	1.04	1.02
AP60DX22	-	1.00	1.09	1.00
AVC60DX21	-	1.00	1.09	1.00
ME20DN21	CF/CM64D	1.00	1.13	0.98
ME20DN41	CF/CM60D	0.98	1.05	0.97
ME20DN41	CF/CM64D	0.98	1.08	0.97
MVC20DN21	CF/CM64D	1.00	1.17	0.98

Furnaces	Coils	T.C.	S.C.	kW
TM8E080C20MP11	CF/CM/CU60C	0.97	1.04	1.00
TM8E080C20MP11	CF60CBDA2	0.97	1.04	1.00
TM8E080C20MP11	CM60CBDA2	0.97	1.04	1.00
TM8E100C20MP11	CF/CM/CU60C	0.97	1.02	0.99
TM8E100C20MP11	CF60CBDA2	0.97	1.02	0.99
TM8E100C20MP11	CM60CBDA2	0.97	1.02	0.99
TM8E120C20MP11	CF/CM/CU60C	0.97	1.03	0.97

Furnaces	Coils	T.C.	S.C.	kW
TM8E120C20MP11	CF60CBDA2	0.97	1.03	0.97
TM8E120C20MP11	CM60CBDA2	0.97	1.03	0.97
TM9E080C20MP12	CF/CM/CU60C	0.97	1.03	1.00
TM9E080C20MP12	CF60CBDA2	0.97	1.03	1.00
TM9E080C20MP12	CM60CBDA2	0.97	1.03	1.00
TM9E100C20MP12	CF/CM/CU60C	0.97	1.03	1.00
TM9E100C20MP12	CF60CBDA2	0.97	1.03	1.00
TM9E100C20MP12	CM60CBDA2	0.97	1.03	1.00
TMLE080C20MP11	CF/CM/CU60C	0.97	1.04	1.00
TMLE080C20MP11	CF60CBDA2	0.97	1.04	1.00
TMLE080C20MP11	CM60CBDA2	0.97	1.04	1.00
TMLE100C20MP11	CF/CM/CU60C	0.97	1.02	0.99
TMLE100C20MP11	CF60CBDA2	0.97	1.02	0.99
TMLE100C20MP11	CM60CBDA2	0.97	1.02	0.99
TMLE120C20MP11	CF/CM/CU60C	0.97	1.03	0.97
TMLE120C20MP11	CF60CBDA2	0.97	1.03	0.97
TMLE120C20MP11	CM60CBDA2	0.97	1.03	0.97

NOTES