

## SUBMITTAL DATA SHEET

**CCXL01 and CCXLA01**

**VRF Central Touchscreen Controller and Adapter**

Job Name:		Location:	
Purchaser:		Order No.:	
Engineer:			
Submitted To:		Approval:	Construction:
Submitted By:		Date:	
Unit Designation:		Schedule No.:	Model No.:

### FEATURES AND BENEFITS

- Management of up to 2,048 groups (2,560 indoor units)
- 12.1-inch color LCD for easy operation
- Supports SD memory card and USB flash device
- Tenant Billing with optional Energy Calculation Software
- Customizable display with several grouping options
- Function selection of indoor unit through central controller
- External input/output terminals for controlling or monitoring external equipment
- Trend graphs of running time and temperature setpoint
- Various power-saving modes
- 7-day scheduling with exceptions and holidays



### **VRF Central Touchscreen Controller Specification**

Item	Specification
Dimensions (W×H×D)	14-5/8 × 8-15/16 × 1-1/4 + 1-1/8 (molded in wall) inch (372 × 227.2 × 32.5 + 27.8 [molded in wall] mm)
Net Weight	7.7 lbs. (3.5 kg)
Installation Condition	For indoor use only. Applicable for on-wall mount and wall built in.
Clock Accuracy	+/- 70 seconds/month
Ambient Temperature	32~104°F (0~40°C)
Ambient Humidity	20-85% RH (no condensation)
Display	1.2-inch TFT color liquid crystal display
Power Supply	AC24 V ± 10%, 60 Hz
Power Consumption	50 W (max.)

### **Extension Adapter Hardware Specification**

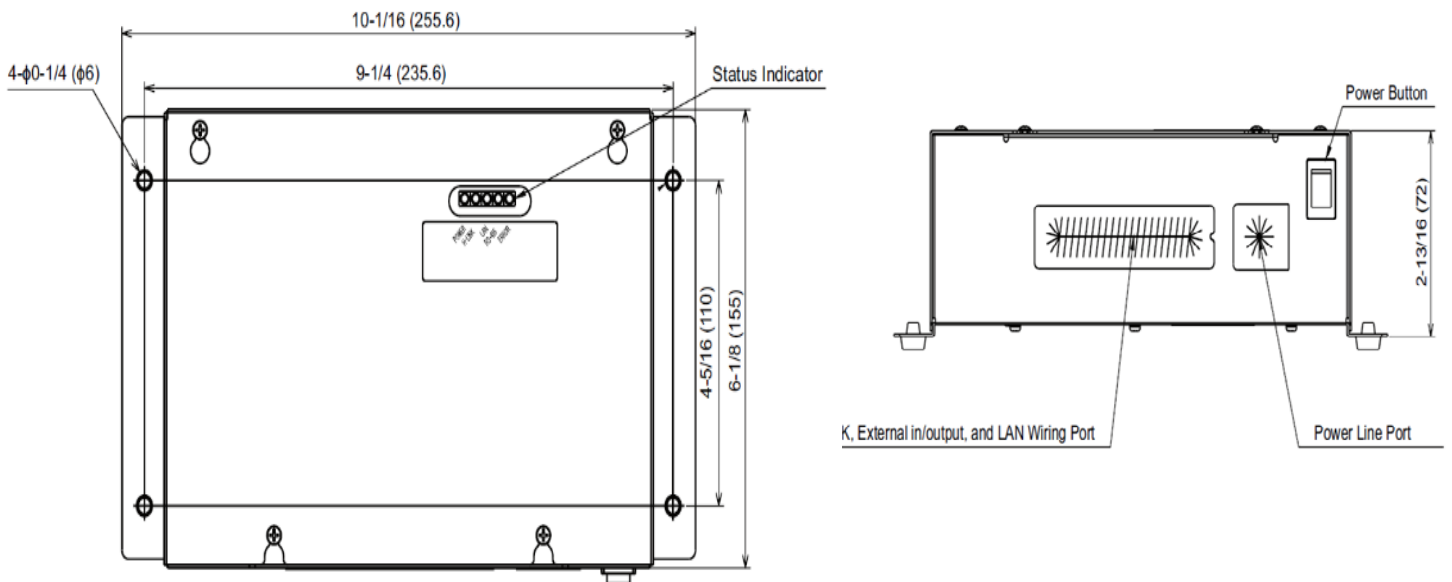
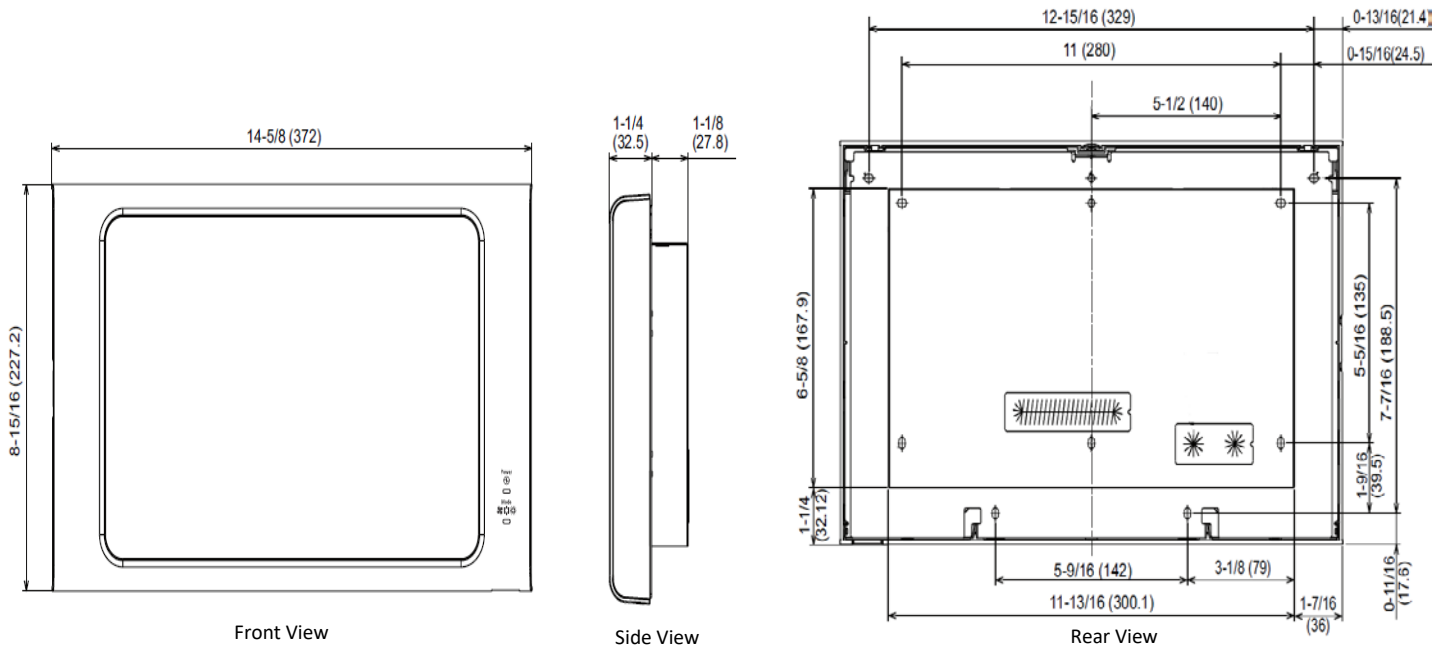
Item	Specification
Dimensions (W × H × D)	10-1/16 × 2-13/16 × 6-1/8 (protruding part not included) inch (255.6 × 72 × 155 [protruding part not included] mm)
Net Weight	3.3 lbs. (1.5 kg)
Installation Condition	For indoor use only. Applicable for horizontal installation and vertical on-wall mount.
Ambient Temperature	32~104°F (0~40°C)
Ambient Humidity	20-85% RH (no condensation)
Power Supply	AC24 V ± 10%, 60 Hz
Power Consumption	10 W or less

# SUBMITTAL DATA SHEET

## Air Conditioners Communication Specification

Item	Specification
Communication Peer	Indoor units /outdoor units
Communication Line	Nonpolar two wire, stranded-copper, shielded
Communication Method	Half-duplex Communication
Synchronous Method	Asynchronous
Communication Speed	9,600 bps
Total Wiring Length	3,281 ft. (1000 m)
Maximum Controlled Unit Number on System	Outdoor unit: Max. 64 units. Indoor unit: Max. 160 units. Central Controller: 8 pcs. Total Number: 200

## Dimensional Data



# SUBMITTAL DATA SHEET

## System Configuration

