

Submittal Data Sheet

8.0 RT COBS096B21S

Change-over Box

| | | | |
|-------------------|--|--------------|---------------|
| Job Name: | | Location: | |
| Purchaser: | | Order No: | |
| Engineer: | | | |
| Submitted To: | | Approval: | Construction: |
| Submitted By: | | Date: | |
| Unit Designation: | | Schedule No: | Model No: |

FEATURES

- Used with heat recovery systems only
- No heat exchange occurs
- Will continue to operate even if a malfunction occurs in 1 indoor unit on the same circuit

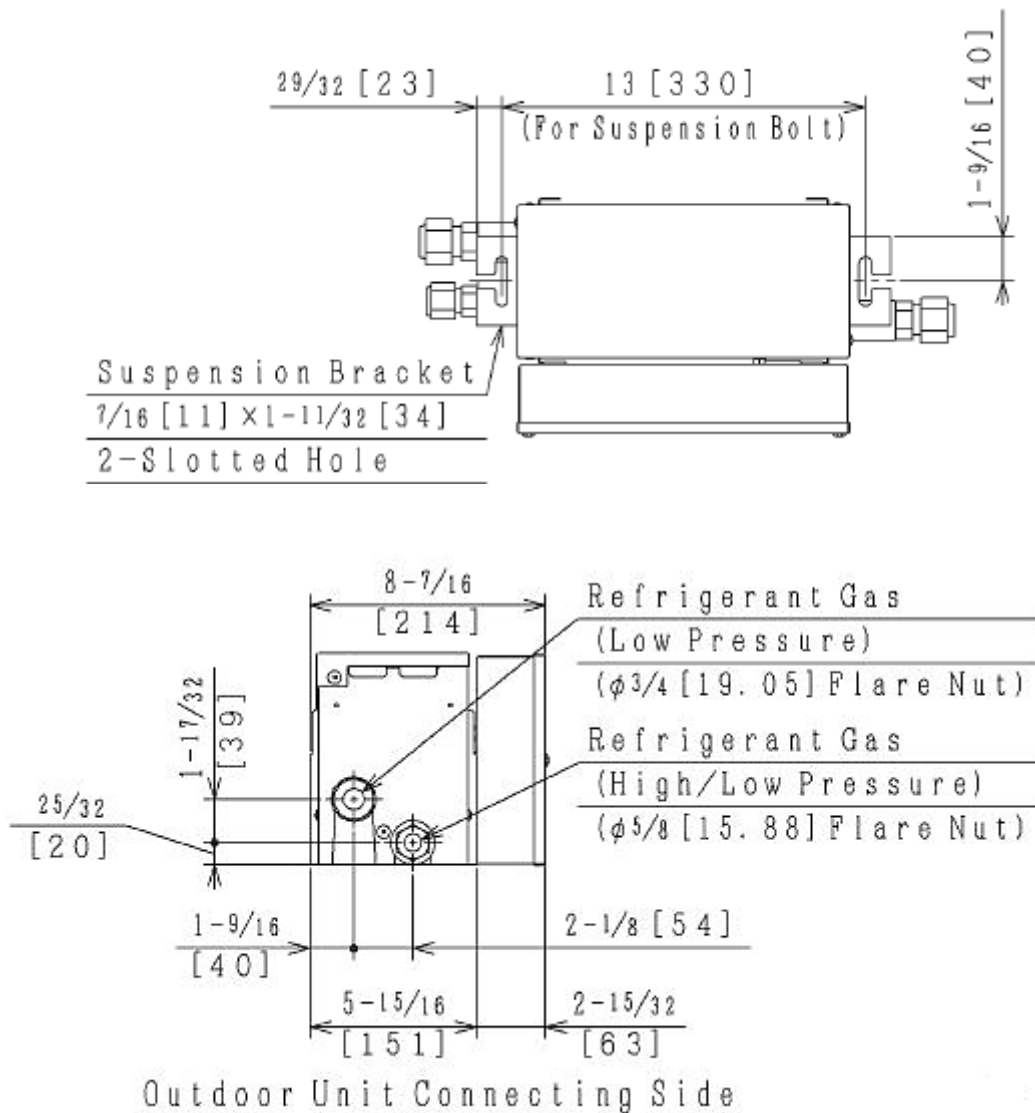


| | | | |
|--|------------------------------|---------------------------|----------------|
| Model | | COBS096B21S | |
| Power Supply | | AC 1Phase, 208/230V, 60Hz | |
| Power Consumption | | W | 20 |
| Connectable Indoor Unit Total Capacity | more than 2 units | MBH | 42 - 71 |
| | 1 unit | MBH | 49 - 96 |
| Number of Connectable Indoor Unit | | 1 - 8 | |
| Outer Dimensions | | | |
| Height | | in.(mm) | 7-17/32 (191) |
| Width | | in.(mm) | 11-27/32 (301) |
| Depth | | in.(mm) | 8-7/16 (214) |
| Net Weight | | lbs(kg) | 15 (7) |
| Refrigerant | | - | R410A |
| Min Circuit Amps | | A | 0.1 |
| Recommended Fuse/Breaker Size | | A | 15 |
| Maximum Fuse Size | | A | 15 |
| Refrigerant Piping (from outdoor unit) | Gas Line (Low Pressure) | in.(mm) | 3/4 (19.05) |
| | Gas Line (High/Low Pressure) | in.(mm) | 5/8 (15.88) |
| | Liquid Line | in.(mm) | - |
| Refrigerant Piping (from indoor unit) | Gas Line | in.(mm) | 3/4 (19.05) |
| | Liquid Line | in.(mm) | - |

System Dimensions

Change-over Box

Model: COBS096B21S



Notes:

1. Change-over box consists of mechanical parts such as electronic expansion valves. Ensure the service access door is below the electrical box.
2. Refrigerant flow sound may be heard from the change-over box when the micro-computer control expansion valve in the change-over box is activated. Therefore, take the following action to minimize the sound
 - (A) Install the change-over box inside the ceiling.
As for the ceiling material, select a material like a plaster board which minimizes operation sound.
 - (B) Do not install the change-over box in a place that may be noise sensitive.
3. Do not connect the liquid piping to other units.

