

P Series

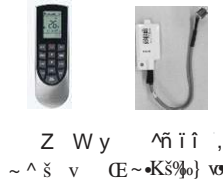
SUBMITTAL DATA SHEET

DHP09NWB11S/DHP09CSB11S **9,000 BTU/H (115V) Wall Mounted Heat Pump System**

Job Name:		Location:	
Purchaser:		Order No.:	
Engineer:			
Submitted To:	For:	Ref:	Approval:
Submitted By:		Date:	
Unit Designation:		Schedule No.:	Model No.:

FEATURES

- { Compact and Quiet Design
- { High Efficiency DC Inverter Technology
- { Wireless Remote with LCD Display
- { Low Ambient Cool to 0 deg F
- { Vertical Swing Louver



DHP09NWB11S



DHP09CSB11S

ACCESSORIES

- { WiredControlleDWCPXi
- { WiredControlleDWUNI
- { Wi-FiModuleCS532AH



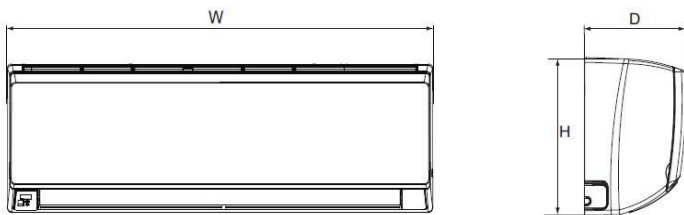
the / t Wyi
~ K %o š] } v K %o š] } v o •

System Rating		
System Type		Heat Pump
Rated Cooling Capacity	Btu/h	9000
Cooling Capacity (Min-Max)	Btu/h	(2,764-10,918)
Rated Heating Capacity	Btu/h	9,600
Heating Capacity (Min-Max)	Btu/h	(2,081-12,283)
EER		9.55
SEER		16
HSPF		9
Rated Voltage	V-PH-Hz	115-1-60
Rated Cooling Current	Amps	10.9
Rated Heating Current	Amps	10.2
MCA	Amps	17
MOCP	Amps	25
Max. Total Piping Length	ft. (m)~	65 (19.8)
Max. Piping Height	ft. (m)~	40 (12.1)
Piping Connection - Liquid (O.D.)	in.	1/4
Piping Connection - Gas (O.D.)	in.	3/8
Indoor Model Number		DHP09NWB11S
Set Temperature Range	F (C)	61—86 (16—30)
Airflow High to Low	CFM	318/288/241/171
Low	dB(A)	42/38/34/28
Unit Dimension (WxHxD)	in. (mm)	31.10x10.82x7.87 (790x275x200)
Net Weight / GrossWeight	lbs (kg)	20.94/25.35 (9.5/11.5)
Outdoor Model Number		DHP09CSB11S
Operation Range - Cooling	F (C)	0~115 (-18~46)
Operation Range - Heating	F (C)	-4~75 (-20~24)
Refrigerant		R410A
Refrigerant Charge	oz (kg)	24.69 (0.70)
Unit Dimension (WxHxD)	in. (mm)	33.38x21.25x12.59 (848x540x320)
Net Weight / GrossWeight	lbs (kg)	62.83/68.34 (28.5/31)
Sound Pressure LeveldB(A)	dB(A)	53

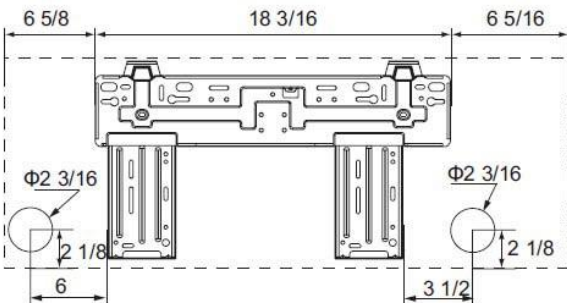
DHP09NWB11S/DHP09CSB11S

Unit: inch

Indoor Unit Dimensions



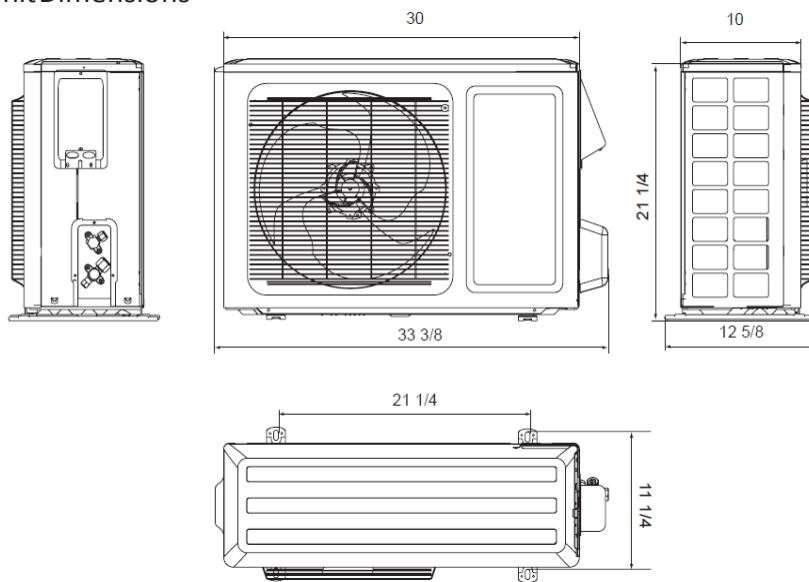
Dimensions	
W	31 1/8
H	10 7/8
D	7 7/8



Drain Connector	5/8-in OD
-----------------	-----------

Outdoor Unit Dimensions

Unit: inch



- Notes:
1. Recommended Communication Cable Type 18-2 AWG Stranded Copper THHN 600V Wire
 2. Power wiring cable size must comply with applicable national and local codes
 3. Test conditions are based on AHRI 210/240

