

SUBMITTAL DATA SHEET

DHP09NWB21S **9,000 BTU/H Wall Mounted Heat Pump System**

Job Name:		Location:	
Purchaser:		Order No.:	
Engineer:			
Submitted To:	For:	Ref:	Approval:
Submitted By:		Date:	
Unit Designation:		Model No.:	

FEATURES

- Compact and Quiet Design
- 4 Indoor Fan Speeds
- Vertical Swing Louver
- Wireless Remote with LCD Display



DHP09NWB21S

ACCESSORIES

- Wired Controller DWUNI
- Wired Controller DWCPX2
- Wi-Fi Module CS532AH

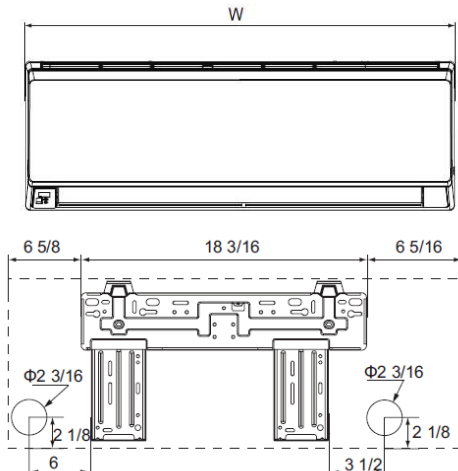


DRCPX CS532AH DWUNI DWCPX2
 (Standard) (Optional) (Optional) (Optional)

Indoor Model number		DHP09NWB21S
System Type		Heat Pump
Nominal Capacity - Cooling	Btu/h	9,000
Nominal Capacity - Heating	Btu/h	9,500
Rated Voltage	V-Ph-Hz	208/230-1-60
Airflow High to Low	CFM	318/288/241/171
Sound Pressure Level High to Low	dB(A)	43/38/34/28
Piping Connection - Liquid (O.D.)	in.	1/4
Piping Connection - Gas (O.D.)	in.	3/8

Indoor Unit Dimensions

Units: inch



Dimensions	
W	31 1/8
H	10 7/8
D	7 7/8

Drain Connector	5/8-in OD
-----------------	-----------