

# SUBMITTAL DATA SHEET

<b>DHP12NWB11S/DHP12CSB11S</b>		<b>12,000 BTU/H (115V) Wall Mounted Heat Pump System</b>		
<b>Job Name:</b>		<b>Location:</b>		
<b>Purchaser:</b>		<b>Order No.:</b>		
<b>Engineer:</b>				
<b>Submitted To:</b>	<b>For:</b>	<b>Ref:</b>	<b>Approval:</b>	<b>Construction:</b>
<b>Submitted By:</b>			<b>Date:</b>	
<b>Unit Designation:</b>		<b>Schedule No.:</b>	<b>Model No.:</b>	

## FEATURES

- { Compact and Quiet Design
- { High Efficiency DC Inverter Technology
- { Wireless Remote with LCD Display
- { Low Ambient Cool to 0 deg F
- { Vertical Swing Louver



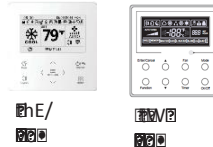
DHP12NWB11S



DHP12CSB11S

## ACCESSORIES

- Wired Controller DWCPX
- Wired Controller DWUNI
- Wi-Fi Module CS532AH

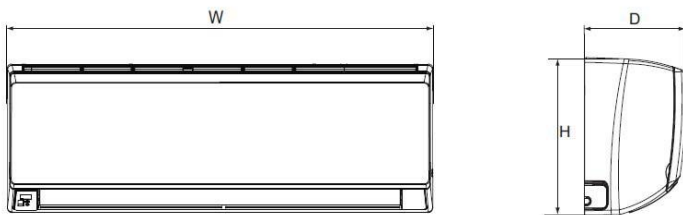


System Rating		
<b>System Type</b>		Heat Pump
Rated Cooling Capacity	Btu/h	12000
Cooling Capacity (Min-Max)	Btu/h	(3,753-12,500)
Rated Heating Capacity	Btu/h	13,000
Heating Capacity (Min-Max)	Btu/h	(3,412-15,013)
EER		10.55
SEER		16
HSPF		9
Rated Voltage	V-PH-Hz	115-1-60
Rated Cooling Current	Amps	12.4
Rated Heating Current	Amps	13.5
MCA	Amps	20
MOCP	Amps	30
Max. Total Piping Length	ft. (m)	65 (19.8)
Max. Piping Height	ft. (m)	40 (12.1)
Piping Connection - Liquid (O.D.)	in.	1/4
Piping Connection - Gas (O.D.)	in.	3/8
<b>Indoor Model Number</b>		DHP12NWB11S
Set Temperature Range	F (C)	61—86 (16—30)
Airflow High to Low	CFM	400/318/241/194
Low	dB(A)	43/39/35/29
Unit Dimension (WxHxD)	in. (mm)	33.26x11.37x8.22 (845x289x209)
Net / Gross Weight	lbs (kg)	23.14/27.55 (10.5/12.5)
<b>Outdoor Model Number</b>		DHP12CSB11S
Operation Range - Cooling	F (C)	0~115 (-18~46)
Operation Range - Heating	F (C)	-4~75 (-20~24)
Refrigerant		R410A
Refrigerant Charge	oz (kg)	31.74 (0.9)
Unit Dimension (WxHxD)	in. (mm)	33.38x21.25x12.59 (848x540x320)
Net / Gross Weight	lbs (kg)	67.24/72.75 (30.5/33)
Sound Pressure Level dB(A)	dB(A)	53

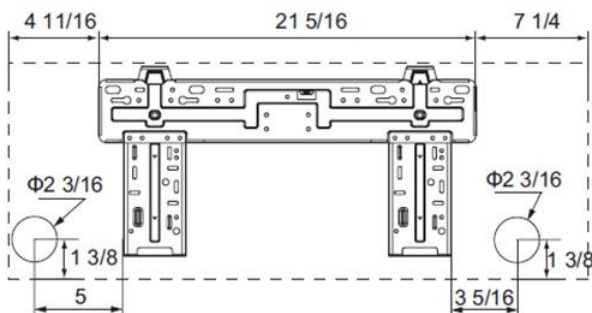
DHP12NWB11S/DHP12CSB11S

Unit: inch

Indoor Unit Dimensions



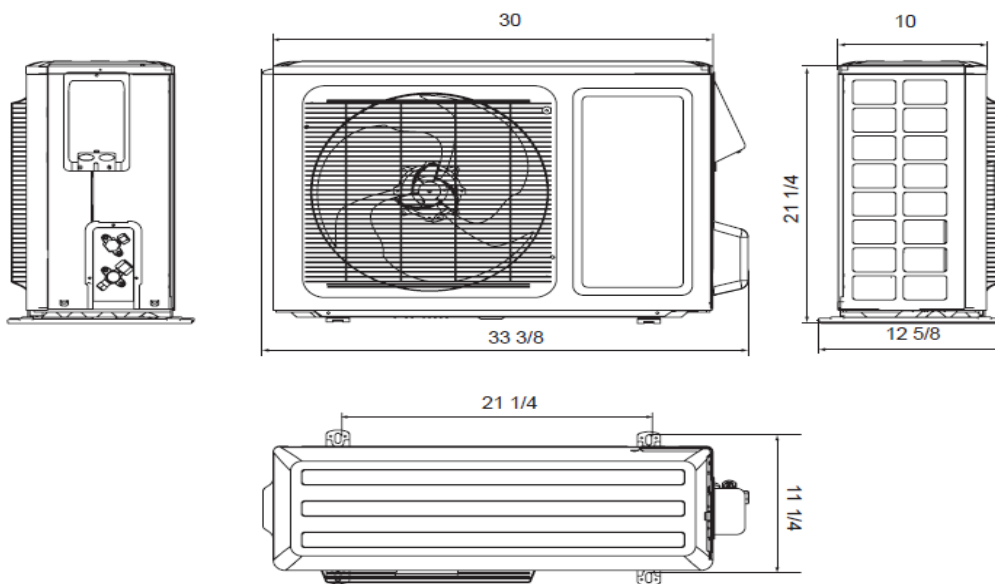
Dimensions	
W	33 1/4
H	11 3/8
D	8 1/4



Drain Connector	5/8-in OD
-----------------	-----------

Outdoor Unit Dimensions

Unit: inch



OD Flared  
OD Flared

Notes:

1. Recommended Communication Cable Type 18-2 AWG Stranded Copper THHN 600V Wire
2. Power wiring cable size must comply with applicable national and local codes
3. Test conditions are based on AHRI 210/240

