

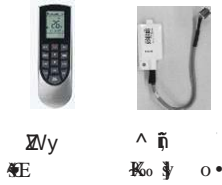
SUBMITTAL DATA SHEET

DHP12NWB21S/DHP12CSB21S **12,000 BTU/H Wall Mounted Heat Pump System**

Job Name:		Location:	
Purchaser:		Order No.:	
Engineer:			
Submitted To:	For:	Ref:	Approval:
Submitted By:		Date:	
Unit Designation:		Schedule No.:	Model No.:

FEATURES

- { Compact and Quiet Design
- { High Efficiency DC Inverter Technology
- { Wireless Remote with LCD Display
- { Low Ambient Cool to 0 deg F
- { Vertical Swing Louver



DVY ^ n
 /E K o ↓ o •



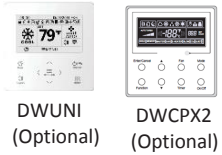
DHP12NWB21S



DHP12CSB21S

ACCESSORIES

- Wired Controller DWCPX2
- Wired Controller DWUNI
- Wi-Fi Module CS532AH



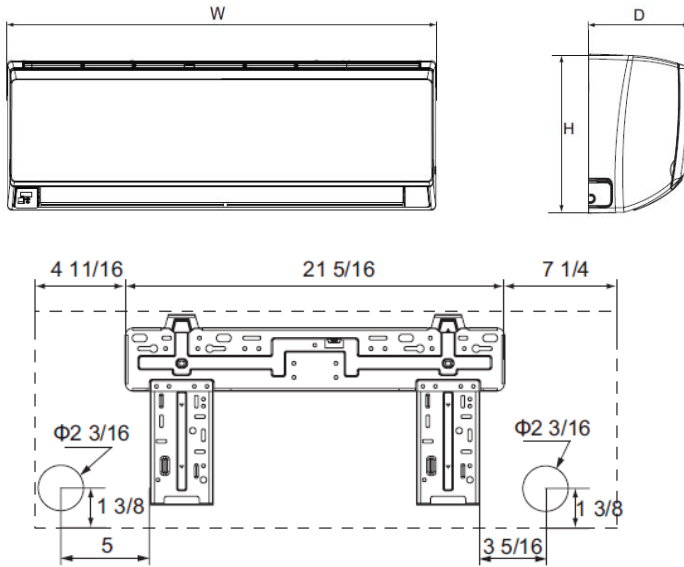
DWUNI DWCPX2
 (Optional) (Optional)

System Rating		
System Type		Heat Pump
Rated Cooling Capacity	Btu/h	12,000
Cooling Capacity (Min-Max)	Btu/h	3,753-12,500
Rated Heating Capacity	Btu/h	13,000
Heating Capacity (Min-Max)	Btu/h	3,924-14,000
EER		9.25
SEER		16
HSPF		9
Rated Voltage	V-PH-Hz	208/230-1-60
Rated Cooling Current	Amps	5.8
Rated Heating Current	Amps	5.6
MCA	Amps	9
MOCP	Amps	15
Max. Total Piping Length	ft. (m)	65 (19.8)
Max. Piping Height	ft. (m)	40 (12.1)
Piping Connection - Liquid (O.D.)	in.	1/4
Piping Connection - Gas (O.D.)	in.	3/8
Indoor Model number		DHP12NWB21S
Set Temperature Range	°F (°C)	61 ~ 86 (16 ~ 30)
Airflow High to Low	CFM	400/318/241/194
Sound Pressure Level High to Low	dB(A)	43/39/35/29
Unit Dimension (WxHxD)	in. (mm)	33.26x11.37x8.22 (845x289x209)
Net Weight / Gross Weight	lbs (kg)	23.14/27.55 (10.5/12.5)
Outdoor Model number		DHP12CSB21S
Operation Range - Cool/Heat	°F (°C)	0 ~ 115 (-18 ~ 46) / -4 ~ 75 (-20 ~ 24)
Refrigerant		R410A
Refrigerant Charge	oz (kg)	30 (0.85)
Unit Dimension (WxHxD)	in. (mm)	30.55x21.26x12.59 (776x540x320)
Net Weight / Gross Weight	lbs (kg)	67.24/72.75 (30.5/33)
Sound Pressure Level dB(A)	dB(A)	53

DHP12NWB21S/DHP12CSB21S

Unit: inch

Indoor Unit Dimensions

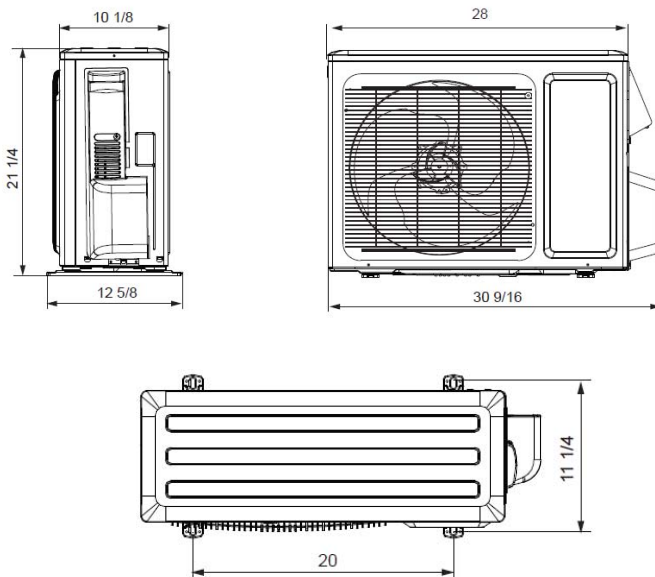


Dimensions	
W	33 1/4
H	11 3/8
D	8 1/4

Drain Connector	5/8-in OD
-----------------	-----------

Outdoor Unit Dimensions

Unit: inch



Notes:

1. Recommended Communication Cable Type 18-2 AWG Stranded Copper THHN 600V Wire
2. Power wiring cable size must comply with applicable national and local codes
3. Test conditions are based on AHRI 210/240

