

SUBMITTAL DATA SHEET

DHP12NWB21S **12,000 BTU/H Wall Mounted Heat Pump System**

Job Name:		Location:	
Purchaser:		Order No.:	
Engineer:			
Submitted To:	For:	Ref:	Approval:
Submitted By:		Date:	
Unit Designation:		Schedule No.:	Model No.:

FEATURES

- Compact and Quiet Design
- 4 Indoor Fan Speeds
- Vertical Swing Louver
- Wireless Remote with LCD Display



DHP12NWB21S

ACCESSORIES

- Wired Controller DWUNI
- Wired Controller DWCPX2
- Wi-Fi Module CS532AH

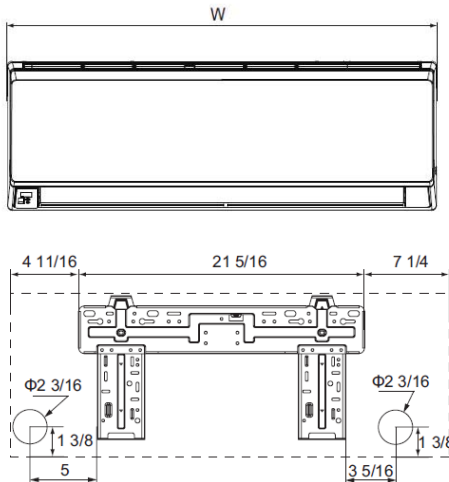


DRCPX CS532AH DWUNI DWCPX2
 (Standard) (Optional) (Optional) (Optional)

Indoor Model number		DHP12NWB21S
System Type		Heat Pump
Nominal Capacity - Cooling	Btu/h	12,000
Nominal Capacity - Heating	Btu/h	13,000
Rated Voltage	V-Ph-Hz	208/230-1-60
Airflow High to Low	CFM	400/318/241/194
Sound Pressure Level High to Low	dB(A)	43/39/35/29
Piping Connection - Liquid (O.D.)	in.	1/4
Piping Connection - Gas (O.D.)	in.	3/8

Indoor Unit Dimensions

Units: inch



Dimensions	
W	31 1/4
H	11 3/8
D	8 1/4

Drain Connector	5/8-in OD
-----------------	-----------