

P Series

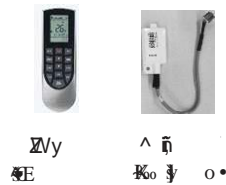
SUBMITTAL DATA SHEET

DHP18NWB21S/DHP18CSB21S **18,000 BTU/H Wall Mounted Heat Pump System**

Job Name:		Location:		
Purchaser:		Order No.:		
Engineer:				
Submitted To:	For:	Ref:	Approval:	Construction:
Submitted By:			Date:	
Unit Designation:		Schedule No.:		Model No.:

FEATURES

- { Compact and Quiet Design
- { High Efficiency DC Inverter Technology
- { Wireless Remote with LCD Display
- { Low Ambient Cool to 0 deg F
- { Vertical Swing Louver



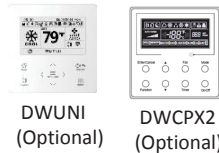
DHP18NWB21S



DHP18CSB21S

ACCESSORIES

- Wired Controller DWCPX2
- Wired Controller DWUNI
- Wi-Fi Module CS532AH

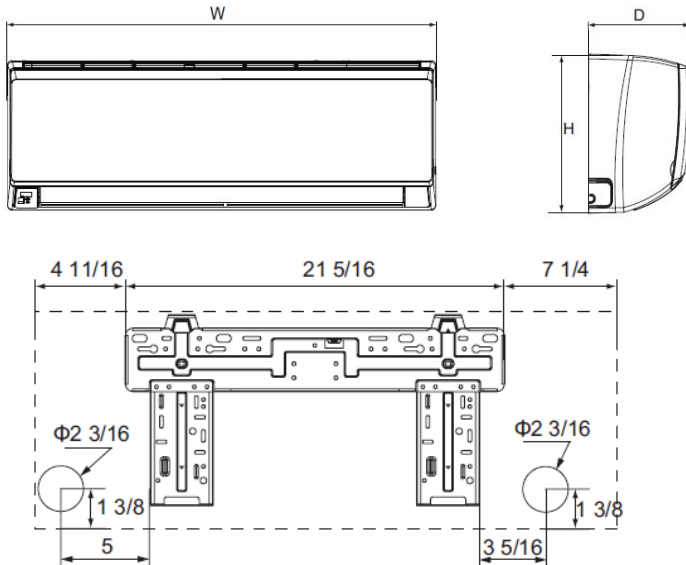


System Rating		
System Type		Heat Pump
Rated Cooling Capacity	Btu/h	18,000
Cooling Capacity (Min-Max)	Btu/h	7,165-20,000
Rated Heating Capacity	Btu/h	19,000
Heating Capacity (Min-Max)	Btu/h	7,336-23,498
EER		9
SEER		16
HSPF		9
Rated Voltage	V-PH-Hz	208/230-1-60
Rated Cooling Current	Amps	8.5
Rated Heating Current	Amps	8.9
MCA	Amps	16
MOCP	Amps	25
Max. Total Piping Length	ft. (m)	100 (30.5)
Max. Piping Height	ft. (m)	50 (15.2)
Piping Connection - Liquid (O.D.)	in.	1/4
Piping Connection - Gas (O.D.)	in.	1/2
Indoor Model number		DHP18NWB21S
Set Temperature Range	°F (°C)	61~86 (16~30)
Airflow High to Low	CFM	471/403/341/282
Sound Pressure Level High to Low	dB(A)	46/42/39/35
Unit Dimension (WxHxD)	in. (mm)	38.18x11.81x8.81 (970x300x224)
Net Weight / Gross Weight	lbs (kg)	29.76/36.37 (13.5/16.5)
Outdoor Model number		DHP18CSB21S
Operation Range - Cool/Heat	°F (°C)	0~115(-18~46)/-4~75(-20~24)
Refrigerant		R410A
Refrigerant Charge	oz (kg)	49.38 (1.4)
Unit Dimension (WxHxD)	in. (mm)	37.59x27.55x15.59 (955x700x396)
Net Weight / Gross Weight	lbs (kg)	95.9/105.82(43.5/48)
Sound Pressure Level dB(A)	dB(A)	56

DHP18NWB21S/DHP18CSB21S

Unit: inch

Indoor Unit Dimensions

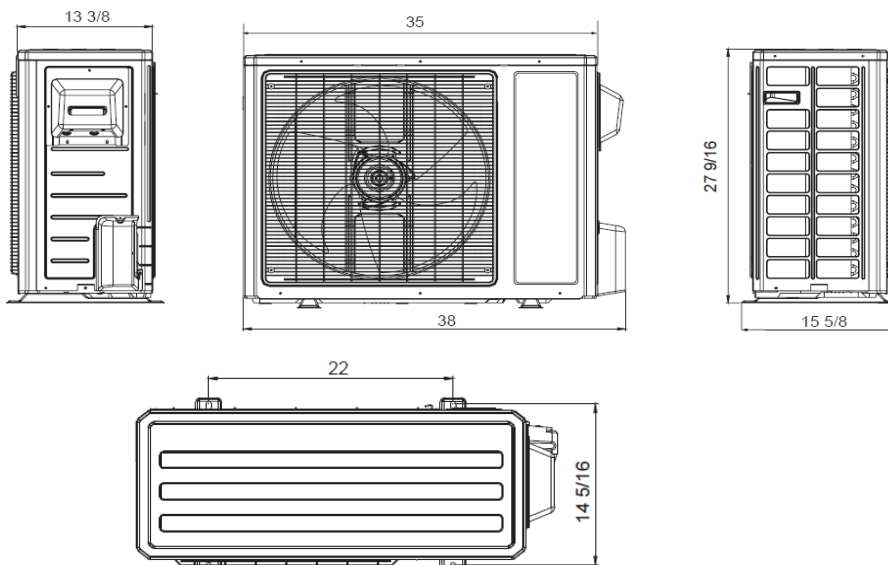


Dimensions	
W	$38\frac{3}{16}$
H	$11\frac{13}{16}$
D	$8\frac{13}{16}$

Drain Connector	5/8-in OD
-----------------	-----------

Outdoor Unit Dimensions

Unit: inch



Notes:

1. Recommended Communication Cable Type 18-2 AWG Stranded Copper THHN 600V Wire
2. Power wiring cable size must comply with applicable national and local codes
3. Test conditions are based on AHRI 210/240

