

SUBMITTAL DATA SHEET

DHP18NWB21S **18,000 BTU/H Wall Mounted Heat Pump System**

Job Name:		Location:	
Purchaser:		Order No.:	
Engineer:			
Submitted To:	For:	Ref:	Approval:
Submitted By:		Date:	
Unit Designation:		Schedule No.:	Model No.:

FEATURES

- Compact and Quiet Design
- 4 Indoor Fan Speeds
- Vertical Swing Louver
- Wireless Remote with LCD Display



DHP18NWB21S

ACCESSORIES

- Wired Controller DWUNI
- Wired Controller DWCPX2
- Wi-Fi Module CS532AH

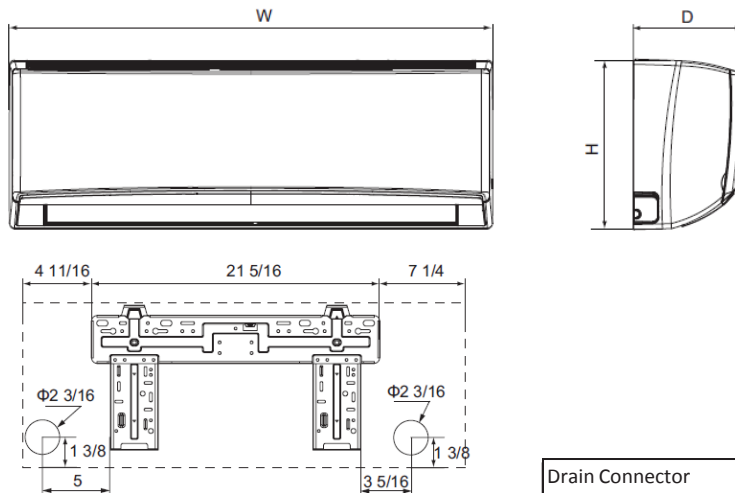


DRCPX (Standard) CS532AH (Optional) DWUNI (Optional) DWCPX2 (Optional)

Indoor Model number		DHP18NWB21S
System Type		Heat Pump
Nominal Capacity - Cooling	Btu/h	18,000
Nominal Capacity - Heating	Btu/h	19,000
Rated Voltage	V-Ph-Hz	208/230-1-60
Airflow High to Low	CFM	471/403/341/282
Sound Pressure Level High to Low	dB(A)	46/42/39/35
Piping Connection - Liquid (O.D.)	in.	1/4
Piping Connection - Gas (O.D.)	in.	1/2

Indoor Unit Dimensions

Units: inch



Dimensions	
W	38 3/16
H	11 13/16
D	8 13/16

Drain Connector	5/8-in OD
-----------------	-----------