

X Series

# SUBMITTAL DATA SHEET

<b>DHX09NWB21S/DHX09CSB21S</b>		<b>9,000 BTU/H Wall Mounted Heat Pump System</b>	
<b>Job Name:</b>		<b>Location:</b>	
<b>Purchaser:</b>		<b>Order No.:</b>	
<b>Engineer:</b>			
<b>Submitted To:</b>	<b>For:</b>	<b>Ref:</b>	<b>Approval:</b>
<b>Submitted By:</b>		<b>Date:</b>	
<b>Unit Designation:</b>		<b>Schedule No.:</b>	<b>Model No.:</b>

## FEATURES

- Compact and Quiet Design
- High Efficiency DC Inverter Technology
- Wireless Remote with LCD Display
- Low Ambient Cool to 0 deg F
- Vertical Swing Louver



DRCPX  
(Standard)



CS532AH  
(Optional)



DHX09NWB21S

## ACCESSORIES

- Simple Wired Controller DWCPX2
- Advanced Wired Controller DWUNI
- Central Controller DCCRMW
- Wi-Fi Module CS532AH



DWUNI  
(Optional)



DWCPX2  
(Optional)



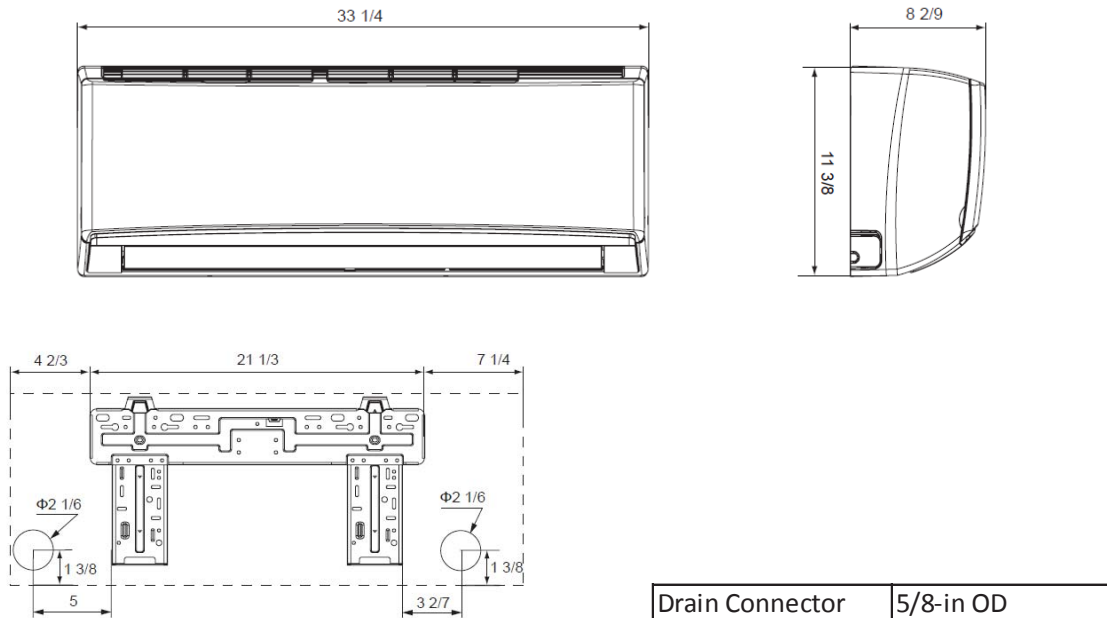
DHX09CSB21S

System Ratings			Indoor Model number		DHX09NWB21S
<b>Cooling</b>			<b>Fan Motor - Type</b>		Cross-flow
Rated Cooling Capacity	Btu/h	9,000	OutPut Power	W	20
Cooling Capacity (Min-Max)	Btu/h	3,099-9,599	FLA	Amps	0.09
Power Input (Max)	W	1300	Set Temperature Range	°F (°C)	61~86 (16~30)
SEER		23	Airflow High to Low	CFM	318/288/241/171
EER		14.29	SoundPressureLevel High to Low	dB(A)	43/39/35/29
<b>Heating</b>			Net Weight / Gross Weight	lbs (kg)	22(10)/26.5(12)
Rated Heating Capacity	Btu/h	11,000	<b>Outdoor Model number</b>		DHX09CSB21S
Heating Capacity (Min-Max)	Btu/h	1,911-12,000	<b>Compressor -Type</b>		DC Inverter Driven Swing
Power Input (Max)	W	1350	RLA	Amps	4
HSPF		10.5	<b>Refrigerant - Type</b>		R410A
<b>Operating Range</b>			Charge	oz (kg)	46 (1.3)
Cooling	°F (°C)	0~115 (-18~46)	<b>Fan Motor - Output Power</b>		W
Heating	°F (°C)	-4~75 (-20~24)	FLA	Amps	0.36
Piping Connection - Liquid (O.D.)	in.	1/4	Sound Pressure Level dB(A)	dB(A)	53
Piping Connection - Gas (O.D.)	in.	3/8	<b>Power Suply</b>		
Connection Method		Flared	Rated Voltage	V-PH-Hz	208/230-1-60
Max. Total Piping Length	ft. (m)	65 (19.8)	Net Weight / Gross Weight	lbs(kg)	32.8(10)/49.2(15)
Max. Piping Height	ft.. (m)	40 (12.1)	MCA	Amps	9
			MOCPP	Amps	15

DHX09NWB21S/DHX09CSB21S

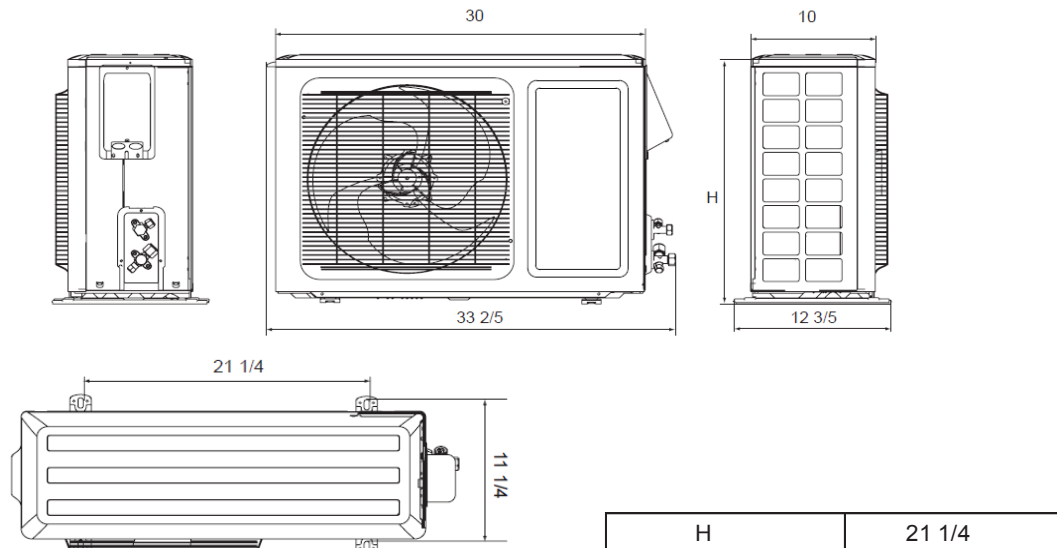
Unit: inch

Indoor Unit Dimensions



Outdoor Unit Dimensions

Unit: inch



- Notes:
1. Recommended Communication Cable Type 18-2 AWG Stranded Copper THHN 600V Wire
  2. Power wiring cable size must comply with applicable national and local codes
  3. Test conditions are based on AHRI 210/240

