

SUBMITTAL DATA SHEET

1.0 RT (H,Y)IC1012B21S Non-Ducted 1-Way Cassette Indoor Unit

Job Name:		Location:	
Purchaser:		Order No.:	
Engineer:			
Submitted To:	For:	Ref:	Approval:
Submitted By:			Date:
Unit Designation:		Schedule No.:	Model No.:

FEATURES:

- Slim and stylish design
- Automatic swing louver distributes
- Airflow evenly for uniform temperature

ACCESSORIES:

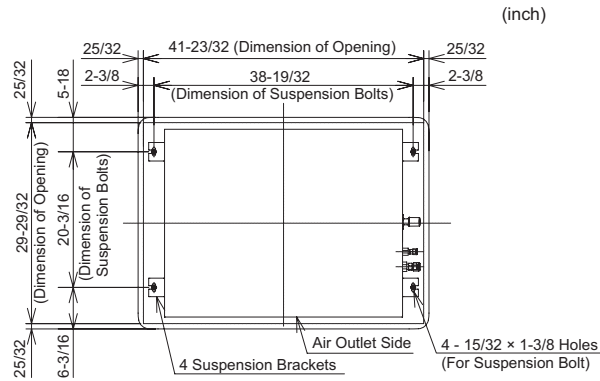
- Panel for 1 way cassette, standard, P-AP36-56CNA
- Motion Sensor Kit, SOR-NES
- Duct Adapter, PD-100
- Grille for Front Discharge, DG-56SW1
- Air Outlet Shutter Plate, PIS-56LS

Model Name				(H,Y)IC1012B21S	
Power Supply				208/230V 1PH 60Hz	
Nominal Capacity	Cooling	Btu/h	(kW)	12000	(3.5)
	Heating	Btu/h	(kW)	13500	(4.0)
Power Consumption	Cooling	W		50	
	Heating	W		50	
Dimension	Height	in	(mm)	9-1/4	(235)
	Width	in	(mm)	35-7/16	(900)
	Depth	in	(mm)	27-15/16	(710)
Net Weight		lb	(kg)	57	(26)
Refrigerant				R410A	
Refrigerant Piping	Gas Line	in	(ϕ mm)	1/2	(12.7)
	Liquid Line	in	(ϕ mm)	1/4	(6.35)
Min Circuit Amps				A	0.4
Maximum Fuse Siza				A	15
Fan Motor Drive				DC \times 1	
Air Flow Rate	Hi2	cfm	(m3/min)	459	(13)
	Hi	cfm	(m3/min)	406	(11.5)
	Me	cfm	(m3/min)	353	(10)
	Lo	cfm	(m3/min)	300	(8.5)
Air Filter				Polypropylene	
Sound Pressure Level	Hi2	dB(A)		40	
	Hi	dB(A)		37	
	Me	dB(A)		33	
	Lo	dB(A)		31	
Dimension	Height	in	(mm)	1-3/8	(35)
	Width	in	(mm)	43-5/16	(1100)
	Depth	in	(mm)	31-1/2	(800)
Net Weight		lb	(kg)	10	(4.5)

System Dimensions

Non-Ducted 1-Way Cassette Indoor Unit

Model: (H,Y)IC1012B21S

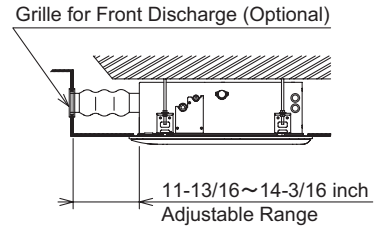


< For a Clipped Ceiling >

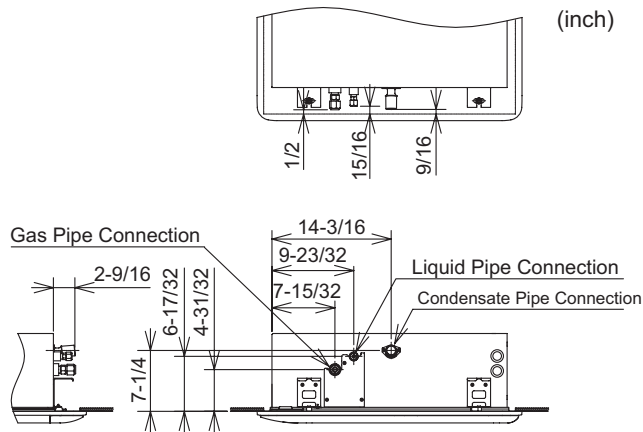
In the case of the installation to a clipped ceiling, adjust the distance between the grille for front discharge and the indoor unit as shown in the figure on the right.

NOTE:

Details of installing method of the optional parts for the grille for front discharge and the air outlet shutter plate are listed in each "Installation Manual".



Piping Connection Dimensions



version 201905