

Submittal Data Sheet

0.5 RT (H,Y)IFE006B21S

Floor Exposed

Job Name:		Location:	
Purchaser:		Order No:	
Engineer:			
Submitted To:		Approval:	Construction:
Submitted By:		Date:	
Unit Designation:		Schedule No:	Model No:



FEATURES

- 8.7 in (220mm) depth preserves room space
- 24.8 in height leaves ample window space
- Ideal for perimeter zone air conditions

Model		(H,Y)IFE006B21S
Indoor Unit Power Supply		AC 1Phase, 208/230V, 60Hz
Nominal Cooling Capacity *1	Btu/h	6,000
	(kW)	(1.8)
Nominal Heating Capacity *1	Btu/h	6,700
	(kW)	(2.0)
Sound Pressure Level *2 (Overall A Scale)		dB 39-33-29
Outer Dimensions		
Height	in. (mm)	24-13/16 (630)
Width	in. (mm)	41-1/8 (1045)
Depth	in. (mm)	8-11/16 (220)
Net Weight		lbs (kg) 61 (28)
Refrigerant		R410A
Indoor Fan		
Air Flow Rate (Hi-Me-Lo)	cfm (m ³ /min)	300-247-212 (8.5-7-6)
External Pressure		in.W.G (Pa) 0.0 (0)
Motor Nominal Output		W 20
Min Circuit Amps		A 0.4
Maximum Fuse Amps		A 15
Connections		
Refrigerant Piping		Flare-Nut Connection (with Flare Nuts)
Liquid Line	in. (mm)	1/4 (6.35)
Gas Line	in. (mm)	1/2 (12.70)
Condensate Drain		
OD	in. (mm)	1-1/4 (32)
ID	in. (mm)	31/32 (25)

NOTES:

*1. Nominal capacity is based on combinations within the VRF system under the following conditions:

Cooling Operation Conditions

Indoor Air Inlet Temperature: 80°F DB (26.7°C DB)
67°F WB (19.4°C WB)

Outdoor Air Inlet Temperature: 95°F DB (35.0°C DB)

Heating Operation Conditions

Indoor Air Inlet Temperature: 70°F DB (21.1°C DB)

Outdoor Air Inlet Temperature: 47°F DB (8.3°C DB)

43°F WB (6.1°C WB)

Piping Length: 24 ft. 7-3/16 in. (7.5m) Piping Lift: 0ft. (0m)

*2. Sound pressure level is based on the following conditions.

4.9 ft. (1.5m) beneath the units.

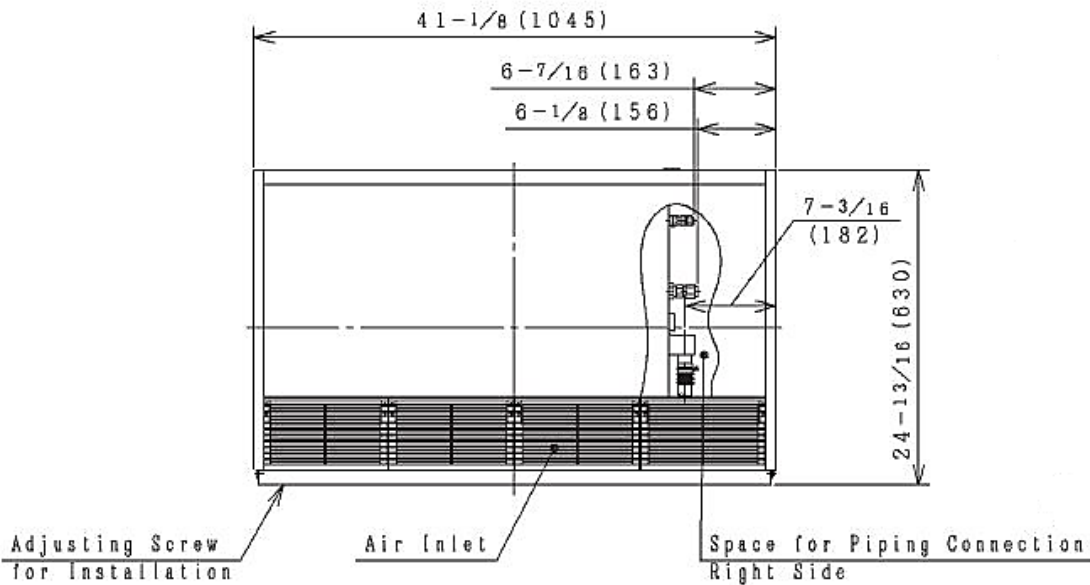
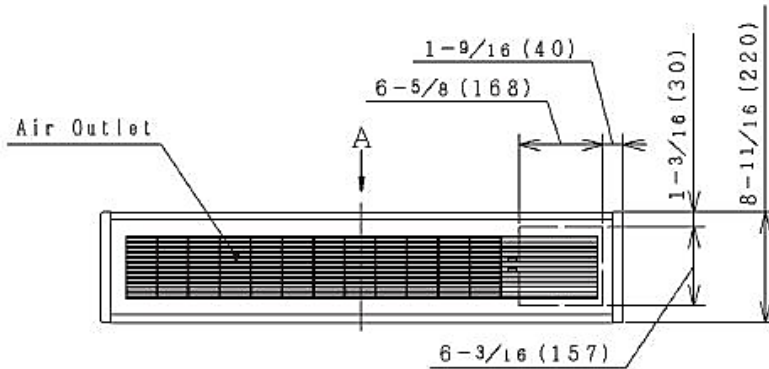
The above data was measured in an anechoic chamber so that reflected sound should be taken into consideration in the field.

System Dimensions

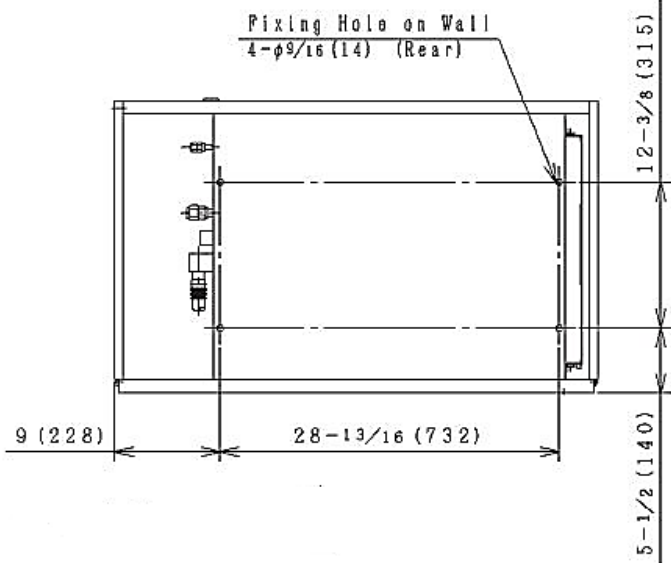
Floor Exposed

Model: (H,Y)IFE006B21S

inch (mm)



View from A



Refrigerant Liquid Pipe Connection
(with $\phi 1/4$ (6.35) Flare Nut)

Refrigerant Gas Pipe Connection
(with $\phi 1/2$ (12.7) Flare Nut)

Drain Pan

Drain Pipe Connection
 $\phi 3/4$ (18.5)

Wiring Hole for Conduit Tube
($\phi 3/8$ (22.2))

Wiring Hole for Control Wiring
($\phi 1/2$ (13))

5-1/4 (133)

2-1/16 (52)

20-13/16 (529)

1-9/16 (40)

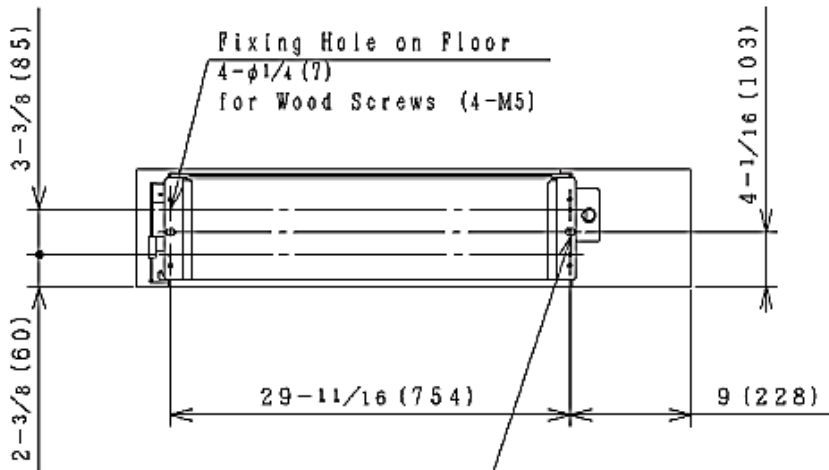
1-3/16 (30)

5-1/4 (134)

1 (26)

10-1/4 (260)

15-1/4 (388)



Fixing Hole on Floor
2- $\phi 1/2$ (12.5) x 1 1/16 (18)
for Bolts (2-M8)

Service Space

Min. 39-3/8 (1000)

Min. 11-13/16 (300)

Min. 11-13/16 (300)

