

Installation Manual for Air Outlet Shutter Plate (for 1-Way Cassette Type)

Model	PIS-56LS
-------	----------

NOTE:

The applicable indoor unit may be different depending on the product series.
Refer to the product catalog for applicable indoor unit models.

IMPORTANT NOTICE:

- Johnson Controls pursues a policy of continuous improvement in design and performance of products. We reserve the right to vary specifications without notice.
- No part of this manual may be reproduced without Johnson Controls' written permission.
- Keep this manual for future reference.
- Johnson Controls cannot anticipate every possible circumstance that might involve a potential hazard.
- This kit is designed for a combination of Johnson Control air conditioners. Do not use this kit by itself or in combination with other companies' air conditioners.
- Perform a test run after installation to check for abnormalities.
- Signal words are used to identify levels of hazard seriousness. Definitions for identifying hazard levels are provided below with their respective signal words.

▲ DANGER

: Indicates a hazardous situation that, if not avoided, will result in death or serious injury.

▲ WARNING

: Indicates a hazardous situation that, if not avoided, could result in death or serious injury.

▲ CAUTION

: Indicates a hazardous situation that, if not avoided, could result in minor or moderate injury.

NOTICE

: Indicates information considered important, but not hazard-related (e.g. messages relating to property damage).

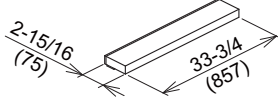
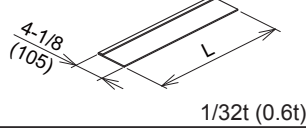
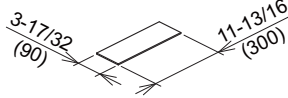
NOTE

: Indicates an useful information for operation and/or maintenance.

- It is assumed that this shutter plate will be installed and serviced by English speaking people. If this is not the case, the customer should add safety, caution and operating signs in the native language.
- If you have any questions, contact your distributor or contractor.
- This manual gives a common description and information for this shutter plate, as well as for other models, which you may operate.
- This manual should be considered a permanent part of the air conditioning equipment and should remain with the air conditioning equipment. Forward this information to the building owner and request that they maintain all the equipment manuals.

1. Factory-Supplied Accessories

Unit: inch (mm)

No.	Accessory	Qty.			
		PIS-56LS			
①	Shutter Plate			1	
②	Sheet		L	34-21/32 (880)	1
③	Patch Sheet			1	

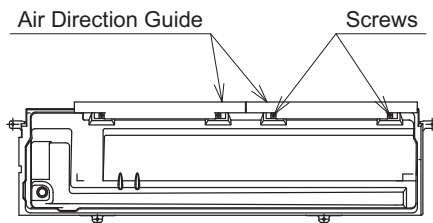
2. Before Installation

Remove the air direction guide from the drain pan.

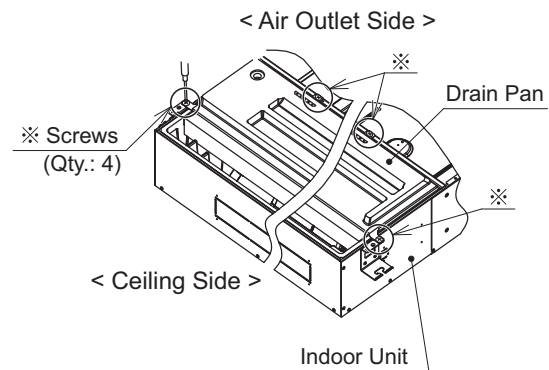
- (1) Remove the drain pan from the indoor unit.
- (2) Remove the air direction guide from the drain pan.
- (3) Reassemble the drain pan.

NOTE:

Keep the air direction guide.



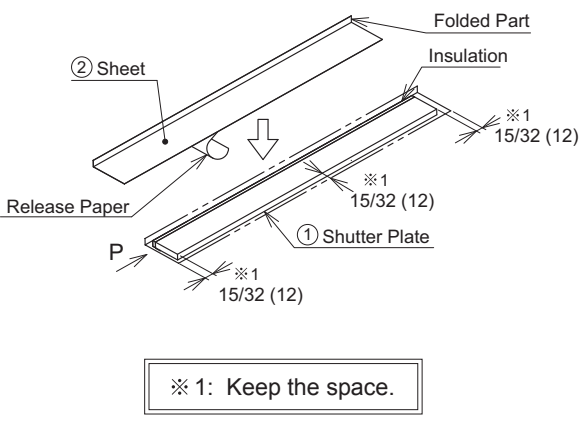
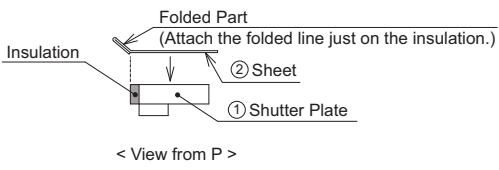
< View from Drain Pan Side >

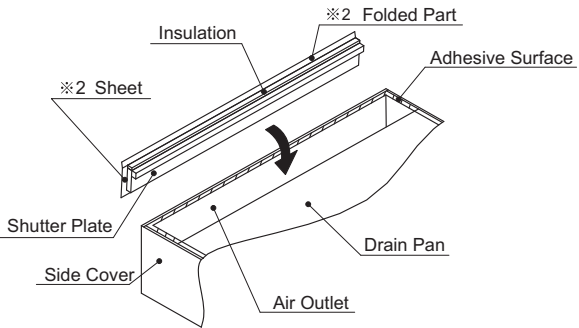


3. Installation

< Procedures >

Unit: inch (mm)

1	<p>Peel off the release paper of the sheet ②. Attach the sheet ② to the insulation ① according to the figure below. Full area of the cover should be covered by the sheet. (Refer to the details for the Folded Part.)</p> <p>● PIS-56LS</p>  <p style="text-align: center;">※ 1: Keep the space.</p>
	<p>[Details of Folded Part]</p>  <p style="text-align: center;">< View from P ></p>

2	<p>Attach the shutter plate ① with the sheet ② on the air outlet of the indoor unit.</p> <p>● PIS-56LS</p>  <p style="text-align: center;">※ 2: When installing, be sure that the folded part touches the drain pan to make the maintenance easier. (At that time, be sure the adhesive surface doesn't touch the drain pan.)</p>
---	---

4. Decorative Panel Installation

- (1) Do not connect the connector and the relay connector.
- (2) Refer to the Installation Manual for the decorative panel.

NOTES:

1. If the sheet ② is peeled off, cut a patch sheet ③ to an appropriate size and repair it.
2. Do not throw away the patch sheet.

