

# Installation Manual for Protection Net (for Left Side Installation of Outdoor Unit)

Model: PN-TP10L

This protection net is to protect the outdoor unit heat exchanger from external damages such as being hit by a ball. Install it following the directions below.

## **IMPORTANT NOTICE:**

- Read and understand this manual before using this protection net.
- Perform the test run after installation to check for abnormalities.
- Forward this information to the building owner and request that they maintain all the equipment manuals.
- Signal words are used to identify levels of hazard seriousness. Definitions for identifying hazard levels are provided below with their respective signal words.



: Indicates a hazardous situation that, if not avoided, could result in minor or moderate injury.

## **1. Applicable Unit**

Name	Protection Net (for Left Side Installation)
Model	PN-TP10L
Required Qty.	1
Applicable Outdoor Unit	Top Flow Type 72,000 to 120,000 Btu/h

### **NOTE:**

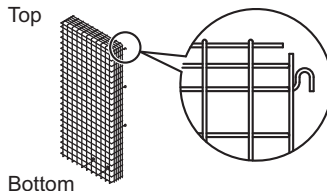

The applicable outdoor unit may be different depending on the product series. Be sure to confirm with the product catalog before installation.

## **2. Installation Work**

- (1) Be sure to securely tighten the protection net with the supplied screws (accessories).  
If the screws are not securely tightened, it may cause vibration or abnormal sound.  
If they are over-tightened, the screw thread will be broken. When tightening the screws, make sure to follow the tightening torque below.
  - Tightening Torque (M5 Screw): 1.8±0.7 ft·lbs (2.5±1.0 N·m)
- (2) Apply touch-up coating at the screw holes of the outdoor unit in order to prevent rusting (field-supplied).
- (3) Secure enough service space with consideration for attaching/detaching the protection net.
  - Service Space with Protection Net: Service Space for Outdoor Unit + Min. 5-7/8 inch (150mm)
- (4) Do not step on the protection net or the outdoor unit in order to prevent falls resulting in injury.
- (5) Fallen leaves or some other objects may be caught by the protection net and piled up. Be sure to check for accumulation and clean the protection net periodically.
- (6) The protection net may freeze in cold weather.
- (7) It is not possible to use the snow protection hood along with the left side inlet.

### 3. Before Installation

Check that all the following accessories are packed with the unit before installation.

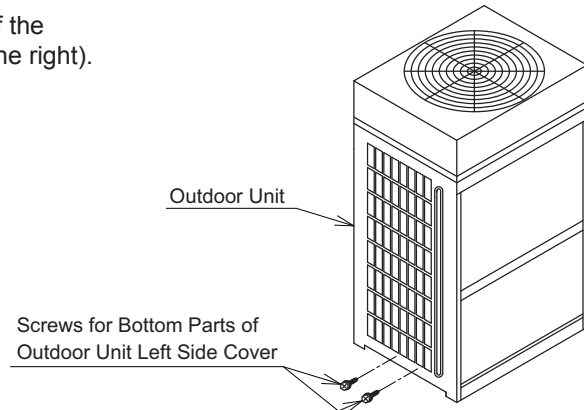
No.	Accessory	Qty.		Remarks
		PN-TP10L		
①	Protection Net (for Left Side Installation)		1	
②	Screw	 M5 x 15/32L (12L) (with Washer)	9 (1)	(1): Spare

Unit: inch (mm)

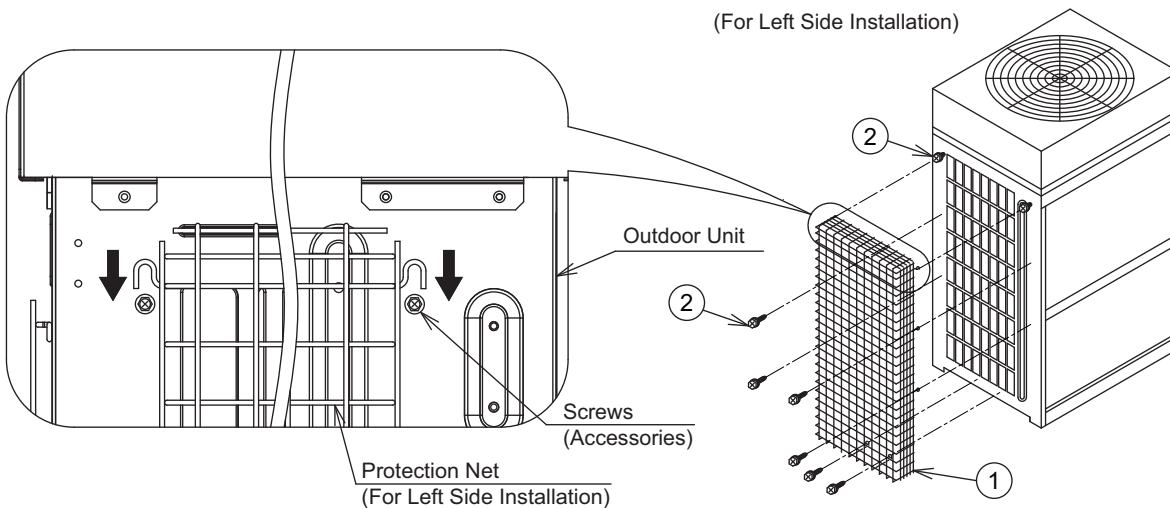
### 4. Installation Procedures

Before installation, confirm the outdoor unit model. If the protection net is available to install, follow the installation procedures.

- (1) Remove the two screws for the bottom parts of the outdoor unit left side cover (see the figure on the right).

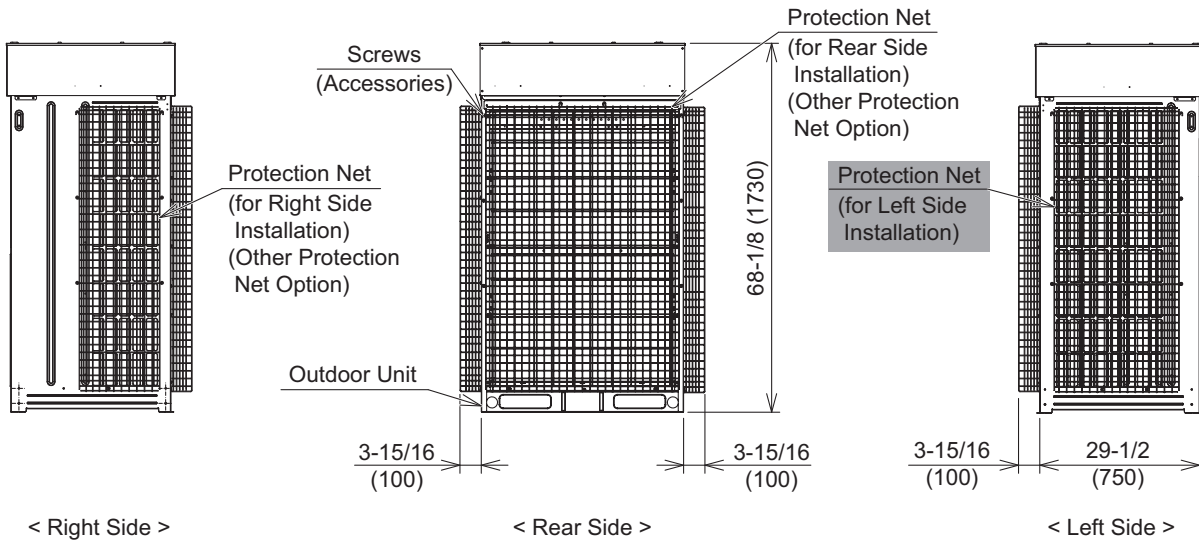


- (2) Tighten loosely two screws ② at the top of the outdoor unit left side, and set the protection net (for left side installation) ① over the top. Securely tighten the other six screws ② except for the top two screws, and finally, tighten the top two screws securely.



## 5. Installation Appearance

Unit: inch (mm)



### Available Combinations

Applicable Outdoor Unit	Model	
	Top Flow Type 72,000 Btu/h	Top Flow Type 96,000 and 120,000 Btu/h
Protection Net for Rear Side	PN-TP10BA	PN-TP10BB
Protection Net for Left Side	PN-TP10L	
Protection Net for Right Side	PN-TP10R	

### NOTES:

- This installation manual applies only to the combination indicated with . For other protection net options, refer to each installation manual.
- Install the required protection net depending on the installation condition.