

# Installation Manual for Protection Net

Model: PN-SP10C1

This Protection Net is to protect the outdoor unit heat exchanger from external damage (such as being hit by a ball). Install it as instructed in this manual.

## **IMPORTANT NOTICE:**

- Johnson Controls pursues a policy of continuous improvement in design and performance of products. We reserve the right to vary specifications without notice.
- No part of this manual may be reproduced without Johnson Controls' written permission.
- Keep this manual for future reference.
- Johnson Controls cannot anticipate every possible circumstance that might involve a potential hazard.
- This kit is designed for a combination of Johnson Control air conditioners. Do not use this kit by itself or in combination with other companies' air conditioners.
- Perform a test run after installation to check for abnormalities.
- Signal words are used to identify levels of hazard seriousness. Definitions for identifying hazard levels are provided below with their respective signal words.



: Indicates a hazardous situation that, if not avoided, could result in death or serious injury.



: Indicates a hazardous situation that, if not avoided, could result in minor or moderate injury.

## **1. Applicable Unit**

Name	Protection Net
Model	PN-SP10C1
Required Qty.	1
Applicable Outdoor Unit	Side Flow Type 36,000 to 60,000 Btu/h

### **NOTE:**

The applicable outdoor unit may be different depending on the product series. Be sure to confirm with the product catalog before installation.

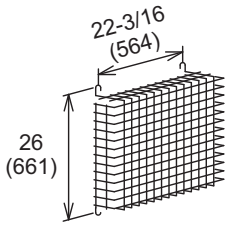
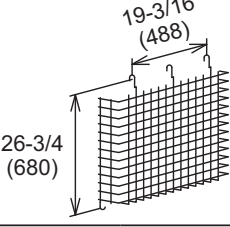
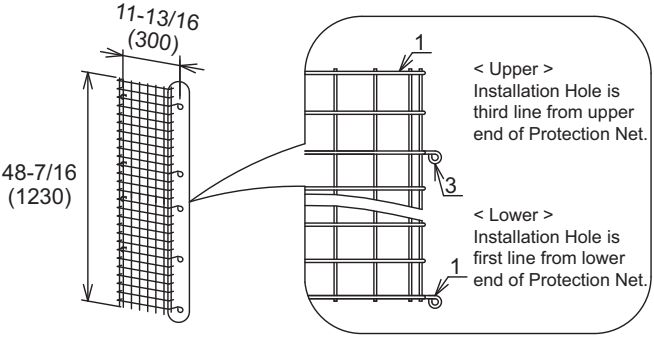
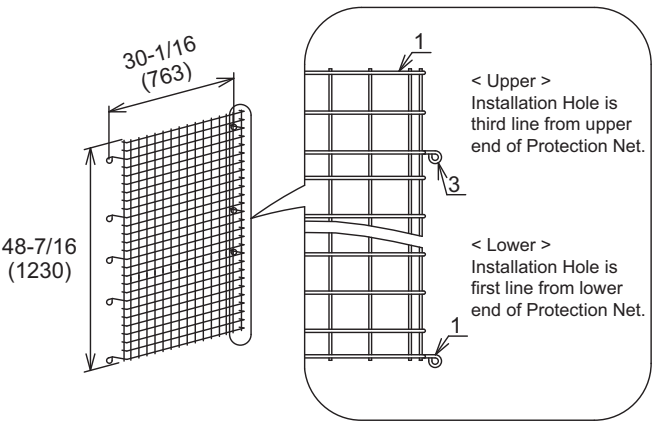
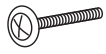
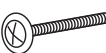
## **2. Installation Work**

- (1) Be sure to securely tighten the Protection Net with the supplied screws (accessories).  
If the screws are not securely tightened, there may be vibration or abnormal sound.  
If they are over-tightened, the screw thread will break. When tightening the screws, make sure to follow the tightening torque below.
  - Tightening Torque (M5 Screw): 1.8±0.7 ft•lbs (2.5±1.0 N•m)
- (2) Apply touch-up coating at the screw holes of the outdoor unit in order to prevent rusting (field-supplied).
- (3) Secure enough service space with consideration for attaching/detaching the Protection Net.
- (4) Do not step on the Protection Net or the outdoor unit in order to prevent falls resulting in injury.
- (5) Fallen leaves or some other objects may be caught by the Protection Net. Be sure to check for accumulation and clean the Protection Net periodically.
- (6) It is not possible to use the Protection Net with the Snow Protection Hood or Wind Guard at the same time.

### 3. Before Installation

Check that all the following accessories are packed with the unit before installation.

Unit: inch (mm)

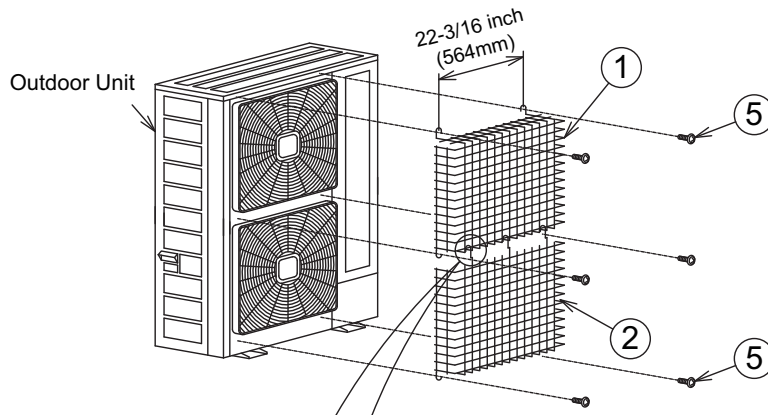
No.	Accessory	Qty.	Remarks
①	Protection Net (for Front/ Upper Side Installation) 	1	
②	Protection Net (for Front/ Lower Side Installation) 	1	
③	Protection Net (for Left Side Installation) 	1	
④	Protection Net (for Rear Side Installation) 	1	
⑤	Securing Screw 	M5 x 5/8L (16L) (with Washer) 28 (2)	(2): Spare
⑥	Securing Screw 	M5 x 13/16L (20L) (with Washer) 1	for Thermistor Cover

## 4. Installation Procedures

### **CAUTION**

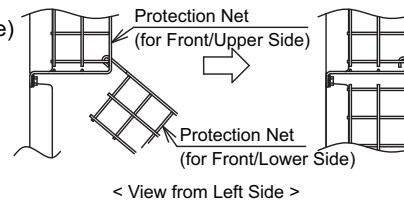
- When combining with the air flow guide and this Protection Net, make sure to maintain enough space between them so they are not touching each other.
- When installing this Protection Net, be careful on the installation side (Upper/ Lower).
- Pay close attention to the installation direction of this Protection Net.

- (1) Secure the Protection Net (both Front/Upper and Front/Lower Side) to the front side of the outdoor unit with six securing screws (5). Follow the installation directions as below.



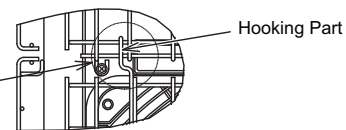
- ① Secure the Protection Net (for Front/Upper Side) to the outdoor unit.

- ② Attach the Front/Lower Side Protection Net as shown in the figure at the right by latching the hook onto the Front/Upper Side Protection Net for proper support. After the Front/Lower Side Protection Net is suspended, use the screws to secure the Protection Net to the outdoor unit.



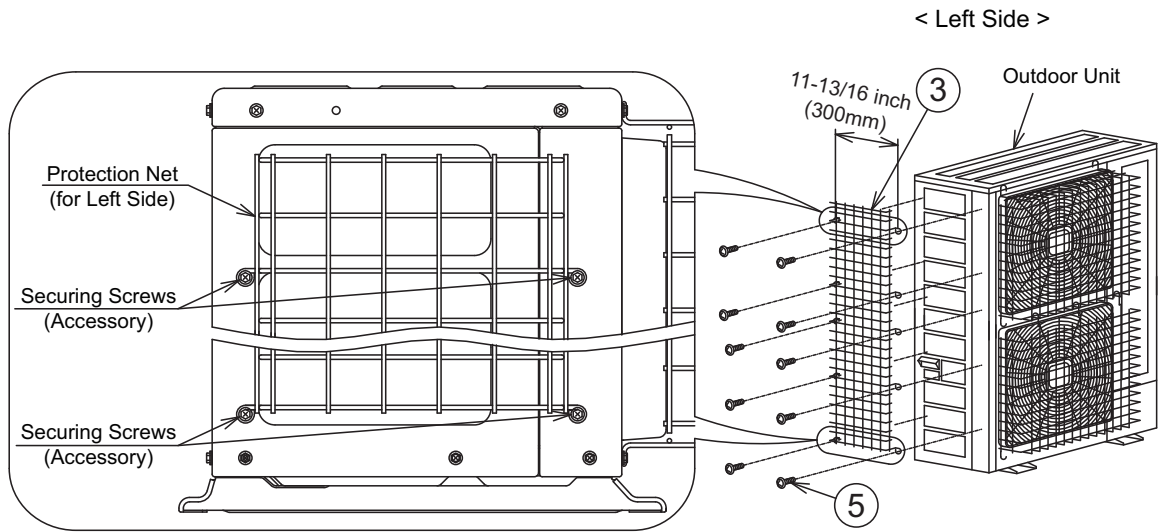
< View from Left Side >

Hooking position is between left side of first and second line of the Protection Net (for Front/Upper Side). Hook the Protection Net (for Front/Lower Side) as shown in the figure at the right.

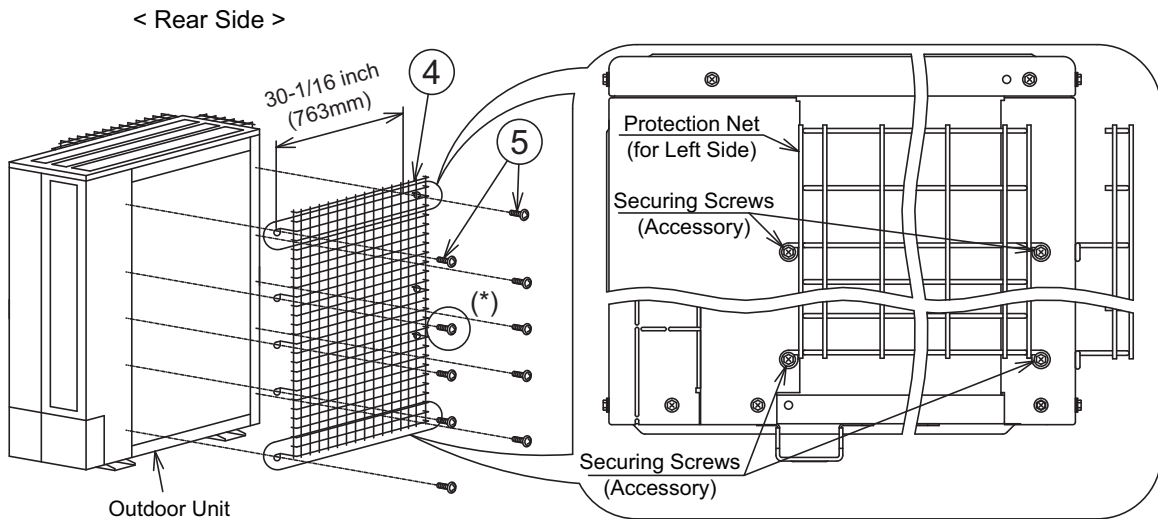


< Detail of Hooking Part >

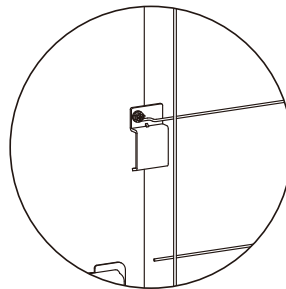
- (2) Secure the Protection Net (for Left Side) to the side of the outdoor unit with ten securing screws (5).  
At this time, follow the installation directions as shown below.



- (3) Remove the existing Protection Net from the outdoor unit (Rear Side).
- (4) Secure the Protection Net (for Rear Side) to the side of the outdoor unit with ten securing screws (5).  
At this time, follow the installation directions as shown below.



- (\*) In case of installation to the outdoor unit with Thermistor Cover at rear side as shown at the right, remove the attached screws and use the securing screw (6) (L: 13-16 inch (20mm)).



- (5) Be sure to tighten the Protection Net securely with securing screws (Accessory).

# 5. Installation Appearance

Unit: inch (mm)

