

Installation Manual for Wind Prevention Tool

Model: THS-335A

This Wind Prevention Tool is to prevent the outdoor unit from overturning by strong winds or an earthquake. For correct performance, read this manual carefully before installation work.

IMPORTANT NOTICE:

- Johnson Controls pursues a policy of continuous improvement in design and performance of products. We reserve the right to vary specifications without notice.
- No part of this manual may be reproduced without Johnson Controls' written permission.
- Keep this manual for future reference.
- Johnson Controls cannot anticipate every possible circumstance that might involve a potential hazard.
- This kit is designed for a combination of Johnson Control air conditioners. Do not use this kit by itself or in combination with other companies' air conditioners.
- Perform a test run after installation to check for abnormalities.
- Signal words are used to identify levels of hazard seriousness. Definitions for identifying hazard levels are provided below with their respective signal words.



: Indicates a hazardous situation that, if not avoided, could result in death or serious injury.



: Indicates a hazardous situation that, if not avoided, could result in minor or moderate injury.

1. Applicable Unit

Name	Wind Prevention Tool
Model	THS-335A
Required Qty.	1
Applicable Outdoor Unit	Side Flow Type 36,000 to 60,000 Btu/h

NOTE:




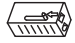




The applicable outdoor unit may be different depending on the product series. Be sure to confirm with the product catalogue before installation.

2. Installation Work

- (1) It is not possible to use the Wind Prevention Tool with the Airflow Guide.
- (2) Adjust the wire securing position to prevent interference in a situation of using in combination with the Wind Guard or Protection Net.

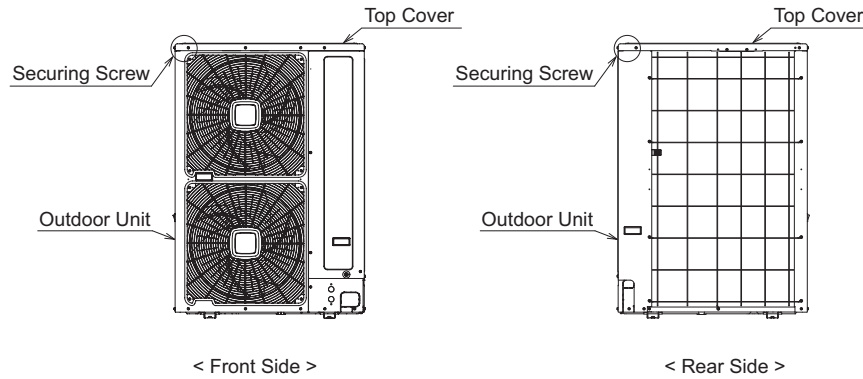
3. Before Installation

Check that all the following accessories are packed with the unit before installation.

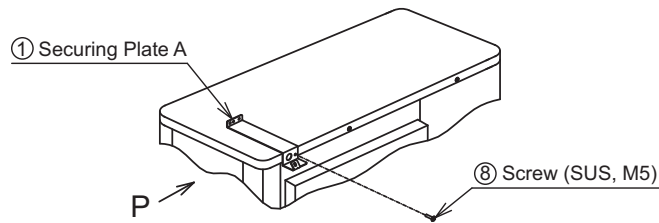
No.		Accessory	Qty.
①	Securing Plate A (Front Side)		2
②	Securing Plate B (Rear Side)	 (with Nut)	2
③	Securing Plate C		4
④	Fastening Fitting		4
⑤	Adjustment Pin		1
⑥	Wire (SUS)	 $\phi 1/16$ inch (2mm) x 66 ft (20m)	1
⑦	Screw (SUS, M6)	 L=1-9/16 inch (40mm) (with Spring Washer and Flat Washer)	4
⑧	Screw (SUS, M5)	 L=13/16 inch (20mm)	2

4. Installation Procedures

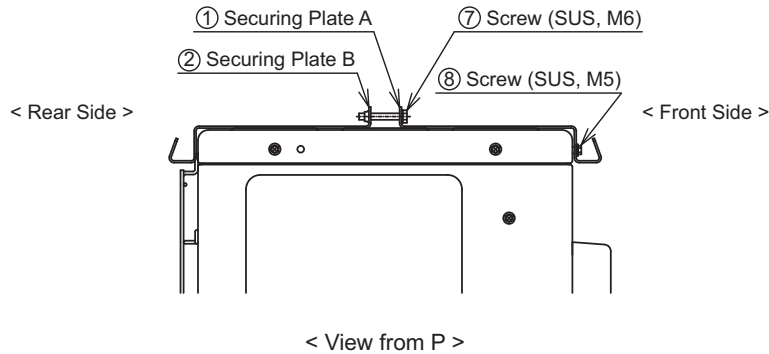
- (1) Remove the securing screws on the outdoor unit top cover. (1 on front side, 1 on rear side)



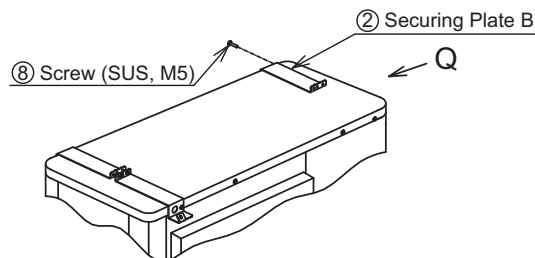
- (2) Attach the securing plate A (①) to the front left side of the outdoor unit top cover with a screw (⑧).



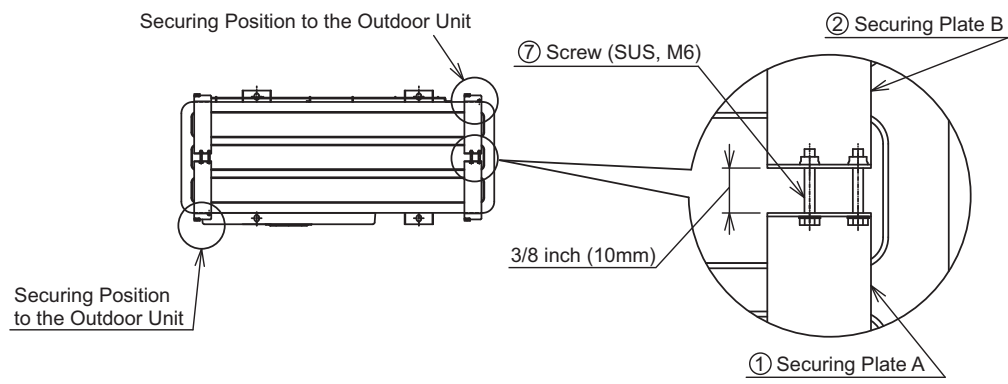
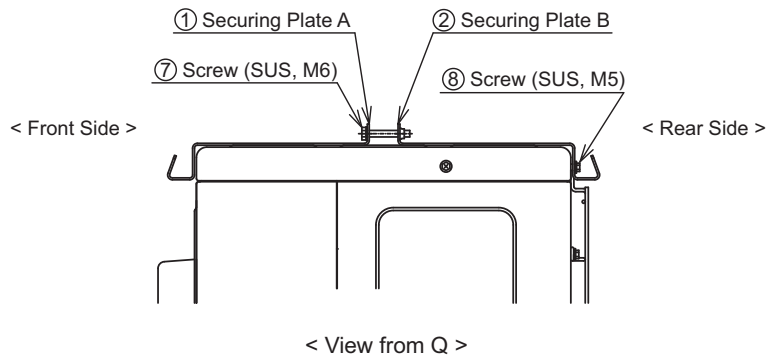
- (3) Attach the securing plate B (②) to the rear side of the outdoor unit top cover with two screws (⑦) at the joint of securing plate A.



- (4) Attach the securing plate B (②) (for rear side) to the right side of the outdoor unit top cover with a screw (⑧).



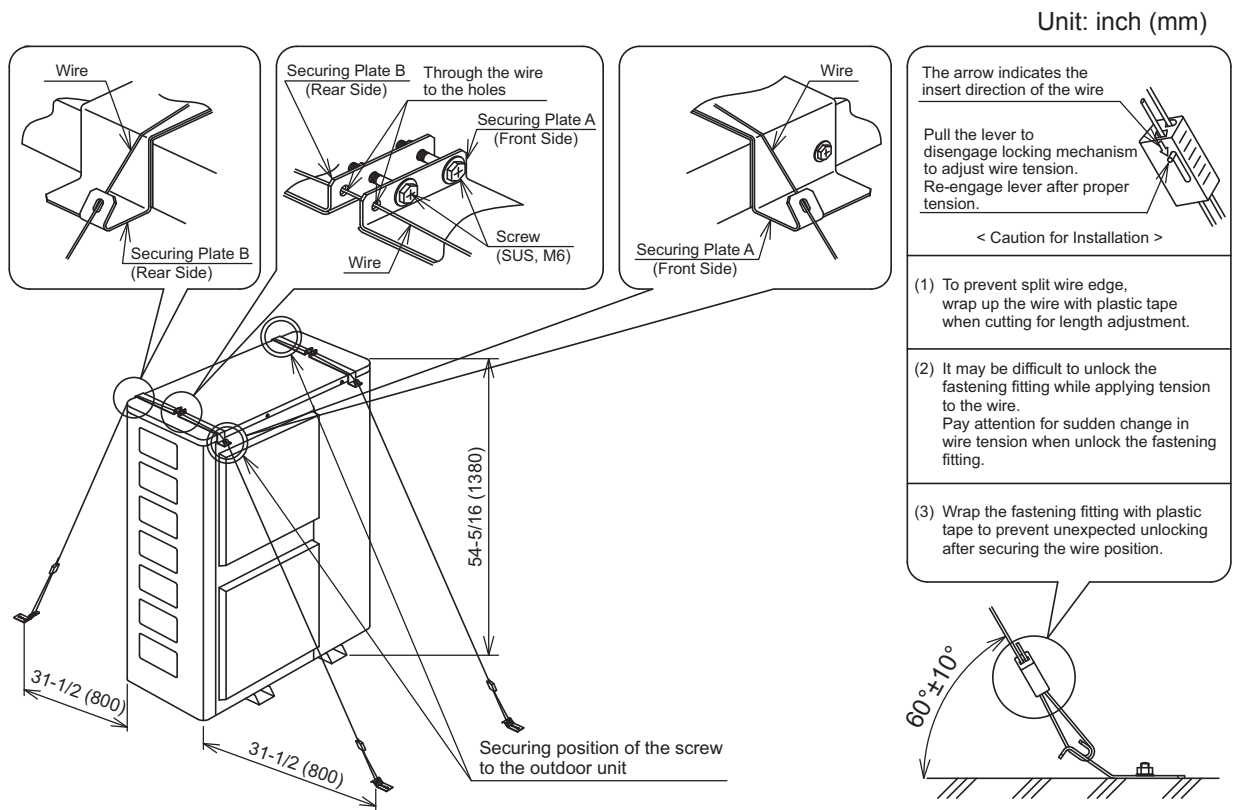
- (5) Attach the securing plate A (①) to the right front side of the outdoor unit top cover with two screws (⑦) at the joint of securing plate B.



CAUTION

Do not apply excessive force when tightening the screws. It may keep the service cover from opening.

- (6) Place the wire through the hole on the securing plate A and securing plate B.
Adjust the wire securing position to an angle of $60^\circ \pm 10^\circ$ to the ground. Then secure with securing plate C.



CAUTION

After securing the wire position, apply plastic tape, etc. prominently to prevent an accident by contact.

WARNING

Make sure to adjust the wire securing position to the angle of $60^\circ \pm 10^\circ$ to maintain retention. Otherwise it may fall.