

# Installation Manual for Wind Guard (for Outdoor Unit)

Model: WSP-160A

This Wind Guard is to protect the outdoor unit from strong winds. For correct performance, be sure to read this manual carefully before installation work.

## **IMPORTANT NOTICE:**

- Johnson Controls pursues a policy of continuous improvement in design and performance of products. We reserve the right to vary specifications without notice.
- No part of this manual may be reproduced without Johnson Controls' written permission.
- Keep this manual for future reference.
- Johnson Controls cannot anticipate every possible circumstance that might involve a potential hazard.
- This kit is designed for a combination of Johnson Control air conditioners. Do not use this kit by itself or in combination with other companies' air conditioners.
- Perform a test run after installation to check for abnormalities.
- Signal words are used to identify levels of hazard seriousness. Definitions for identifying hazard levels are provided below with their respective signal words.



: Indicates a hazardous situation that, if not avoided, could result in death or serious injury.



: Indicates a hazardous situation that, if not avoided, could result in minor or moderate injury.

## **1. Applicable Unit**

Name	Wind Guard
Model	WSP-160A
Applicable Outdoor Unit	Side Flow Type 36,000 to 60,000 Btu/h

### **NOTE:**

The applicable outdoor unit may be different depending on the product series. Be sure to confirm with the product catalogue before installation.

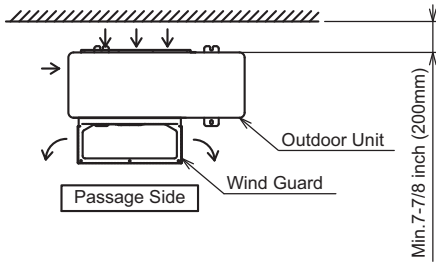
## **2. Cautions for Installation**

- (1) If the outdoor unit is installed in a snow covered area, install a Snow Protection Hood (other optional parts).
- (2) The air outlet side of the Wind Guard should be open. If some obstacles exist, it may block airflow or cause insufficient airflow.
- (3) Do not install other outdoor units in the air outlet direction. Other outdoor units will intake the outlet air from the Wind Guard.
- (4) The operation noise may be slightly increased due to the Wind Guard installation.
- (5) In case of icing at the air outlet part, use lukewarm water (approx. 104°F (40°C)) for melting.  
The Wind Guard may be damaged when using objects or tools to break the ice.

### 3. Service Space

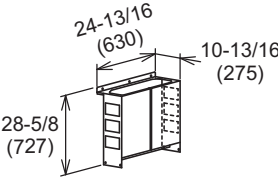
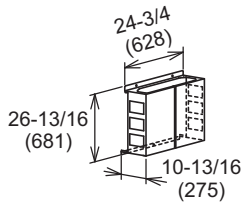
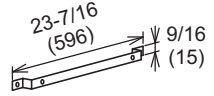
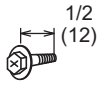
Service space for the Wind Guard installation is as shown below.

- (1) Both sides of the outdoor unit should be open.
- (2) No obstacles should exist in the air outlet side.



### 4. Before Installation

Check that all the following accessories are packed with the unit before installation.

No.	Accessory	Qty.	
		WSP-160A	
①	Wind Guard (Upper)		1
②	Wind Guard (Lower)		1
③	Securing Stay		1
④	Securing Screw	 M5 (with Washer)	14

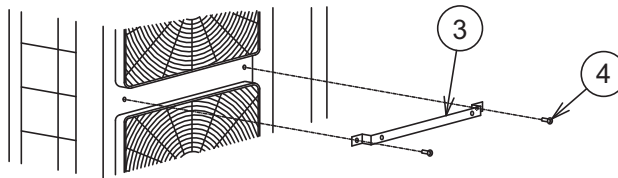
## 5. Installation Procedures

### **CAUTION**

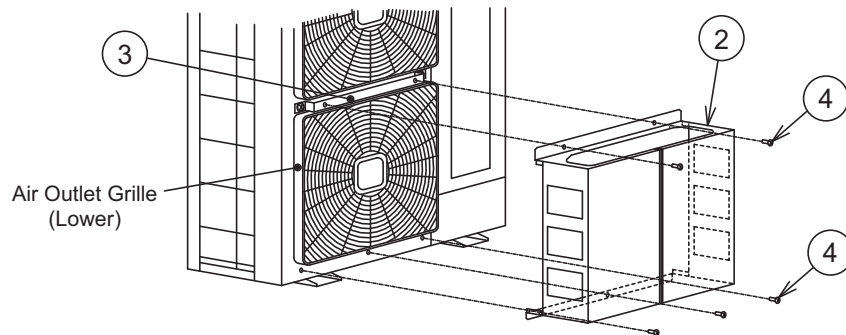
**Do not remove the air outlet grille for the Wind Guard installation. If the Wind Guard is installed without an air outlet grille, injury may be caused by fan rotation.**

After confirming the outdoor unit model, install the Wind Guard according to the following procedures.

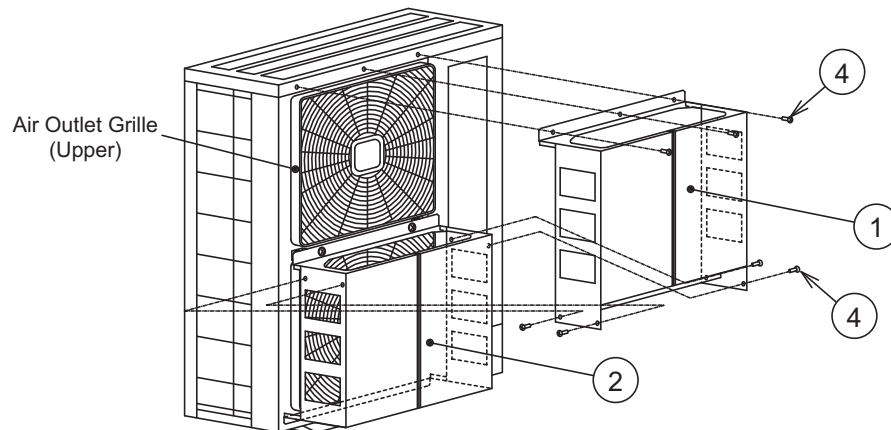
- (1) Attach the securing stay (3) into the two installation holes between the upper and lower air outlet grille with two securing screws (4) (accessories).



- (2) Remove the securing screws at the under side of the air outlet grille (lower) (3 places), then secure the Wind Guard (lower) (2) to the outdoor unit and the securing stay (3) with two securing screws (4).



- (3) Remove the securing screws at the upper side of the air outlet grille (upper) (3 places), then secure the Wind Guard (upper) (1) to the outdoor unit and the Wind Guard (lower) (2) with four securing screws (4).



# 6. Installation Appearance

