

Installation Manual for Airflow Guide (for Outdoor Unit)

Model: AG-335A

This optional Airflow Guide allows outlet airflow in four directions (up, down, left right) if there are obstacles in front of the outdoor unit. Be sure to read this manual carefully for correct performance before installation work.

IMPORTANT NOTICE:

- Johnson Controls pursues a policy of continuous improvement in design and performance of products. We reserve the right to vary specifications without notice.
- No part of this manual may be reproduced without Johnson Controls' written permission.
- Keep this manual for future reference.
- Johnson Controls cannot anticipate every possible circumstance that might involve a potential hazard.
- This kit is designed for a combination of Johnson Control air conditioners. Do not use this kit by itself or in combination with other companies' air conditioners.
- Perform a test run after installation to check for abnormalities.
- Signal words are used to identify levels of hazard seriousness. Definitions for identifying hazard levels are provided below with their respective signal words.



: Indicates a hazardous situation that, if not avoided, could result in death or serious injury.



: Indicates a hazardous situation that, if not avoided, could result in minor or moderate injury.

1. Applicable Unit

Name	Airflow Guide
Model	AG-335A
Required Qty.	2
Applicable Outdoor Unit	Side Flow Type 36,000 to 60,000 Btu/h

NOTE:

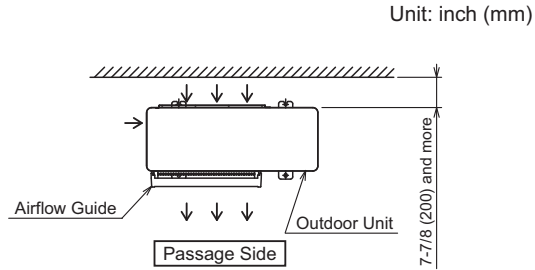
The applicable outdoor unit may be different depending on the product series. Be sure to confirm with the product catalogue before installation.

2. Notice for Installation

- (1) If the outdoor unit is installed in a snow covered area, install a Snow Protection Hood (other optional parts).
- (2) Do not place obstacles in the direction of airflow.
If there are obstacles, a short-circuit will occur or the airflow volume will decrease. Secure the appropriate service space according to the installation and maintenance manual of the outdoor unit.
- (3) For the left and right air outlets, do not install outdoor units side-by side. Another outdoor unit will suck the airflow from the Airflow Guide.
- (4) The operation noise is slightly increased by attaching an Airflow Guide.
- (5) In an instance of icing at the air outlet in cold areas, melt ice using lukewarm water (approx. 104°F (40°C)).
The Airflow Guide may be damaged when using objects or tools to break the ice.

3. Installation Space

- (1) When installing this Airflow Guide, maintain enough service space for outlet air according to the installation and maintenance manual of the outdoor unit.
- (2) For the left and right air outlets, maintain enough service space for outlet air.
- (3) When using the downward air outlet, set the pedestal etc., at the lower side of the outdoor unit in order to maintain enough service space.
- (4) If multiple outdoor units are installed alongside each other, the upward air outlet should be utilized.



4. Before Installation

Check that all the following accessories are packed with the unit before installation.

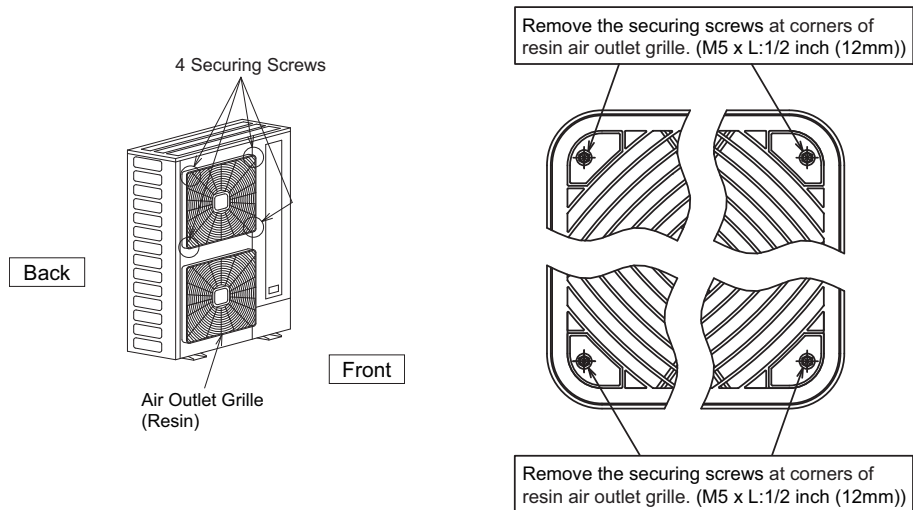
Unit: inch (mm)

No.	Accessory		Quantity	Remarks
			AG-335A	
①	Airflow Guide		1	-
②	Securing Screw	 M5 (with Washer)	4	-

5. Installation

Perform the installation work for the Airflow Guide using the following procedures after checking the outdoor unit model.

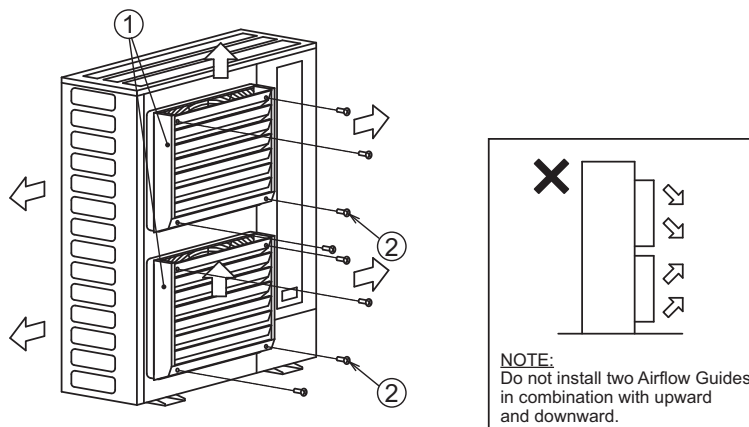
- (1) To attach the Airflow Guide, remove the four securing screws at the corners of the resin air outlet grille.



CAUTION

- Do not attach the Airflow Guide without an air outlet grille. If the air outlet grille is removed, there is a danger of the fan touching rotating parts.
- When removing the securing screws, be sure to hold the air outlet grille by hand. If not, the unit may fall leading to breakage and injuries.

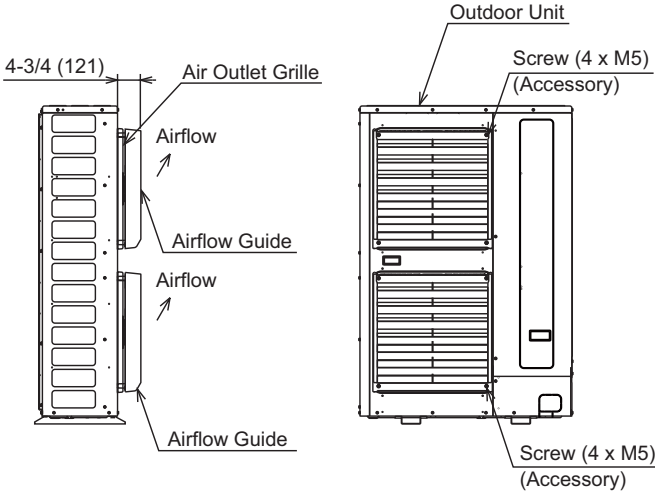
- (2) Secure the Airflow Guide (①) together with the air outlet grille with four securing screws (②).



Air outlet direction can be arranged in the direction of the arrow. (Upward, Left or Right)
Two Airflow Guides should be pointing in the same air outlet direction.

6. Dimensional Data

Unit: inch (mm)



NOTE:

Two Airflow Guides should be pointing in the same air outlet direction.

