

Installation Manual for Protection Net (for Left Side Installation of Outdoor Unit)

Model: PN-TP20L

This protection net is to protect the outdoor unit heat exchanger from external damages such as being hit by a ball. Install it following the directions below.

IMPORTANT NOTICE:

- Read and understand this manual before using this protection net.
- Perform the test run after installation to check for abnormalities.
- Forward this information to the building owner and request that they maintain all the equipment manuals.
- Signal words are used to identify levels of hazard seriousness.
Definitions for identifying hazard levels are provided below with their respective signal words.



: Indicates a hazardous situation that, if not avoided, could result in minor or moderate injury.

1. Applicable Unit

NOTICE:

The applicable outdoor unit may be different depending on the product series. Be sure to confirm with the product catalog before installation.

Name	Protection Net (for Left Side Installation)
Model	PN-TP20L
Required Qty.	1
Applicable Outdoor Unit (Representative Model)	(H,Y)VAH(P,R)072B32S (H,Y)VAH(P,R)072B42S (H,Y)VAH(P,R)072B52S

2. Installation Work

- (1) Be sure to securely tighten the protection net with the supplied screws (accessories).
If the screws are not securely tightened, it may cause vibration or abnormal sound.
If they are over-tightened, the screw threads may be stripped. When tightening the screws, make sure to follow the tightening torque below.
 - Tightening Torque: 1.5±0.4 ft•lbs (2.0±0.5 N•m)
- (2) Secure enough service space with consideration for attaching/detaching the protection net.
 - Service Space with Protection Net: Service Space for Outdoor Unit + Min. 5-7/8 inch (150mm)
- (3) Do not step on the protection net or the outdoor unit to prevent falls and injury.
- (4) Fallen leaves or other debris may be caught by the protection net and cause airflow restrictions.
Be sure to check for accumulation and clean the protection net periodically.
- (5) The protection net may accumulate ice or snow during cold weather.

NOTICE:

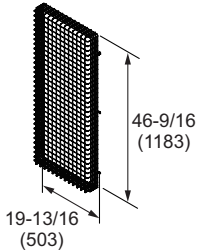
Do not use the snow protection hood for the left side inlet if the protection net is installed.

3. Before Installation

Check that all the following accessories are packed with the unit before installation.

No.	Accessory	Qty.		Remarks
		PN-TP20L		
①	Protection Net (for Left Side Installation)	1		

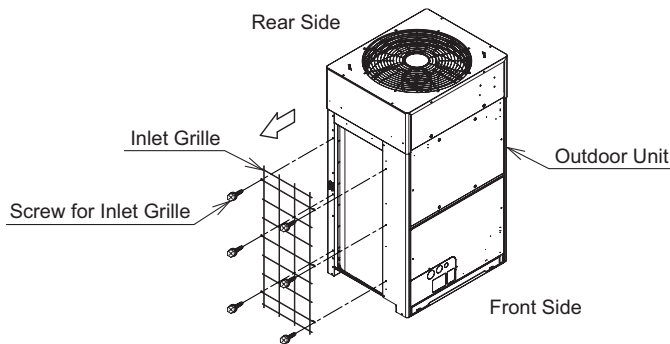
Unit: inch (mm)



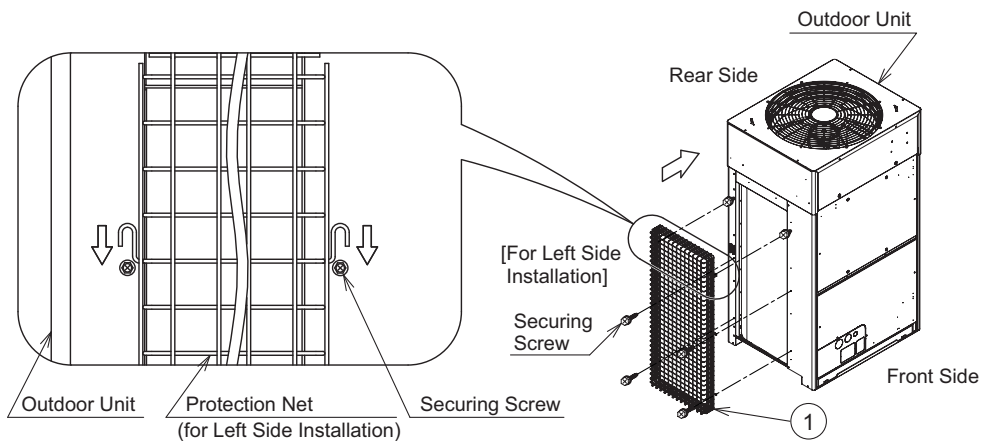
4. Installation Procedures

Before installation, confirm the outdoor unit model. If the protection net is available for your model, follow the installation procedures.

- (1) Remove the inlet grille (for left side) from the unit. (Removed Screws: Qty. six)

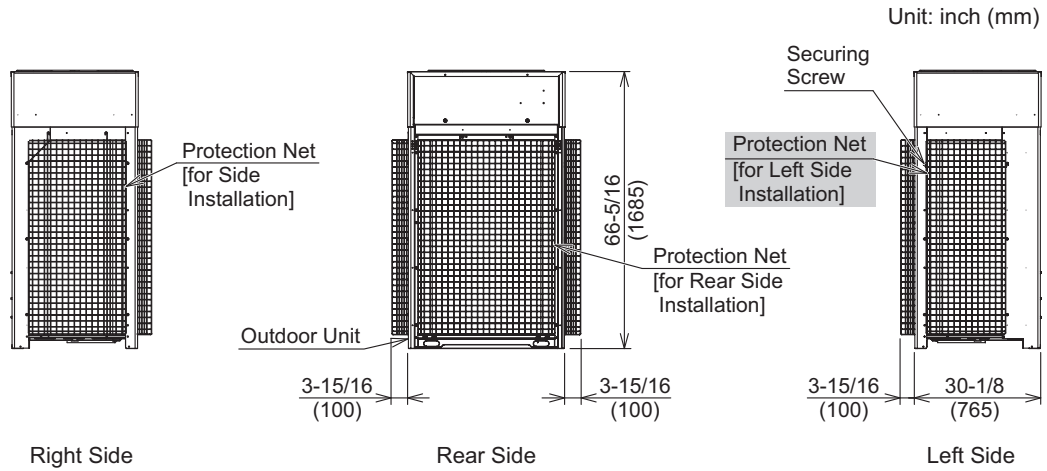


- (2) Insert the two screws removed from step (1) at the top of the outdoor unit left side but do not tighten. Hook the protection net (for left side installation) ① over the two screws. Securely tighten the other four screws removed from step (1). Finally, tighten the top two screws completely.



5. Installation Appearance

The following examples illustrate a small cabinet.



Available Combinations

Applicable Outdoor Unit (Representative Model)	Model		
	(H,Y)VAH(P,R)072B32S (H,Y)VAH(P,R)072B42S (H,Y)VAH(P,R)072B52S	(H,Y)VAH(P,R)096 - 144B32S (H,Y)VAH(P,R)096 - 144B42S (H,Y)VAH(P,R)096 - 144B52S	(H,Y)VAH(P,R)168, 192B32S (H,Y)VAH(P,R)168, 192B42S (H,Y)VAH(P,R)168, 192B52S
Protection Net for Rear Side	PN-TP20BA	PN-TP20BB	PN-TP20BC
Protection Net for Left Side	PN-TP20L	PN-TP20R	
Protection Net for Right Side	PN-TP20R		

NOTICE:

- This manual applies only to the combination indicated with .
For other protection net options, refer to each model's installation manual.
- Install the required protection net only if all installation requirements can be met.

