

Installation Manual for Snow Protection Hood (for Outdoor Unit)

Model: ASG-TP50BCS

This snow protection hood prevents snow from entering the outdoor unit and prevents strong winds from blowing against the heat exchanger. Be sure to read this manual carefully for correct performance before installation work.

IMPORTANT NOTICE:

- Johnson Controls-Hitachi Air Conditioning pursues a policy of continuous improvement in design and performance of products.
We reserve the right to vary specifications without notice.
- Johnson Controls-Hitachi Air Conditioning cannot anticipate every possible circumstance that might involve a potential hazard.
- No part of this manual may be reproduced without Johnson Controls-Hitachi Air Conditioning' written permission.
- Keep this manual for future reference.
- Do not use this kit by itself or in combination with other companies' air conditioners. This kit is designed for a combination of Johnson Controls-Hitachi Air Conditioning air conditioners only.
- Use the field-supplied safety wire rope to prevent outdoor unit from overturning. Use a stay or safety wire rope to hold the snow protection hood properly to the outdoor unit against a strong wind or earthquake, for reinforced installation.
- Perform a test run after installation to check for abnormalities.
- Use signal words to identify levels of hazard seriousness. Definitions for identifying hazard levels are provided below with their respective signal words.



: Indicates a hazardous situation that, if not avoided, could result in death or serious injury.



: Indicates a hazardous situation that, if not avoided, could result in minor or moderate injury.

1. Applicable Unit

NOTICE:

The applicable outdoor unit may be different depending on the product series. Be sure to confirm with the product catalogue before installation.

Name	Hood for Rear Side Air Inlet
Model	ASG-TP50BCS
Applicable Outdoor Unit (Representative Model)	(H,Y)VAH(P,R)168, 192B32S (H,Y)VAH(P,R)168, 192B42S (H,Y)VAH(P,R)168, 192B52S

2. Installation Work

- (1) After the snow protection hood is installed, noise at the air outlet side may slightly increase. Consider carefully the air discharge direction when installing.
- (2) Tighten the snow protection hood securely to the top panel and side panel of the outdoor unit with the supplied screws (accessories). Not doing so may cause vibration or abnormal noise.
- (3) Avoid obstacles in the direction of air discharge from the snow protection hood to prevent short circuit or a reduction in the airflow rate.
- (4) Do not install other outdoor units in the direction of the air outlet. If the air blown out of the snow protection hood is sucked into the other outdoor unit, it may cause a malfunction of the unit.
- (5) Double-check the strength of the anchor bolts of the outdoor unit. The wind loads on the outdoor unit change by attaching the snow protection hood. The required installation strength also changes in strong wind.
- (6) After installing the snow protection hood, cooling/heating performance may be slightly affected depending on usage.

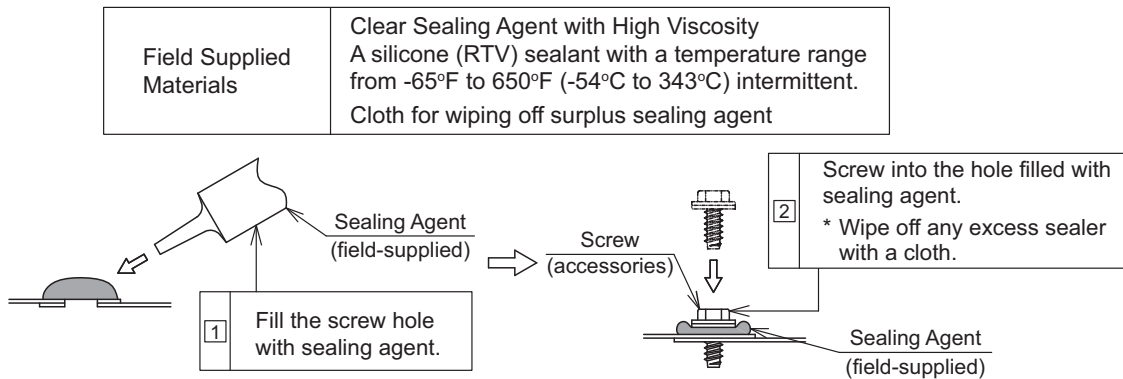
⚠ WARNING

To hold the snow protection hood properly to the outdoor unit against a strong wind or an earthquake, use safety wire rope reinforced installation and to prevent the outdoor unit from overturning.

⚠ CAUTION

- Install the snow protection hood to avoid direct facing the seasonal or strong wind.
- Protect the screws and the snow protection hood from scratches or scrapes that may cause rust. Handle with care the snow protection hood during assembly and installation.
- Apply touch-up coating or sealing (field-supplied) at the screw holes of the outdoor unit in order to prevent rusting.
- Even though the hood is stainless, salt or iron may cause rust. Be aware of this during installation or maintenance.
- The snow protection hood is heavy-weight. More than two people are required for installation. Be sure to wear personal protective equipment (PPE).

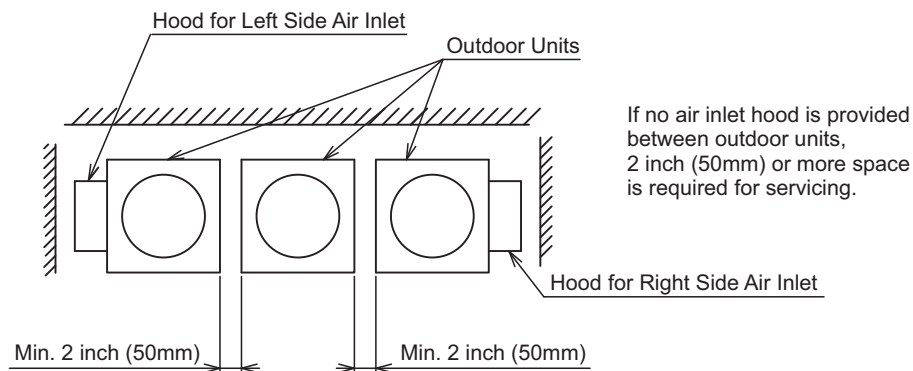
Sealing Procedures (Example)



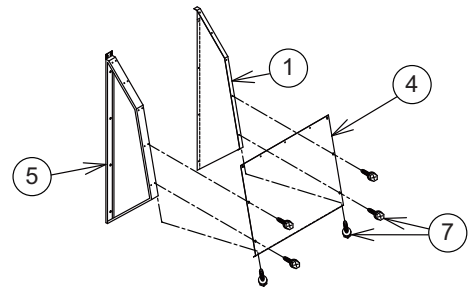
3. Selection of Installation Location

- (1) Install the outdoor unit at the suitable height in consideration of snow accumulation. Increase the base height or additionally provide the frame under the unit (higher than snow accumulation), and secure the outdoor unit securely with anchor bolts.
- (2) Install the unit at location where fallen snow from the building does not hit.
- (3) Ensure adequate service space in consideration of snow accumulation height and snow removal operation.
- (4) Clear away any obstacles. There must be no obstacles in the air discharge direction.
- (5) When installing multiple outdoor units, provide service space as shown below.

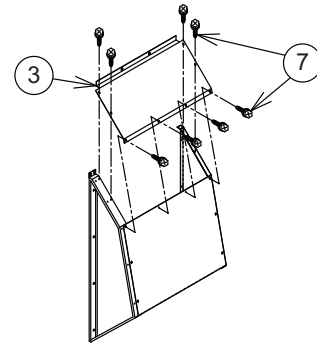
Service Space for Multiple Outdoor Units Installation



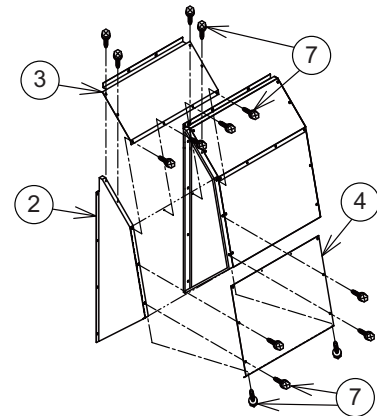
- (2) Assemble the faceplate for the bottom side (④) with the right side plate (①) and center support (⑤), and tighten by using six assembly screws (⑦).



- (3) Secure the faceplate for the top side (③) by tightening with eight assembly screws (⑦).

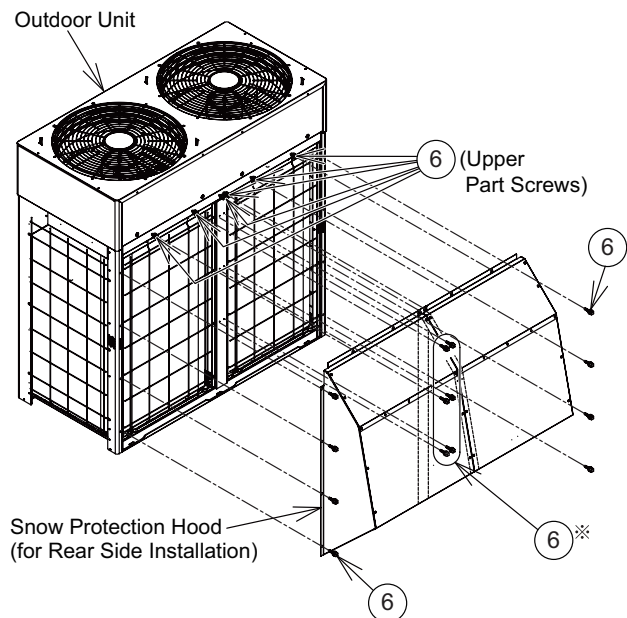


- (4) Secure the faceplate for the bottom side (④) then the faceplate for the top side (③) between the assembled parts from step (3) and the left side plate (②), and tighten by using the assembly screws (⑦).



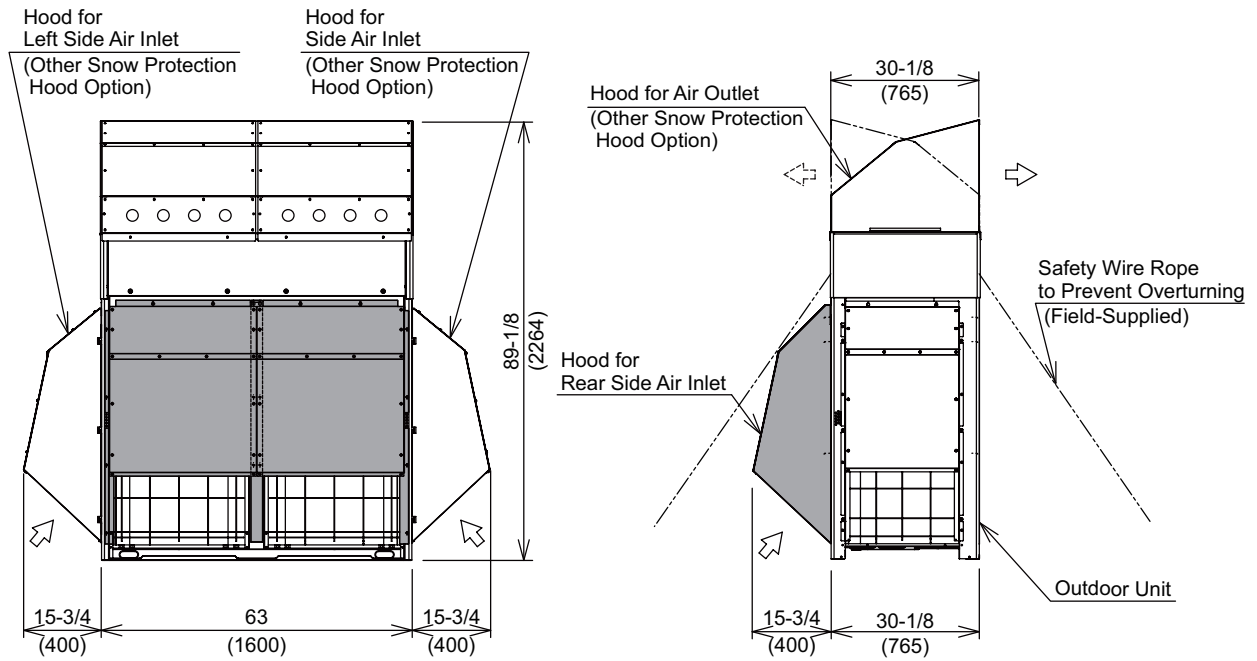
- (5) Tighten the installation screws (⑥) into the holes made at part (P) (six places) in step (1) but not the all way down. After hooking the snow protection hood (for rear side installation), securely tighten the other eight installation screws (⑥) and the other six places for center stay using installation screws (⑥). Finally, securely tighten the upper six screws.

※ Use a stubby screwdriver or other appropriate tool to tighten the center stay screws located in the narrow space.



6. Installation Appearance

Unit: inch (mm)



Available Combinations

Applicable Outdoor Unit (Representative Model)	Model
	(H,Y)VAH(P,R)168, 192B32S (H,Y)VAH(P,R)168, 192B42S (H,Y)VAH(P,R)168, 192B52S
Hood for Air Outlet	ASG-TP50FCS
Hood for Rear Side Air Inlet	ASG-TP50BCS
Hood for Left Side Air Inlet	ASG-TP50RS
Hood for Right Side Air Inlet	ASG-TP50RS

NOTICE:

This manual applies only to the combination indicated with .
For other snow protection hood options, refer to each installation manual.

7. Maintenance and Servicing

Even if during the warranty period, the snow protection hood becomes rusted under conditions that are caused by alkaline or corrosive moisture, it is recommended to provide salt damage resistance products to prevent such damage.

In order to prolong the product life, perform periodical maintenance to prevent significant aging due to deterioration. Perform the following tasks as part of routine preventative maintenance for the equipment.

(1) Red Rust Generation Check

If red rust is generated, scour the rust off.

(2) Retighten installation and assembly screws.

Check for loose screws and retighten when inspection and maintenance is performed. In order to prevent screw breakage, be sure to tighten to the following torque specifications:

* M5 Tapping Screw Type C for Assembling ⑦: 2.6 ± 0.7 [lbf-ft] (3.5 ± 1.0 [N•m])

* M5 Tapping Screw Type B for Installation ⑥: 1.8 ± 0.7 [lbf-ft] (2.5 ± 1.0 [N•m])

