

SERVICE PARTS LIST for Floor Exposed Type and Floor Concealed Type

MODEL: (H,Y,C)IFE006B21S, (H,Y,C)IFE008B21S,
 (H,Y,C)IFE012B21S, (H,Y,C)IFE015B21S,
 (H,Y,C)IFC006B21S, (H,Y,C)IFC008B21S,
 (H,Y,C)IFC012B21S, (H,Y,C)IFC015B21S

(P0153x-01)

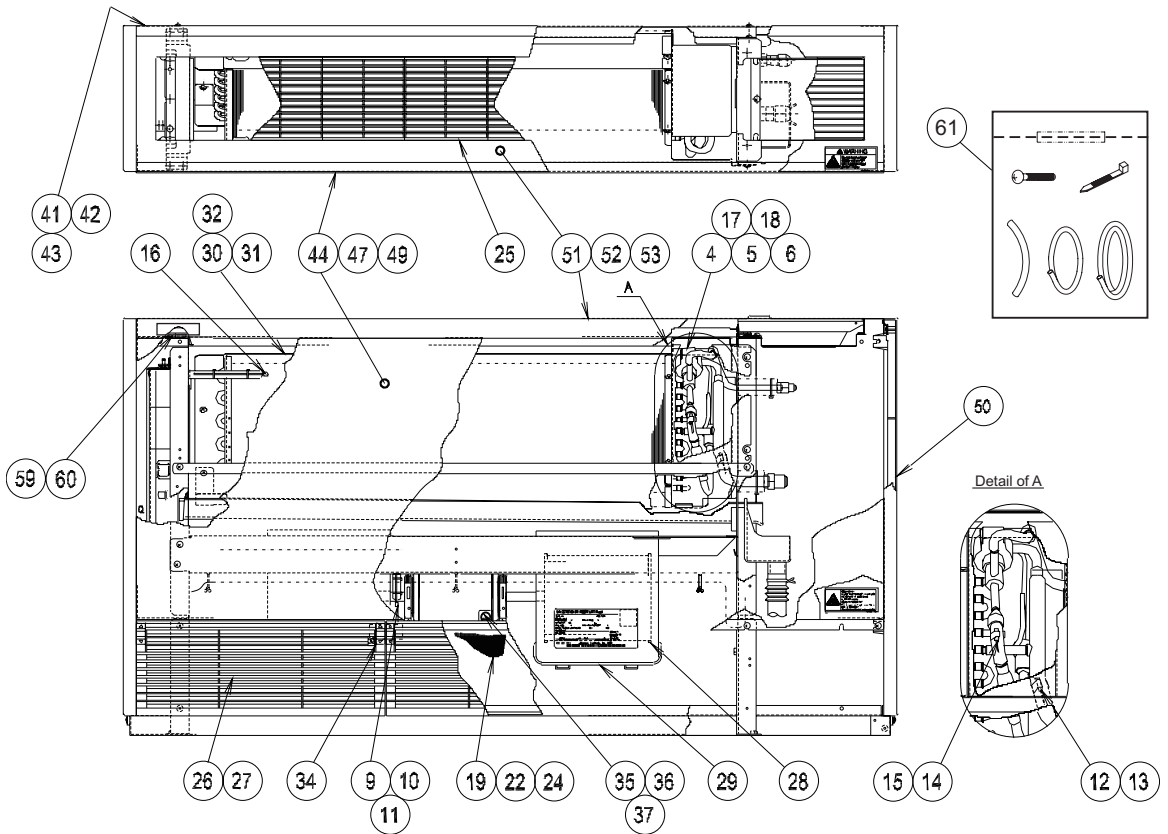
					Voltage								
					208/230V, 60Hz								
No.	Part Name	Replacement Part		Remarks	Q'ty Per Unit								
		Draw. No.	Part No.		(H,Y,C)IFE006B21S	(H,Y,C)IFE008B21S	(H,Y,C)IFE012B21S	(H,Y,C)IFE015B21S	(H,Y,C)IFC006B21S	(H,Y,C)IFC008B21S	(H,Y,C)IFC012B21S	(H,Y,C)IFC015B21S	
1	Terminal Block	17B42182D	P29148	TB2	1	1	1	1	1	1	1	1	1
2	Terminal Block	X17B43724A	E04644	TB1	1	1	1	1	1	1	1	1	1
3	Earth Screw	17H28092A	-		1	1	1	1	1	1	1	1	1
4	Exp. Valve Cord	XEK25322A	E04593		1	1			1	1			
5	Exp. Valve Cord	XEK25322B	E04594				1				1		
6	Exp. Valve Cord	XEK25322C	E04595					1					1
7	Capacitor	XEK21680D	E01005	2.0μF	1	1	1		1	1	1		
8	Capacitor	XEK21680F	E01007	3.0μF				1					1
9	Thermistor	17B24598B	P25234	for Air Inlet, THM1	1	1			1	1			
10	Thermistor	17B24598D	P24049	for Air Inlet, THM1			1					1	
11	Thermistor	17B24598F	P28745	for Air Inlet, THM1				1					1
12	Thermistor	17C74419E	P27498	for Gas Pipe, THM5	1	1	1		1	1	1		
13	Thermistor	17B24596L	P24732	for Gas Pipe, THM5				1					1
14	Thermistor	17C74419C	P24030	for Freeze Protection, THM3	1	1	1		1	1	1		
15	Thermistor	17B24596D	P24731	for Freeze Protection, THM3				1					1
16	Thermistor	17B24544N	P23317	for Air Outlet, THM2	1	1	1	1	1	1	1	1	1
17	Expansion Valve	17F04391A	P28701		1	1	1	1	1	1	1	1	1
18	Expansion Valve Coil	17F04390A	P29142		1	1	1	1	1	1	1	1	1
19	Air Filter	XEK39748A	E00582		1	1							
20	Air Filter	XEK39749A	E00584						1	1			
21	Air Filter	XEK39749B	E00585								1		
22	Air Filter	XEK39748C	E00861					1					
23	Air Filter	XEK39749C	E00860										1
24	Air Filter	XEK39748B	E00583				1						
25	D Grille	XEK21264A	E00848	Air Outlet	6	6	7	9					
26	Air Inlet Grille	XEK31991A	E00869	Air Inlet	4	4		1					
27	Air Inlet Grille	XEK31991B	E00870	Air Inlet			3	3					
28	Runner	17B08968A	P16834		1	1	2	2	1	1	2	2	
29	Fan Casing	X17B14397A	E04602		1	1	2	2	1	1	2	2	
30	Heat Exchanger	XEK12531A	E04596		1	1			1	1			
31	Heat Exchanger	XEK12531B	E04597				1				1		
32	Heat Exchanger	XEK12530A	E04598					1					1
33	Spacer	XEK30992B	E04603	for Fixing PCB1, PCB2	8	8	8	8	8	8	8	8	8
34	Grille Knob	XEK21265A	E00868		8	8	6	8					
35	Fan Motor	XEK10893A	E00857	20W	1	1			1	1			
36	Fan Motor	XEK10890A	E00858	45W				1					1
37	Fan Motor	XEK10977A	E00859	28W			1					1	
38	Transformer	X17B42533A	E04643		1	1	1	1	1	1	1	1	1
39	Printed Circuit Board	17H15588G	P30814	for PCB1 (PI065)	1	1	1	1	1	1	1	1	1
40	Relay PCB	17G49967A	P23888	for PCB2 (PI005)	1	1	1	1	1	1	1	1	1
41	Back Cover Assy	XEK22935A	E01778		1	1			1	1			
42	Back Cover Assy	XEK22935B	E01779				1					1	
43	Back Cover Assy	XEK22935C	E01780					1					1
44	Front Cover Assy	XEK32345A	E00865		1	1							
45	Front Cover Assy	XEK39293A	E00862						1	1			
46	Front Cover Assy	XEK39293B	E00863										1

NOTE:

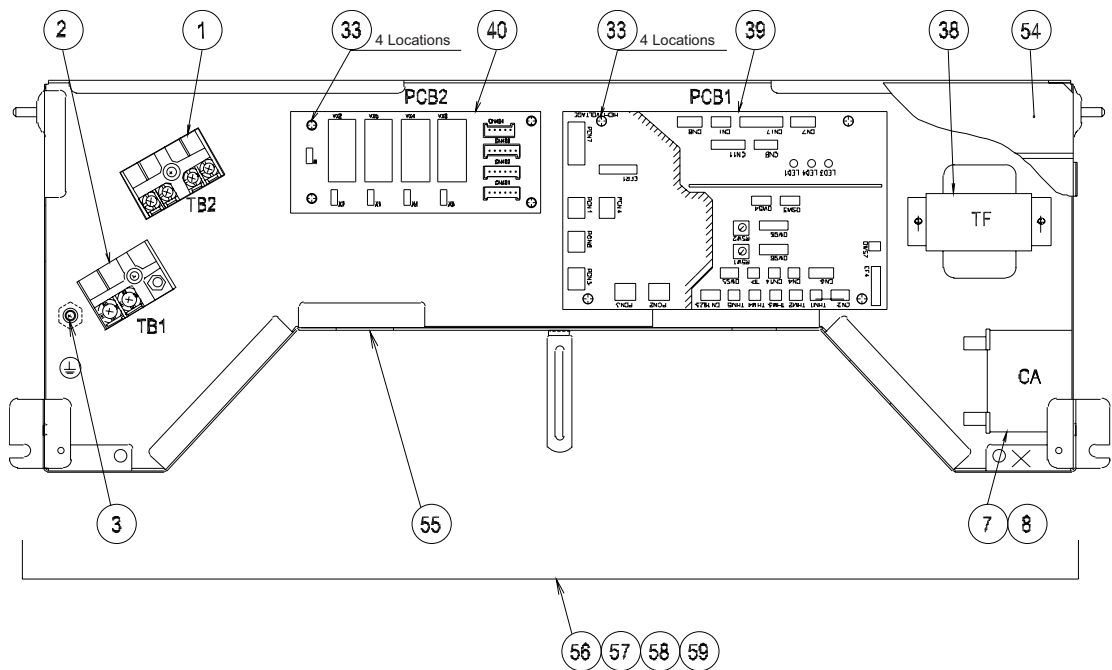
The parts without order number are the custom-ordered, and these are not mentioned in the price list. When ordering them, the part name and the drawing number are required.
 Contact your distributor for the delivery date and price of parts.

LOCATION OF SERVICE PARTS IN THE UNIT for Floor Exposed Type

MODEL: (H,Y,C)IFE006B21S
 (H,Y,C)IFE008B21S
 (H,Y,C)IFE012B21S
 (H,Y,C)IFE015B21S



LOCATION OF ELECTRICAL EQUIPMENT IN THE ELECTRICAL BOX CONTROL

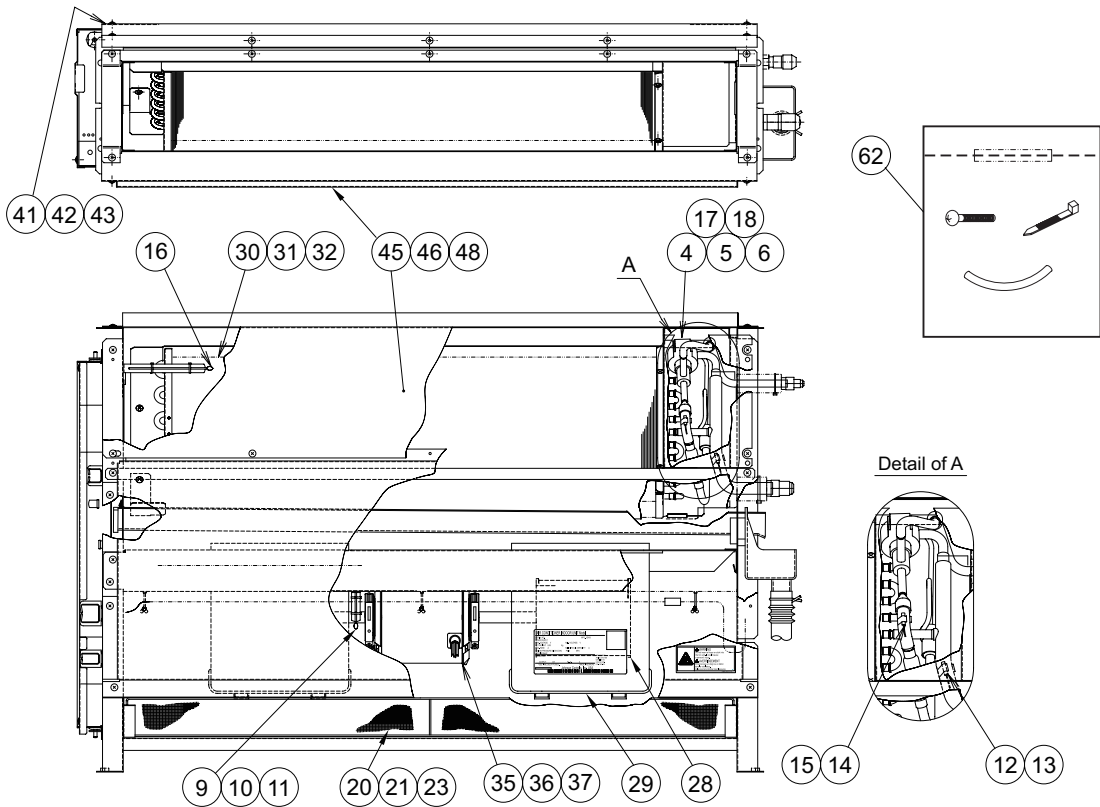


NOTE:

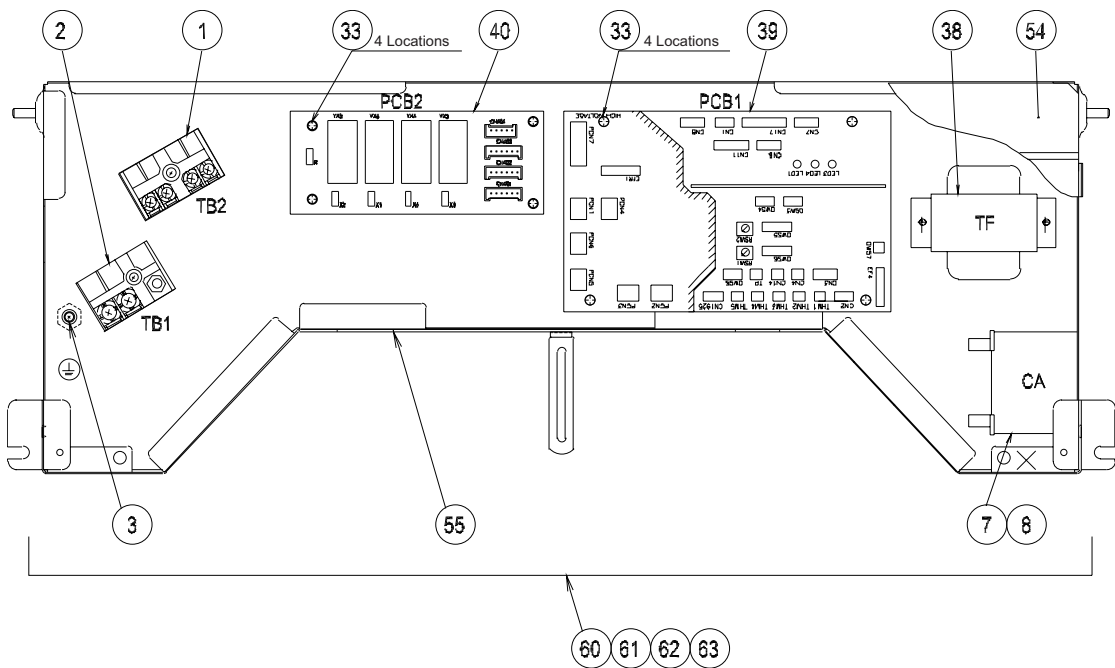
The parts without order number are the custom-ordered, and these are not mentioned in the price list. When ordering them, the part name and the drawing number are required.
 Contact your distributor for the delivery date and price of parts.

LOCATION OF SERVICE PARTS IN THE UNIT for Floor Concealed Type

MODEL: (H,Y,C)IFC006B21S
 (H,Y,C)IFC008B21S
 (H,Y,C)IFC012B21S
 (H,Y,C)IFC015B21S



LOCATION OF ELECTRICAL EQUIPMENT IN THE ELECTRICAL BOX CONTROL



NOTE:

The parts without order number are the custom-ordered, and these are not mentioned in the price list. When ordering them, the part name and the drawing number are required.
 Contact your distributor for the delivery date and price of parts.