

SERVICE PARTS LIST for Mini Cassette

MODEL: (H,Y,C)ICM008B21S, (H,Y,C)ICM012B21S,
(H,Y,C)ICM015B21S, (H,Y,C)ICM018B21S

(P0152x-03)

					Voltage			
					208/230V, 60Hz			
No.	Part Name	Replacement Part		Remarks	Q'ty Per Unit			
		Draw. No.	Part No.		(H,Y,C)ICM008B21S	(H,Y,C)ICM012B21S	(H,Y,C)ICM015B21S	(H,Y,C)ICM018B21S
1	Drain Hose Assy	17H28295A	P30724		1	1	1	1
2	Pump Assy	17H17342C	P30792	Drain Discharge Mechanism	1	1	1	1
3	Float Switch Assy	17H12815D	P30725		1	1	1	1
4	Heat Exchanger Assy	17B47270A	P30727	No.5 Expansion Valve x 1, No.35 Flare Nut x 1	1	1		
		17B47271A	P30728				1	
		17B47271B	P30729					1
5	Expansion Valve	17F04391A	P28701		1	1	1	
		17F04392A	P28702					1
6	Motor for EXPV.	17F04390A	P29142		1	1	1	1
7	Support Plate	17H28059A	P30730		1	1		
		17H28059B	P30731				1	1
8	Pipe Cover Assy	17H28366A	P30732		1	1	1	1
9	Wire Cover	17H28439A	P30757		1	1	1	1
10	Fan Motor	17B47346A	P30733	57W, No.11 Vibration Absorber x 3	1	1	1	1
11	Vibration Absorber	17H23117A	P30526		3	3	3	3
12	Nut	17H12116A	P28899		3	3	3	3
13	Turbo Fan	17A25035B	P30734		1	1	1	1
14	Nut	17F15706A	P30487		1	1	1	1
15	Drain Pan Assy	17B47312A	P30735	No.16 Antibacterial Agent Assy x 1, No.17 Rubber Cap x 1	1	1	1	1
16	Antibacterial Agent Assy	17H28298A	P30756		1	1	1	1
17	Rubber Cap	17G53386A	P28881		1	1	1	1
18	Clamp	17F03802A	P30755		1	1	1	1
19	Bell Mouth Assy	17H28456A	P30736		1	1	1	1
20	Guide Vane	17F16468A	P30536		6	6	4	4
21	Electrical Box Cover	17F17156A	P30737		1	1	1	1
22	Thermistor Assy	17H28460A	P30793	for Air Inlet, THM1	1	1	1	1
23	Thermistor Assy	17H28660A	P30794	for Air Outlet, THM2	1	1	1	1
24	Thermistor	17B42636C	P29764	for Freeze Protection, THM3	1	1	1	1
25	Thermistor	17B42635C	P29020	for Gas Pipe, THM5	1	1	1	1
26	Hose	17C78348A	P25911		1	1	1	1
27	Hose Clip	17C93558A	P28308		1	1	1	1
28	Electrical Box	17F17167B	P30740		1	1	1	1
29	PCB-S	17H27743C	P30718	PCB1 (PI143)	1	1	1	1
30	Fuse	17C90851A	P27957	EFR1, EFS1 : 5A	2	2	2	2
31	Spacer	17D81271B	P19516	for PCB1	3	3	3	3
32	Spacer	17H03506A	P28260	for PCB1	3	3	3	3
33	Terminal Block	17B46279C	P30741	TB1	1	1	1	1
34	Terminal Block	17B42182E	P30498	TB2	1	1	1	1
35	Flare Nut	17E20872C	R4226	φ12.7	1	1	1	
		17E20872D	R4227	φ15.88				1
36	Fan Guide 1	17F17266A	-		1	1	1	1
37	Fan Guide 2	17F17267A	-		1	1	1	1
38	Fan Guide 3	17F17268A	-		1	1	1	1
39	Fan Guide 4	17F17269A	-		1	1	1	1
40	Electrical Box Assy	17F17495A	-	include all THM	1	1	1	1
41	Accessory Kit	17H29378A	P30867	Set of accessories shipped with the unit. (Includes Insulation, Cable Clamp, etc.)	1	1	1	1

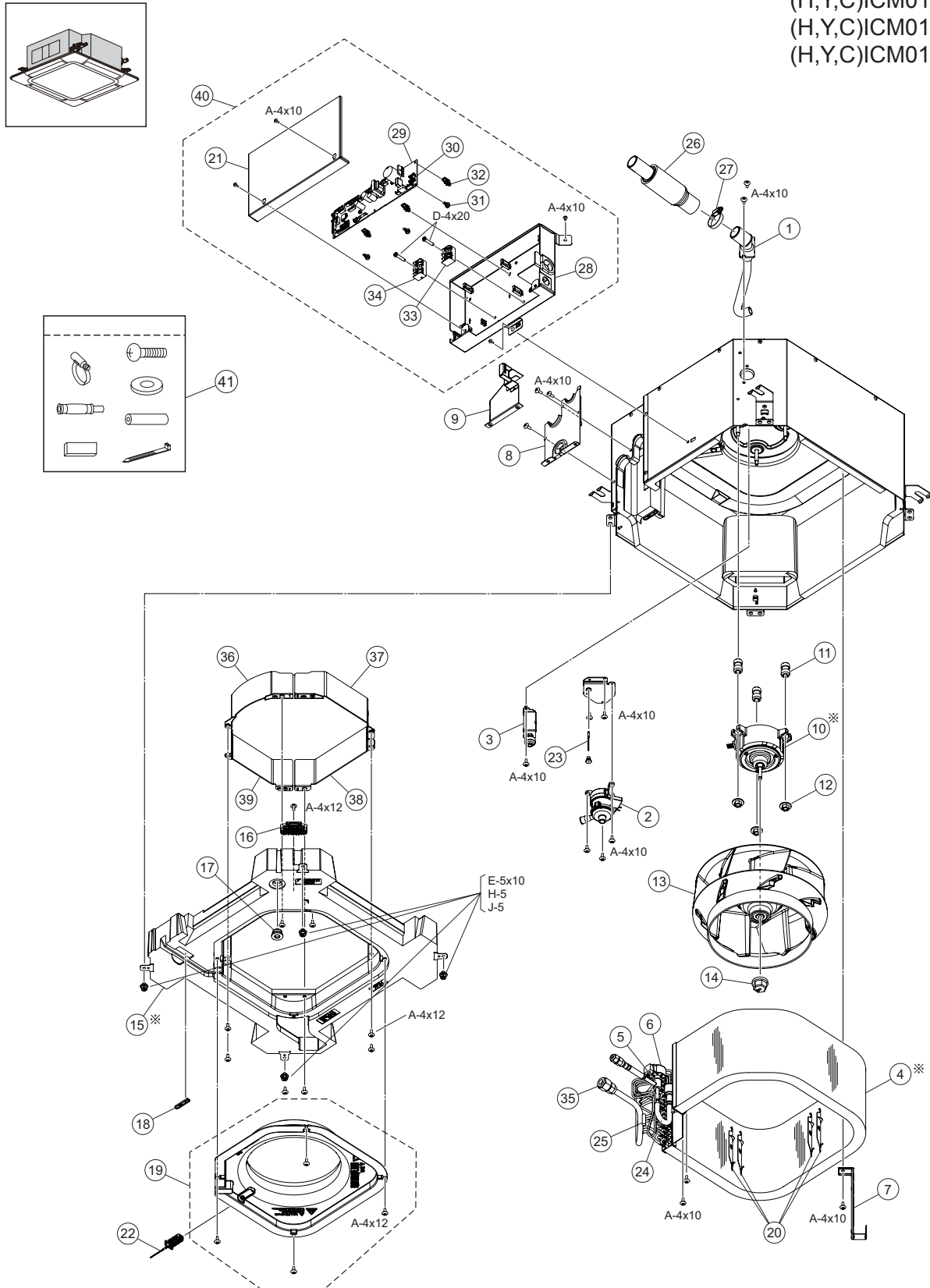
NOTE:

The parts without order number are the custom-ordered, and these are not mentioned in the price list. When ordering them, the part name and the drawing number are required.

Contact your distributor for the delivery date and price of parts.

LOCATION OF SERVICE PARTS IN THE UNIT for Mini Cassette

MODEL: (H,Y,C)ICM008B21S
 (H,Y,C)ICM012B21S
 (H,Y,C)ICM015B21S
 (H,Y,C)ICM018B21S



A	Truss Head Tapping Screw		F	Stud Bolt	
B	Round Head Screw		G	Nut	
C	Flat Head Screw		H	Washer	
D	Pan Head Tapping Screw		J	Spring Lock Washer	
E	Hexagon Head Bolt		K	Tooth Lock Washer	

NOTE:

A protective coating like zinc is applied to iron and steel for unspecified materials like a bolt or screw.

NOTE:

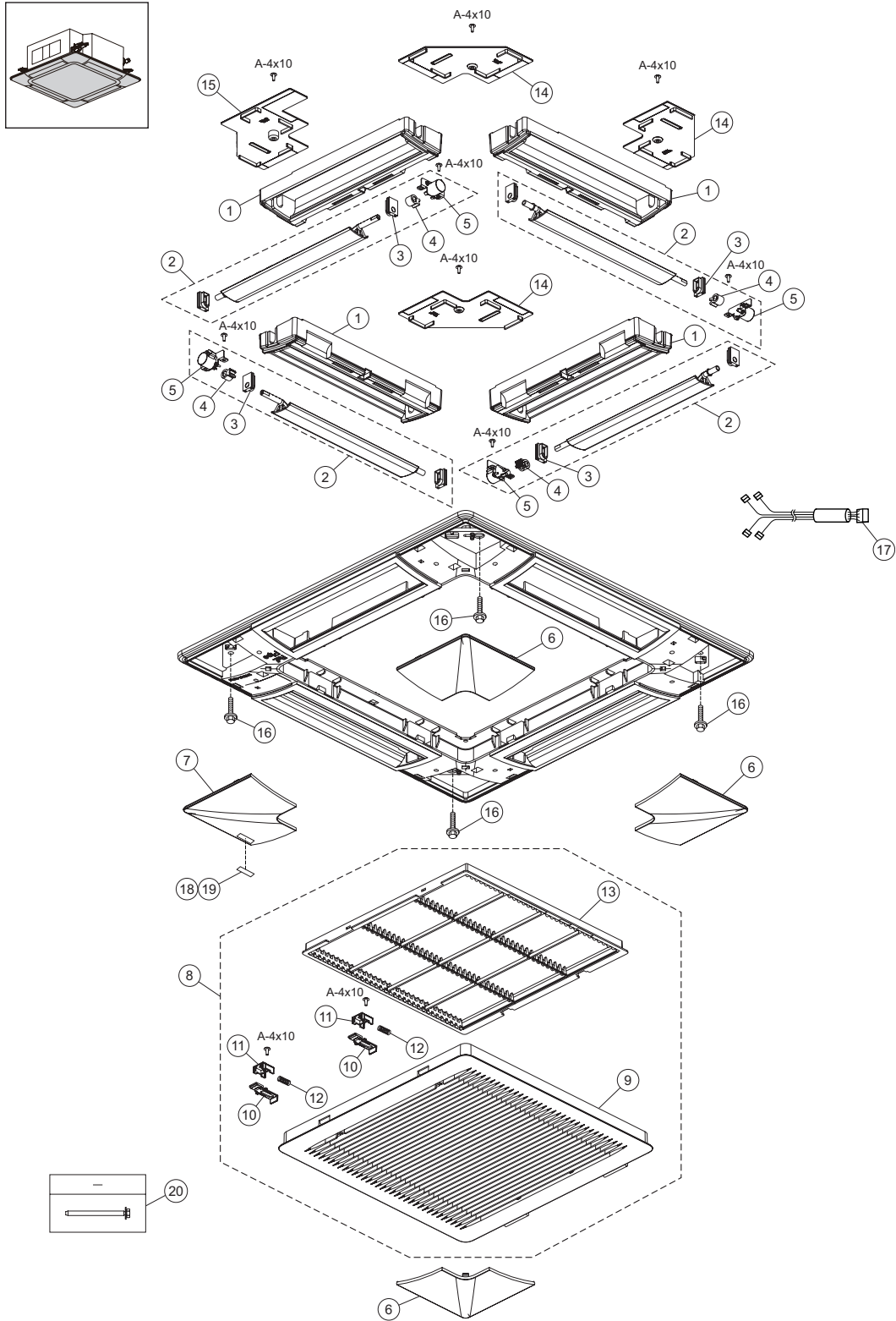
The parts without order number are the custom-ordered, and these are not mentioned in the price list. When ordering them, the part name and the drawing number are required.

Contact your distributor for the delivery date and price of parts.

LOCATION OF SERVICE PARTS IN THE UNIT for Mini Cassette

MODEL: P-AP56NAM

< Decorative Panel (Optional) >



A	Truss Head Tapping Screw		F	Stud Bolt	
B	Round Head Screw		G	Nut	
C	Flat Head Screw		H	Washer	
D	Pan Head Tapping Screw		J	Spring Lock Washer	
E	Hexagon Head Bolt		K	Tooth Lock Washer	

NOTE:

A protective coating like zinc is applied to iron and steel for unspecified materials like a bolt or screw.

NOTE:

The parts without order number are the custom-ordered, and these are not mentioned in the price list. When ordering them, the part name and the drawing number are required.

Contact your distributor for the delivery date and price of parts.