

SUBMITTAL DATA SHEET

(H,Y)VAHP240B52S	Consists of two (H,Y)VAHP120B52S modules	
Job Name:	Location:	
Purchaser:	Order No.:	
Engineer:	Construction:	
Submitted To:	Approval:	
Submitted By:	Date:	10 Ton + 10 Ton
Unit Designation:	Schedule No.:	

FEATURES:

- All Inverter Compressors deliver maximum efficiency at part load conditions and provide comfortable individual zone control.
- Large-capacity single outdoor modules (up to 16 Ton) increase flexibility, space and weight savings, and reduce piping and electrical connections.
- Design flexibility with long piping lengths up to 3,280 ft. total and up to 360 ft. vertical distance between Outdoor Units and Indoor Units
- Provide efficient heating down to -13°F and cooling down to 23°F ambient air temperature. (Cooling down to 23°F as standard and down to -10°F with accessories installed)
- Space efficient and lightweight – provides flexibility in system layout and installation
- Maintenance friendly design of Outdoor Unit – all components accessible from the front
- Priority Cooling Control option – prioritizes demand for cooling operation mode over heating operation mode.

ACCESSORIES: (for detailed information, see VRF Engineering Manual and separate documentation for each accessory)

- Piping Kit
- Snow Protection Hood
- Protection Net
- Pipe Adapter
- Low Ambient Kit

(Heat Pump 575V)

			20 Ton
Model	575V, 3PH, 60Hz		(H,Y)VAHP240B52S
Unit Combination	575V, 3PH, 60Hz		Unit A (H,Y)VAHP120B52S
			Unit B (H,Y)VAHP120B52S
Nominal Capacity	Cooling	Btu/h	240,000
	Heating	Btu/h	270,000
Performance *1 (Non-duct / Duct)	Rated Cooling Capacity	Btu/h	228,000
	EER	Btu/Wh	11.1 / 10.6
	IEER	Btu/Wh	20.8 / 21.0
	Rated Heating Capacity	Btu/h	258,000
	COP	WW	3.67 / 3.51
	Sound Pressure *3	dB(A)	66
Operating *2 Temperature Range	Cooling	°F DB [°C DB]	23 ~ 122 [-5 ~ 50]
	Heating	°F WB [°C WB]	-13 ~ 59 [-25 ~ 15]
Refrigerant	Type		R410A
	Factory Charge Amount (Unit A + Unit B)	lb. [kg]	21.8+21.8 [9.9+9.9]
Refrigerant Piping	Liquid Pipe	in. [mm]	3/4 [19.05]
	Gas Pipe	in. [mm]	1-3/8 [34.93]
Connection *2 Ratio	Connection Ratio Range	%	130(150) - 60
	Number of Indoor Units (Recommended / Maximum)	Qty.	18 / 52
Electrical	Minimum Circuit Amps, MCA (Unit A + Unit B)	A	19+19
	Maximum Overcurrent Protection, MOP (Unit A + Unit B)	A	25+25
Compressor	Compressor Type		Inverter
	Operation Range	%	4 ~ 100
Fan	Fan Type		Propeller Fan x4
	Airflow Rate (Unit A + Unit B)	cfm [m ³ /min]	9037+9037 [256+256]
	External Static Pressure *6	in. WG [Pa]	0 ~ 0.32 [0 ~ 80]
Unit	Dimensions (H x W x D)	in. [mm]	66-1/4 x 98-1/16 x 30-1/2 [1683 x 2490 x 774]
	Weight (Unit A + Unit B)	lb. [kg]	725+725 [329+329]

NOTES:

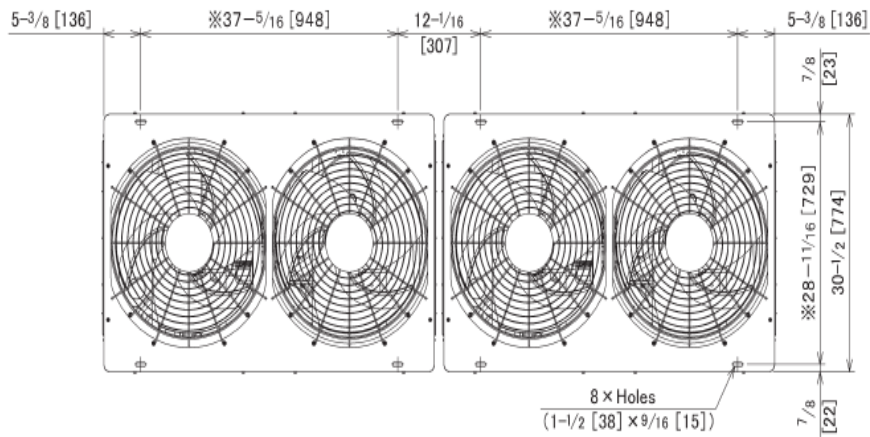
- *1. Capacity and efficiency ratings are based on the AHRI 1230 test standard.
- *2. For more details, refer to the engineering manual.
- *3. Sound pressure: 3.3 ft. [1 m] from the air outlet side, 4.9 ft. [1.5 m] from floor level.

version 201908

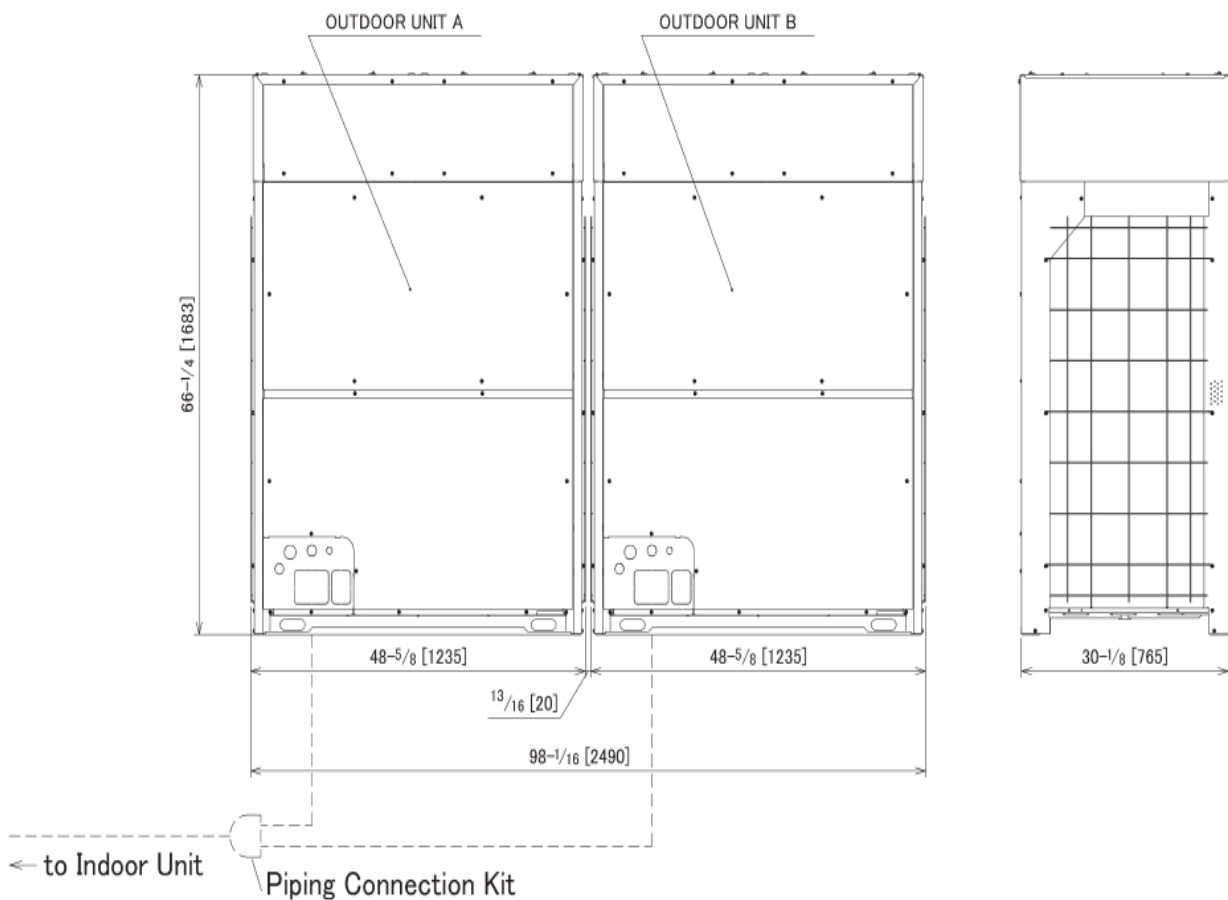
System Dimensions

Heat Pump Model: (Y,H)VAHP240B52S

Unit: inch (mm)



inch (mm)



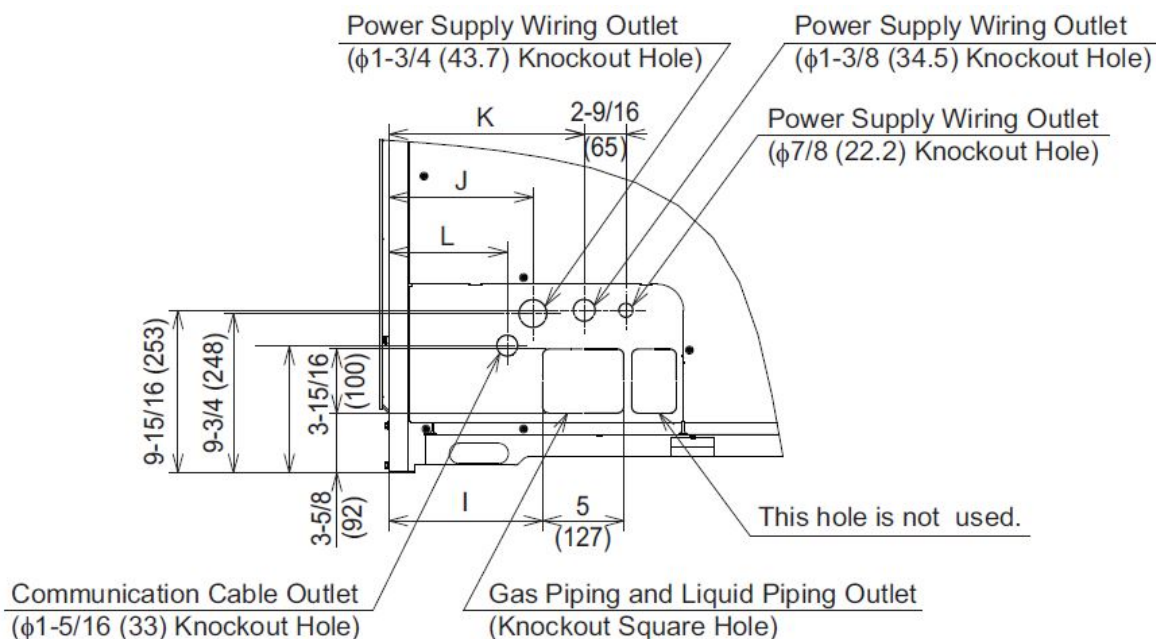
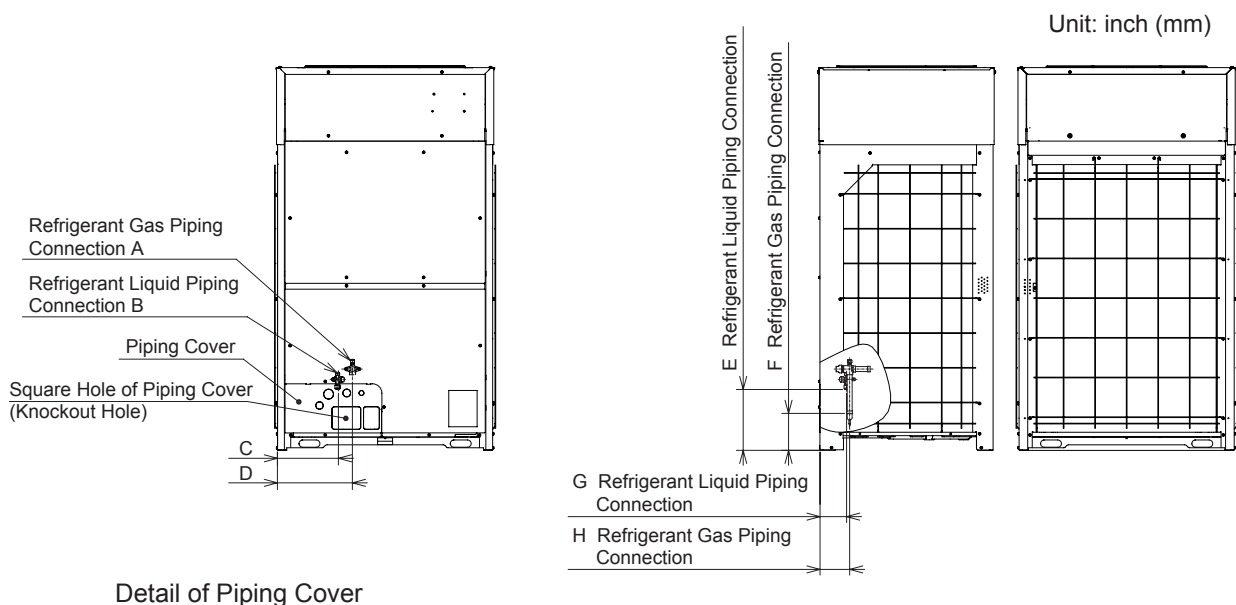
Outdoor Unit Model	Combination of Base Unit Models	
	OUTDOOR UNIT A	OUTDOOR UNIT B
(H,Y)VAHP240B52S	(H,Y)VAHP120B52S	(H,Y)VAHP120B52S

NOTES:

- Outdoor unit A is the Main unit and outdoor unit B is the Sub unit. The Main unit is closest in piping to the indoor unit.
- If outdoor modules have different capacities, the largest capacity unit will be outdoor unit A (Main) and outdoor unit B (Sub) will be the smallest capacity. $A \geq B$.
- Piping connection kits and piping sizes are identified in the "Installation Manual".
- The dimensions marked with an asterisk (*) indicate the mounting pitch dimensions for anchor bolts.
- This drawing shows that there is 13/16 inch [20mm] clearance between the outdoor units. If Snow Protection Hoods are installed on the outdoor units, a 2 inches [50mm] minimum clearance is required.
- Modifications to the anchoring locations for the outdoor units are required for applications with clearances greater than 13/16 inch [20mm] between outdoor modules.
- "Dimensional Drawing of Base Unit" is used for dimensions of the piping and wiring outlets.

version 201908

Piping Connection Dimensions



Refrigerant Piping Connection and Wiring Outlet

Model	Gas	Liquid	A	B	C	D	E	F	G	H	I	J	K	L
72	$\phi 7/8$ (22.2)	$\phi 1/2$ (12.7)	$\phi 7/8$ (22.2)	$\phi 3/8$ (9.52)	10-3/8 (264)	13-1/16 (331)	10-9/16 (268)	6-7/16 (163)	4-5/8 (117)	5-3/16 (131)	9-7/16 (240)	8-7/8 (225)	12 (305)	7-5/16 (185)
96	$\phi 7/8$ (22.2)	$\phi 1/2$ (12.7)												
120	$\phi 1\text{-}1/8$ (28.58)	$\phi 1/2$ (12.7)	$\phi 1$ (25.4)	$\phi 1/2$ (12.7)	6-7/8 (174)	9-7/16 (239)	10-3/8 (263)	6-5/16 (160)	4-7/16 (112)	5-1/8 (130)	5-13/16 (147)	5-3/16 (132)	8-3/8 (212)	3-5/8 (92)
144	$\phi 1\text{-}1/8$ (28.58)	$\phi 5/8$ (15.88)												
168	$\phi 1\text{-}1/8$ (28.58)	$\phi 5/8$ (15.88)	$\phi 1\text{-}1/8$ (28.58)	$\phi 5/8$ (15.88)	6-15/16 (177)	9-7/16 (239)	10-3/16 (259)	6-5/16 (160)	5-3/16 (132)	6 (152)	5-13/16 (147)	5-3/16 (132)	8-3/8 (212)	3-5/8 (92)
192	$\phi 1\text{-}1/8$ (28.58)	$\phi 5/8$ (15.88)												



version 201908

Product Model: (H,Y)VAHP240B52S
 Specifications subject to change