

SUBMITTAL DATA SHEET

(H,Y)VAHP288B52S

Consists of two (H,Y)VAHP144B52S modules

Job Name:

Location:

Purchaser:

Order No.:

Engineer:

Construction:

Submitted To:

Approval:

Submitted By:

Date:

Unit Designation:

Schedule No.:



12 Ton + 12 Ton

FEATURES:

(Heat Pump 575V)

- All Inverter Compressors deliver maximum efficiency at part load conditions and provide comfortable individual zone control.
- Large-capacity single outdoor modules (up to 16 Ton) increase flexibility, space and weight savings, and reduce piping and electrical connections.
- Design flexibility with long piping lengths up to 3,280 ft. total and up to 360 ft. vertical distance between Outdoor Units and Indoor Units
- Provide efficient heating down to -13°F and cooling down to 23°F ambient air temperature. (Cooling down to 23°F as standard and down to -10°F with accessories installed)
- Space efficient and lightweight – provides flexibility in system layout and installation
- Maintenance friendly design of Outdoor Unit – all components accessible from the front
- Priority Cooling Control option – prioritizes demand for cooling operation mode over heating operation mode.

ACCESSORIES: (for detailed information, see VRF Engineering Manual and separate documentation for each accessory)

- Piping Kit
- Snow Protection Hood
- Protection Net
- Pipe Adapter
- Low Ambient Kit

			24 Ton
Model	575V, 3PH, 60Hz		(H,Y)VAHP288B52S
Unit Combination	575V, 3PH, 60Hz		(H,Y)VAHP144B52S
	Unit A		(H,Y)VAHP144B52S
Nominal Capacity	Cooling	Btu/h	288,000
	Heating	Btu/h	324,000
Performance *1 (Non-duct / Duct)	Rated Cooling Capacity	Btu/h	276,000
	EER	Btu/Wh	9.5 / 9.9
	IEER	Btu/Wh	19.4 / 20.7
	Rated Heating Capacity	Btu/h	308,000
	COP	W/W	3.42 / 3.42
	Sound Pressure *3	dB(A)	68
Operating *2 Temperature Range	Cooling	°F DB [°C DB]	23 ~ 122 [-5 ~ 50]
	Heating	°F WB [°C WB]	-13 ~ 59 [-25 ~ 15]
Refrigerant	Type		R410A
	Factory Charge Amount (Unit A + Unit B)	lb. [kg]	23.6+23.6 [10.7+10.7]
Refrigerant Piping	Liquid Pipe	in. [mm]	3/4 [19.05]
	Gas Pipe	in. [mm]	1-3/8 [34.93]
Connection *2 Ratio	Connection Ratio Range	%	130(150) - 55
	Number of Indoor Units (Recommended / Maximum)	Qty.	20 / 59
Electrical	Minimum Circuit Amps, MCA (Unit A + Unit B)	A	24+24
	Maximum Overcurrent Protection, MOP (Unit A + Unit B)	A	30+30
Compressor	Compressor Type		Inverter
	Operation Range	%	3 ~ 100
Fan	Fan Type		Propeller Fan x4
	Airflow Rate (Unit A + Unit B)	cfm [m ³ /min]	9037+9037 [256+256]
	External Static Pressure *6	in. WG [Pa]	0 ~ 0.32 [0 ~ 80]
Unit	Dimensions (H x W x D)	in. [mm]	66-1/4 x 98-1/16 x 30-1/2 [1683 x 2490 x 774]
	Weight (Unit A + Unit B)	lb. [kg]	728+728 [330+330]

NOTES:

*1. Capacity and efficiency ratings are based on the AHRI 1230 test standard.

*2. For more details, refer to the engineering manual.

*3. Sound pressure: 3.3 ft. [1 m] from the air outlet side, 4.9 ft. [1.5 m] from floor level.

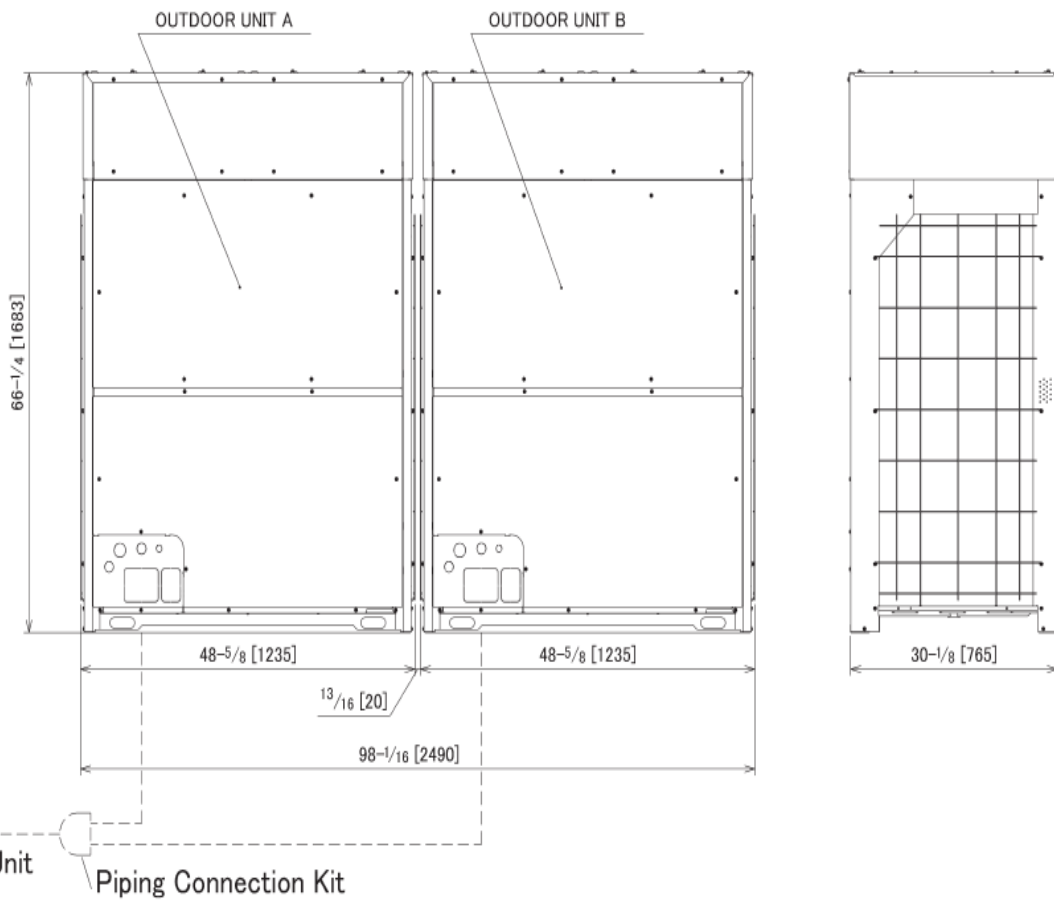
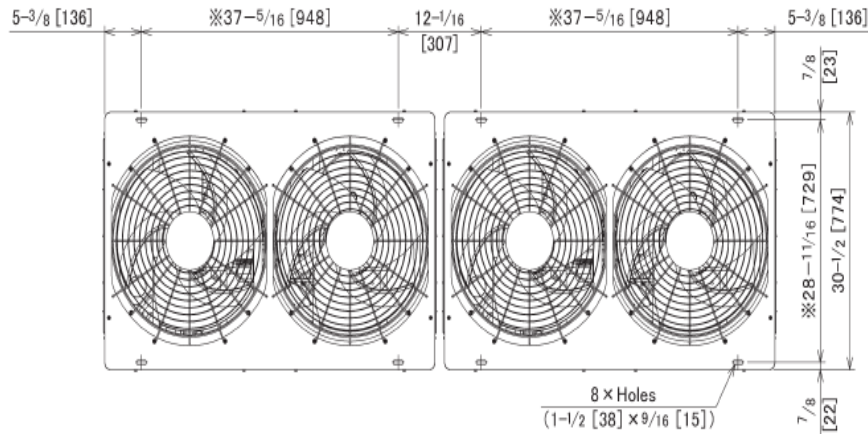
version 201908

System Dimensions

Heat Pump Model: (Y,H)VAHP288B52S

Unit: inch (mm)

inch (mm)



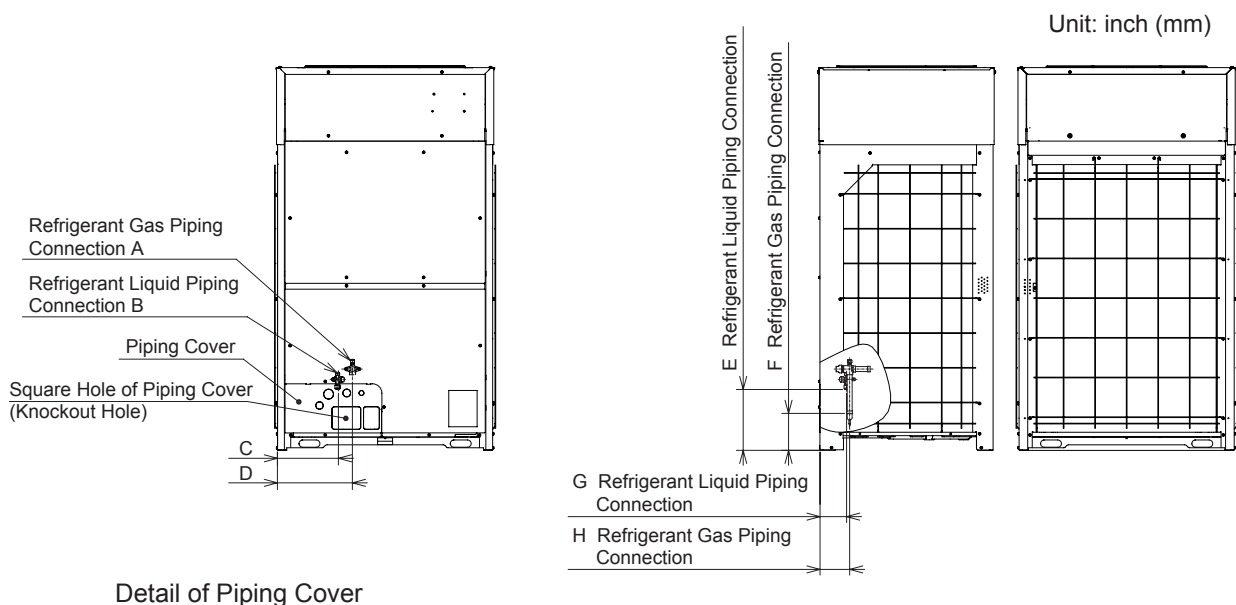
Outdoor Unit Model	Combination of Base Unit Models	
	OUTDOOR UNIT A	OUTDOOR UNIT B
(H,Y)VAHP288B52S	(H,Y)VAHP144B52S	(H,Y)VAHP144B52S

version 201908

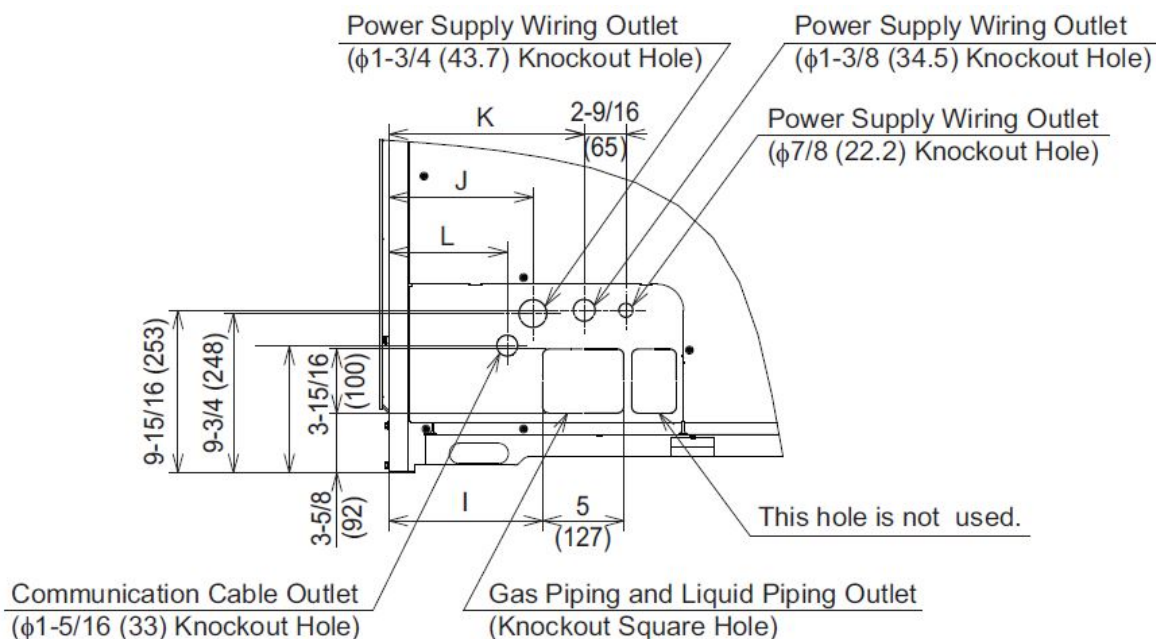
NOTES:

- Outdoor unit A is the Main unit and outdoor unit B is the Sub unit. The Main unit is closest in piping to the indoor unit.
- If outdoor modules have different capacities, the largest capacity unit will be outdoor unit A (Main) and outdoor unit B (Sub) will be the smallest capacity. A ≥ B.
- Piping connection kits and piping sizes are identified in the "Installation Manual".
- The dimensions marked with an asterisk (*) indicate the mounting pitch dimensions for anchor bolts.
- This drawing shows that there is 13/16 inch [20mm] clearance between the outdoor units. If Snow Protection Hoods are installed on the outdoor units, a 2 inches [50mm] minimum clearance is required.
- Modifications to the anchoring locations for the outdoor units are required for applications with clearances greater than 13/16 inch [20mm] between outdoor modules.
- "Dimensional Drawing of Base Unit" is used for dimensions of the piping and wiring outlets.

Piping Connection Dimensions



Detail of Piping Cover



Refrigerant Piping Connection and Wiring Outlet

Model	Gas	Liquid	A	B	C	D	E	F	G	H	I	J	K	L
72	φ7/8 (22.2)	φ1/2 (12.7)	φ7/8 (22.2)	φ3/8 (9.52)	10-3/8 (264)	13-1/16 (331)	10-9/16 (268)	6-7/16 (163)	4-5/8 (117)	5-3/16 (131)	9-7/16 (240)	8-7/8 (225)	12 (305)	7-5/16 (185)
96	φ7/8 (22.2)	φ1/2 (12.7)												
120	φ1-1/8 (28.58)	φ1/2 (12.7)	φ1 (25.4)	φ1/2 (12.7)	6-7/8 (174)	9-7/16 (239)	10-3/8 (263)	6-5/16 (160)	4-7/16 (112)	5-1/8 (130)	5-13/16 (147)	5-3/16 (132)	8-3/8 (212)	3-5/8 (92)
144	φ1-1/8 (28.58)	φ5/8 (15.88)												
168	φ1-1/8 (28.58)	φ5/8 (15.88)	φ1-1/8 (28.58)	φ5/8 (15.88)	6-15/16 (177)	9-7/16 (239)	10-3/16 (259)	6-5/16 (160)	5-3/16 (132)	6 (152)	5-13/16 (147)	5-3/16 (132)	8-3/8 (212)	3-5/8 (92)
192	φ1-1/8 (28.58)	φ5/8 (15.88)												



version 201908

Product Model: (H,Y)VAHP288B52S
Specifications subject to change